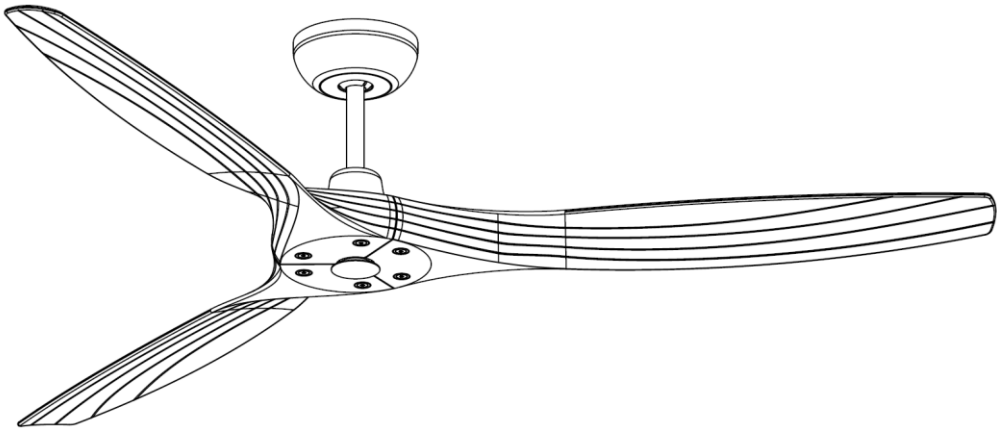




# 60" MAVERICK DC CEILING FAN

## Installation Manual



**20527/13**  
**Satin Nickel**

**20527/14**  
**Oil Rubbed Bronze**

**Remote control included**

### **YOUR BRILLIANT 60" MAVERICK DC CEILING FAN:**

Congratulations on the purchase of your new quality Brilliant MAVERICK DC Ceiling Fan. Before installation, it is most important that you read and follow the instructions in this use and care booklet, even if you feel you are quite familiar with this type of product.

Find a safe place and keep this booklet handy for future reference.

**THIS IS NOT A DIY PRODUCT.**  
**THIS PRODUCT MUST BE INSTALLED BY A QUALIFIED ELECTRICIAN**

## IMPORTANT SAFEGUARDS:

Read all instructions carefully, even if you feel you are quite familiar with this type of appliance. When using electrical appliances, in order to reduce the risk of fire, electric shock, and/or injury, these basic safety precautions should always be followed:

1. This appliance **MUST** be installed by a Qualified Electrical Contractor in accordance with the local regulations, and all local, state and national electrical codes. Any alterations or additions to building wiring must be completed by a licensed electrical mechanic, or person authorised by legislation to work on the fixed wiring of any electrical installation.
2. The ceiling fan must be connected to a 240V AC 50Hz power supply.
3. All electrical work must only be undertaken after disconnection of the power by removing fuses or turning off the circuit breaker, to ensure all pole isolation of the electrical supply.
4. The fan must be earthed.
5. The fan must be installed so that the blades are **at least** 2.1 metres above the floor.
6. The structure that the ceiling fan is connected to must be capable of supporting a weight of at least 45kg. The fixing must be able to support the moving weight of the fan and must not twist or work loose.
7. Make sure that the installation site will not allow the rotating fan blades to come into contact with any object and that there is a minimum clearance of 150mm (6") from the blade tip to the wall or ceiling. Please note that the bigger this clearance is the better the airflow from your fan will be.
8. **DO NOT** use outdoors. Installing the fan in a position where it could be exposed to water or moisture is dangerous. Refer to Warranty terms for Alfresco use.
9. **DO NOT** connect the fan motor to a dimmer switch. This may give an unsatisfactory performance (motor hum) and cause damage to the motor. Use **ONLY** the provided remote controller for fan speed control.
10. **DO NOT** connect the LED fan light to a dimmer switch, the LED light is Non-dimmable.
11. This appliance is not intended for use by young children or infirm persons without supervision.
12. Young children should be supervised to ensure that they **DO NOT** play with the appliance.
13. It is not recommended that ceiling fans and gas appliances be operated in the same room at the same time.
14. The fan must be turned off and stopped completely before reversing the fan direction. This will prevent any damage to the motor of the fan or controller (if installed).
15. Do not insert anything into the fan blades whilst they are spinning. This will damage the blades and upset the balance of the fan causing the unit to wobble.
16. After the fan is completely installed make sure that all base and fan blade fixings are secured and tightened to prevent any problems.
17. A blade balancing kit is included. Ensure blades are balanced immediately after installation to reduce wobble and noise.
18. Because of the fan's natural movement, some connections may loosen. Check the support connections, brackets and blade attachments twice a year to make sure they remain secured. If any are loose, tighten.
19. An all-pole disconnection incorporated in the fixed wiring is to be provided, such as a n all-pole switch or a supply cord fitted with a plug.

## IMPORTANT NOTE:

**The important safeguards and instructions given in this manual are not meant to cover all possible conditions and situations that may occur. It must be understood that common sense, caution and care are factors which cannot be built into any product. The persons caring for and using the unit must supply these factors.**

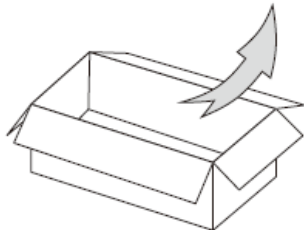
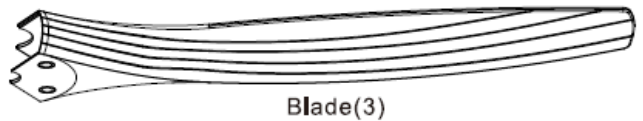
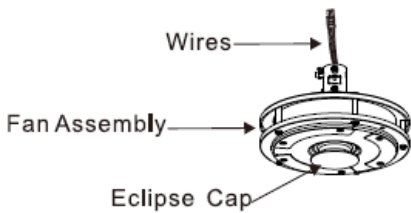
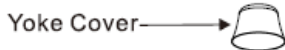
## FAULT FINDER:

- Always check the "Trouble Shooting Checklist" included in this booklet before seeking warranty claim.
- Mechanical noise may be noticed on installation. Allow at least 8 hours settling-in period.
- Some fans may wobble more than others, even if they are the same models. This does not necessarily indicate a fault.

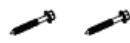





**PREPARATION:**




1. Unpack your ceiling fan carefully, then remove all parts and components, and lay on a cloth or soft surface to avoid damage. DO NOT lay the motor housing on its side, the housing may get damaged.
2. Before commencing installation, check that all parts are included.

**NB: You may need to remove all foam packaging material to ensure there are no missing components.**



Unit pack / all in one box

<b>Hardware Bag</b>	
<b>For Mounting Bracket:</b>	
Wood Screw	x2 
<b>For Blade Installation:</b>	
<b>A. Blade Screw x 7 (Top Side)</b> (one spare screw included)	
	
<b>B. Blade Screw x 7 (Bottom Side)</b> (one spare screw included)	
	
<b>L type hexagon wrench x 1</b>	
	
<b>Warning:</b> Bag A: for top blade by Phillips screwdriver Bag B: for bottom blade by hexagon wrench See Blade assembly in Page 3	
<b>For Blade Balance :</b>	
Balanced Slide x 1	
Weight Block (3G x 5)	

<b>Remote Control (12V Battery Included)</b>	
	
<b>Hardware Bag</b>	
Wood Screw x 2	
Wall plug anchor x 2	

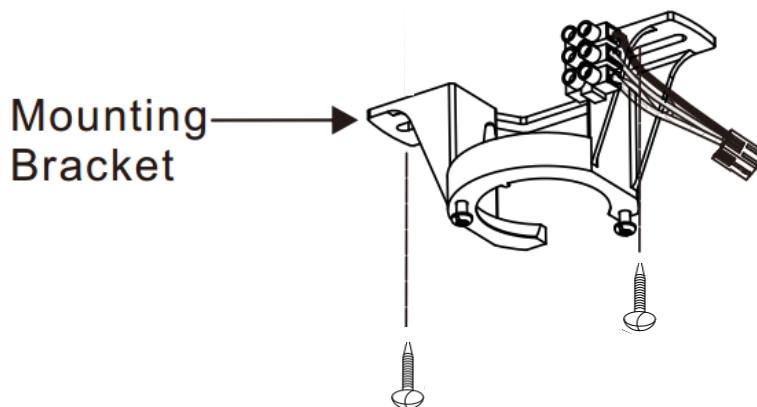
## INSTALLATION AND ASSEMBLY

CAUTION: Before installing the fan make sure you have turned OFF the electricity supply.

### SELECTING A LOCATION:

1. Choose a location for mounting the fan where the blades will have more than 2.1 metres of clearance from the floor.
2. Make sure that the installation site will not allow the rotating fan blades to come into contact with any object and that there is a minimum clearance of 150mm (6") from the blade tip to the wall or ceiling. Please note that the bigger this clearance is the better the airflow from your fan will be.
3. **DO NOT** use outdoors. Installing the fan in a position where it could be exposed to water or moisture is dangerous.
4. If the location you have chosen does not have a suitable support beam capable of supporting 45Kg, install a brace 2" x 4" between the ceiling joists as a support medium.
5. Secure the hanging bracket to the ceiling joist or suitable structure that is capable of carrying a load of at least 45Kg, with the two long fixing screws provided. Ensure that at least 30mm of the screw is threaded into the support.

**NB: The fixing screws included are designed for use when ceiling fan is secured onto timber joists. For all other surfaces, additional and suitable fixing screws for that surface will need to be purchased.**



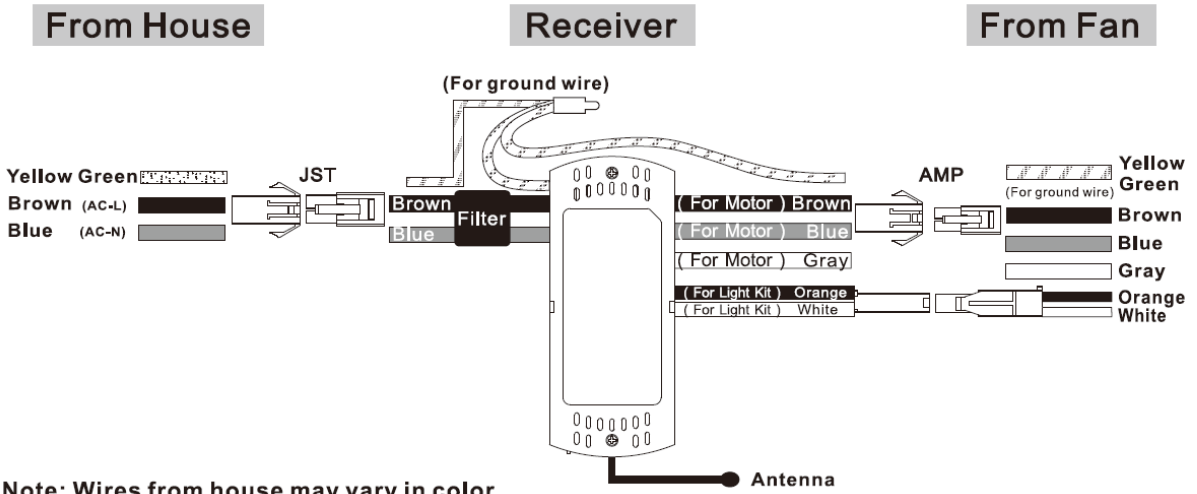
# MUST BE INSTALLED BY A QUALIFIED ELECTRICIAN

## ELECTRICAL CONNECTIONS:

1. Ensure the power is off when installing this fan.
2. Connect the Live (L), Neutral (N) and Earth (E) according to the markings on the Terminal Block.

- L ← Brown (From house)
- N ← Blue (From house)
- ⊕ ← Green/ yellow (From house)

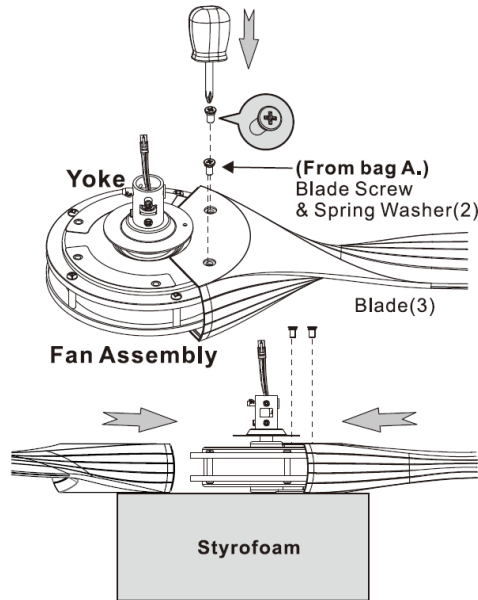
For your convenience, and to assist in easy installation & cleaning, your ceiling fan is connected with Brilliant's easy connect system. Simply connect the male and female couplings, and then ensure remote control receiver and all excess wiring is retained inside the ceiling canopy. Please also read remote controller instruction manual before installation.



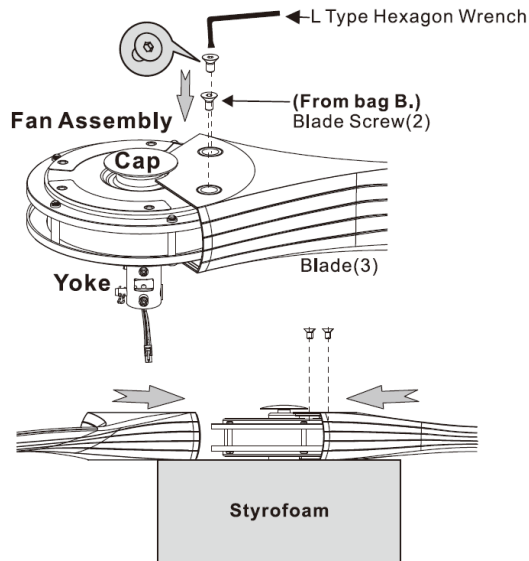
Note: Wires from house may vary in color.

**BLADE ATTACHMENT:**

1. Take out the blades from box carefully.
2. Place fan assembly on Styrofoam with yoke up. Attach blades to fan assembly by using screws & spring washers from hardware bag marked “A” on top of fan assembly.



3. Place fan assembly on Styrofoam with yoke down. Attach screws (provided from hardware bag marked “B”) to the bottom of fan assembly by using L Type Hexagon Wrench (provided from hardware bag).



4. Repeat the above steps until all 3 blades are installed firmly.

**INITIAL ASSEMBLY:**

1. Loosen the jam screw from the hanging ball and pull it down, remove the pin from the downrod and keep it for step 6 (Fig. 1).
2. Remove the hanging ball and keep it for step 6 (Fig. 2).
3. Remove the cotter pin and cross pin from the downrod and keep them for step 8 (Fig. 3).

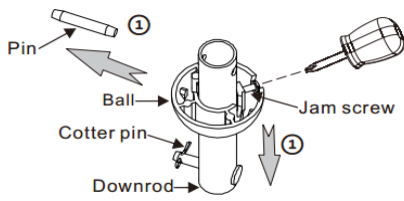


Fig. 1

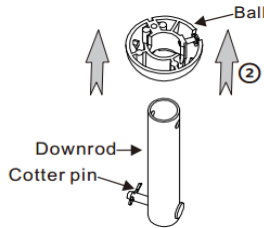


Fig. 2

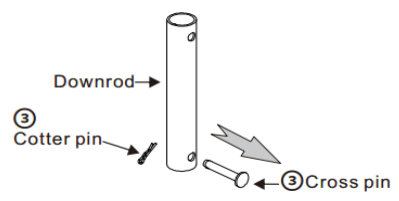


Fig. 3

4. Loosen the two downrod jam screws at the yoke (above the motor) – do not remove (Fig. 4).
5. Insert the downrod through the yoke cover, Deco Ring and canopy, and feed the motor wires and plug through the downrod (Fig. 5).

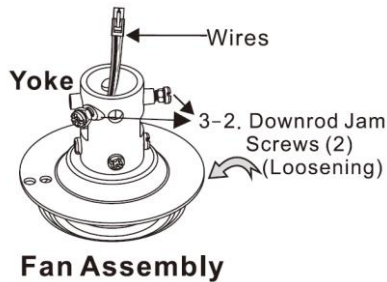


Fig. 4

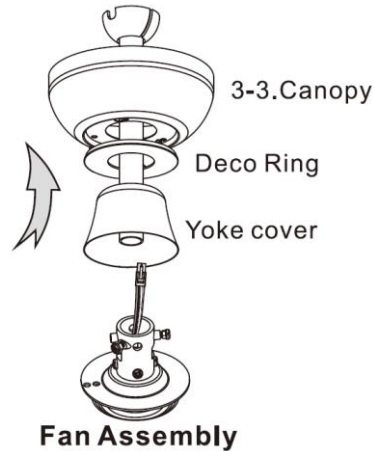


Fig. 5

6. Insert the hanging ball through the downrod and insert the pin back into the downrod. (as removed in step 1 and 2) (Fig. 6).
7. Tighten the jam screw back into the hanging ball and ensure it is tight (Fig. 6).
8. Insert the downrod assembly into the yoke, insert the cross pin through the yoke and downrod, securing it with the cotter pin. (as removed in step 3) (Fig. 7).

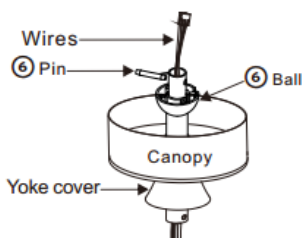


Fig. 6

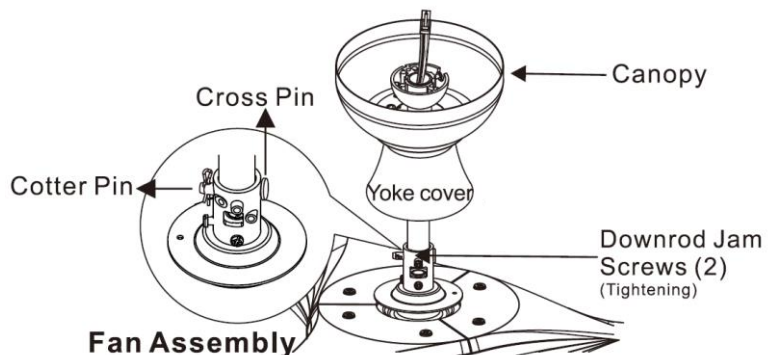


Fig. 7

10. Make sure position of two Hex nuts are on the side of screw head. Then tighten 2 jam screws (Fig. 8).
11. Using spanner to tighten two Hex nuts so that jam screws were secured. Finally pull down the yoke cover to cover the yoke (Fig. 9).

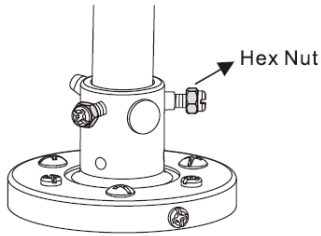


Fig. 8

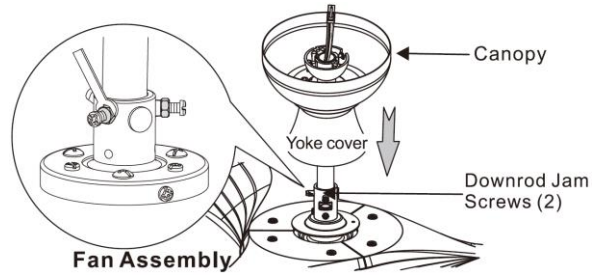
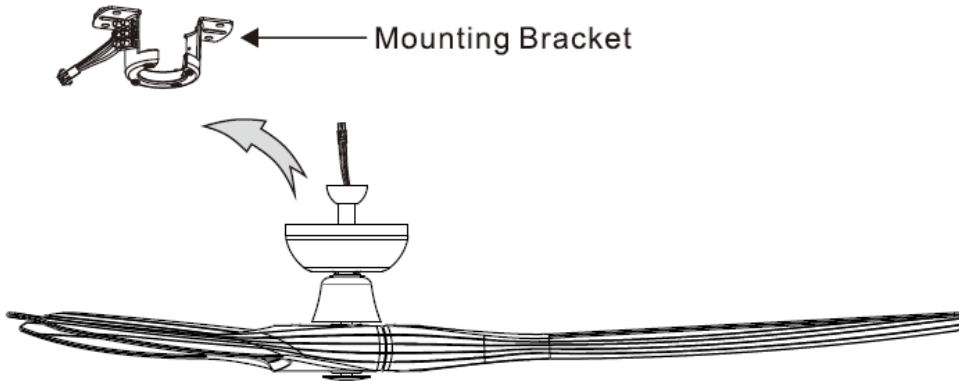


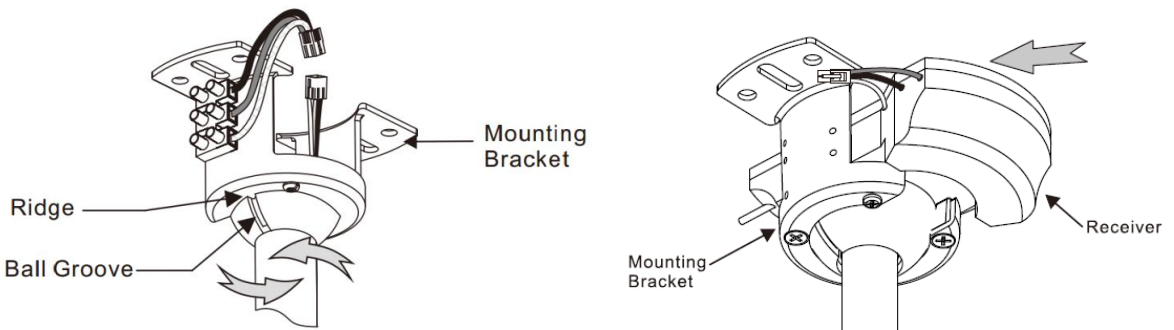
Fig. 9

### Connecting the DC Receiver

1. Lift the fan assembly onto the mounting bracket.



2. Rotate the fan assembly so that the groove on the ball aligns with the ridge on the mounting bracket

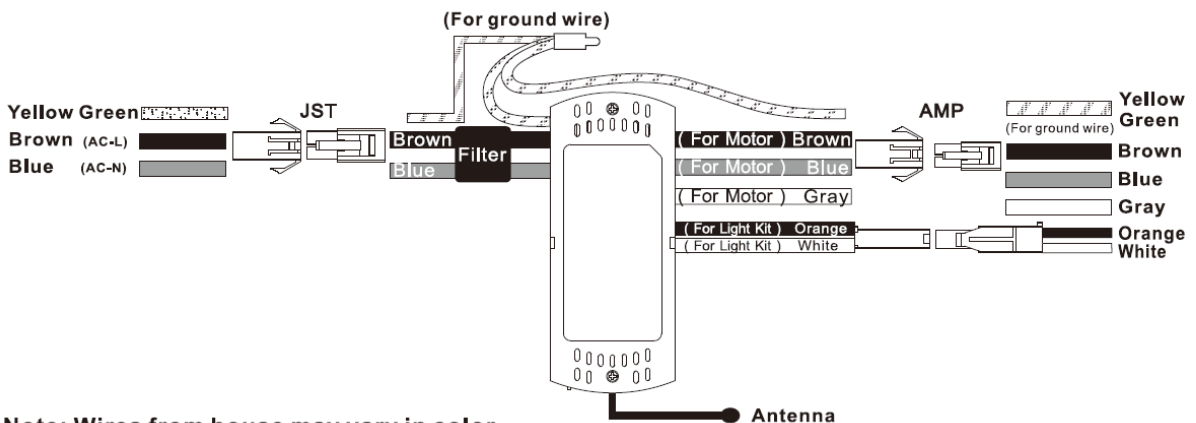


3. Connect the fan assembly motor plug and light plug to the receiver plugs. Connect receiver plugs to the mounting bracket plug. Ensure they are connected firmly.

**From House**

**Receiver**

**From Fan**

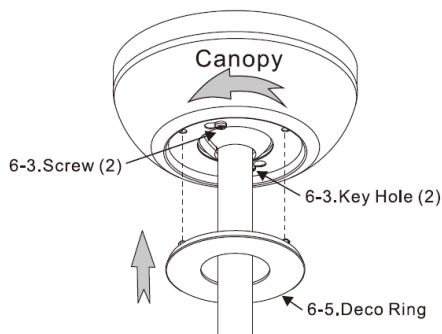


Note: Wires from house may vary in color.



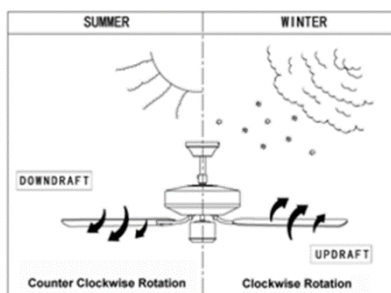
## FITTING THE CANOPY

1. Place the canopy over the bracket and make sure all excess wiring is retained inside the ceiling canopy.
2. Align the canopy key holes with the screws and then tighten firmly.
3. Fit Deco Ring by aligning clips on Deco Ring with 3 holes in canopy.
4. With all electrical connections made, and fan fully installed the power can be turned on.



## REVERSE FUNCTION:

The “Summer / Winter” reverse function is included in the Remote control to make the fan rotate in an anti-clockwise direction during summer. In winter, this switch should be reversed, so that the blades now move in a clockwise direction.



## CARE & CLEANING:

- Periodic cleaning of your ceiling fan is the only maintenance required.
- Use a soft brush or lint free cloth to avoid scratching the finish. Please turn off electricity when you do so.
- Do not use water when cleaning your ceiling fan. It could damage the motor or the wooden blades and create the possibility of an electrical shock.
- The motor has a permanently lubricated ball bearing and as such, is maintenance free.

## NOISE:

The manufacturer warranty covers actual faults that may develop, but NOT minor complaints, e.g. motor operation noise - ALL ELECTRIC MOTORS ARE AUDIBLE TO SOME EXTENT; this is more obvious when the fan is operating at low speeds.

## WOBBLE:

- Ceiling fans are designed to move during operation because they are not generally rigidly mounted
- Movement of a couple of centimetres is acceptable for safe operation.
- Balancing kits included could be used to adjust the balancing.

## NORMAL WEAR AND TEAR:

Threaded components working slightly loose or blade carriers even slightly bent due to vigorous cleaning or bumping can cause extra wobble and noise. THIS IS NOT COVERED UNDER WARRANTY but a little care and maintenance can reduce or prevent this problem.

## REMOTE CONTROL SETTING and OPERATION FOR DC MOTOR FANS

After completing the ceiling fan installation, install the 12V battery (included) in the hand held remote control (refer to below diagram). The fan is ready for use with the remote control without setting up.

NB: Your fan is equipped with an automatically learning remote control. The remote control has been preset. The serial number sticker is paired on both the transmitter and receiver.

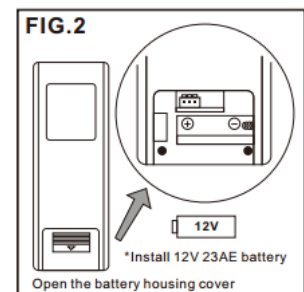
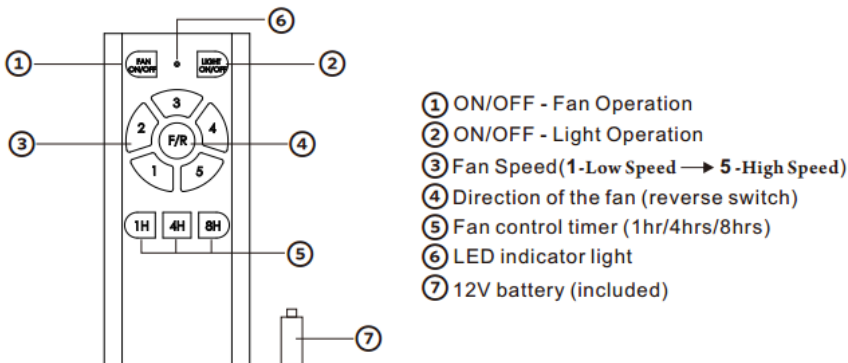
In the event the fan does not operate, follow the remote control setting up steps below.

### Remote setup:

1. Turn off the main power and wait for at least 10 seconds.
2. Switch the power on, at the same time hold down the Fan On/Fan Off button until the receiver (inside the fan assembly) beeps.
3. Successful connection will also result in the receiver beeps.
4. Setup is completed.

**NB:** For best performance the remote control should be used within a 10m range of the fan.

If power is disconnected whilst operating - upon reconnection of power, the fan will resume the last operation mode it was in.



**TROUBLESHOOTING:**

TROUBLE	POSSIBLE CAUSE	SUGGESTED REMEDY
Fan will not start	A) Fuse blown or circuit breaker tripped	A) Check fuses and circuit breakers
	B) Loose wire connections or plugs to fan/controller	B) Check wire connections and ensure plugs are positively connected
Fan wobbles	A) Fan blades are not horizontal to the ceiling	A) Retighten all screws on blades. <b>Do not</b> make any adjustments by applying pressure up or down on blades
	B) Blade screws are loose	B) Make sure all screws are tightened
Fan sounds noisy	A) Loose fan blades	A) Retighten all screws on blades.
	B) Ceiling fan not secured against ceiling	B) Retighten all screws on the mounting bracket
Mechanical noise	A) Fan has not settled in fully	A) Allow at least 8 hours of use for the fan to set in

**TECHNICAL DATA:**

MODEL NUMBER	RATED VOLTAGE	RATED POWER FOR DC MOTOR	Dimming Function
20527	240VAC	37W	NA

**WARRANTY CONDITIONS:**

Installation must be performed by a qualified and licensed electrician. The warranty will not apply if the ceiling fan is installed by other than a licensed electrician. Problems arising from incorrect installation are not covered by warranty. The cost of repairs and / or service call arising from incorrect installation, not due to faulty material or workmanship in accordance with the Brilliant warranty, will be payable by the purchaser at the time of repair.

This warranty is only valid for appliances used according to the manufacturer’s instructions. The manufacturer does not accept liability for any direct or consequential damage, loss or other expense arising from misuse or incorrect installation and operation of the appliance. Warranty will only be provided where proof of qualified electrical installation is provided. Eg. Electrical Safety Certificate.

The manufacturer will not accept in home expenses unless authorisation is granted prior to work commencing, and a CA number allocated.

The in-home component of this warranty covers only actual electrical work undertaken, on or to the ceiling fan.

Where a service call is undertaken and no fault is found with the ceiling fan, or where the fault is not covered under the terms of this warranty, a call-out fee may be charged.

This product is not designed or intended for industrial or commercial use.



## Brilliant Fan Warranty

**Please note, this warranty voids any other warranties supplied with this product and complies with the new consumer guarantee requirements.**

### **WARRANTY:**

The benefits conferred by this warranty are in addition to all implied warranties, other rights and remedies in respect of the product, which the consumer has under Australian Consumer Law.

The original purchaser of this Brilliant Ceiling Fan is provided with the following warranty subject to the Brilliant Warranty terms and conditions as found on the Brilliant website and the following conditions

Brilliant Lighting (Aust) Pty Ltd warrants this ceiling fans motor for a period of 6 years from the date of purchase, the first 3 years are covered by an in-home warranty. All parts deemed defective in workmanship or materials will be replaced free of charge. Any remote control provided with the fan will be warranted for a period of 2 years.

This warranty is in addition to any other rights and remedies of the customer under any law. In applications not intended for household, personal or domestic use, liability is limited to replacement or reimbursement of product only.

The warranted use of fans outdoors are limited to Enclosed Alfresco like areas where conditions are similar to indoor installations.

The warranty conditions for fans installed in Enclosed Alfresco areas are as follows:

- \* Fan must be shielded from wind and rain (enclosed on all sides, blades must be minimum of 1.5m from edge of eave/roof).
- \* The warranty will cover open circuit motor faults, and remote control faults if not related to outdoor exposure.
- \* The Warranty will not cover outdoor related issues such as rusting, or failure clearly caused by water, moisture or wind.
- \* The Warranty will not cover external appearance or finish of any part of the ceiling fan.
- \* The Warranty will not cover wooden blades. These are recommended only to be used indoors.

The warranty does not cover Ripple Control noise/interference (identified by a periodic or intermittent hum). This must be addressed with your energy service provider.

The warranty does not cover noises or faults due to poor installation or failure to balance fans as per instructions.

*Our goods come with guarantees that cannot be excluded under the Australian Consumer Law. You are entitled to a replacement or refund for a major failure and compensation for any other reasonably foreseeable loss or damage. You are also entitled to have the goods repaired or replaced if goods fail to be of acceptable quality and the failure does not amount to a major failure.*

Any claim under this warranty must be made within 6 years of the date of purchase of the product. To make a warranty claim please refer to the Warranty Claim Form on the Brilliant Website.

This warranty is given by:

**Brilliant Lighting (Aust) Pty. Ltd.**

**ABN 37 006 203 694**

**956 Stud Road Rowville, VIC 3178**

**Phone: 03 9765 2555**

**Email: [info@brilliantlighting.com.au](mailto:info@brilliantlighting.com.au)**

**Website: [www.brilliantlighting.com.au](http://www.brilliantlighting.com.au)**