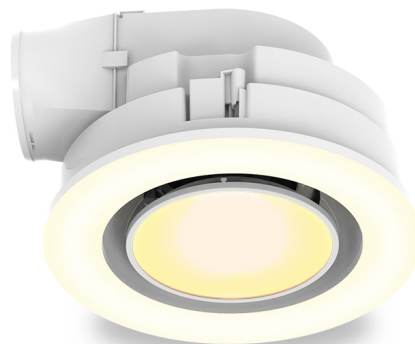


Venus

- Powerful 65W ball bearing motor for superior reliability
- Built in 80°C thermal cutout switch for added safety
- Infrared tube provides instant heat
- Outlet grill with integrated draught stopper for maximum efficiency
- 3-year in-home warranty for peace of mind
- Includes integrated draught stopper, wall switches, 1.5m duct and grill outlet



ORDERING INFORMATION

Order code	16775
Description	800W Circular Infrared bathroom heater & exhaust w/ LED panels - white - tri-cct
Item Code	VENUS/WH

MECHANICAL

Product Finish	Matt
Fitting Colour	White
IC Rating	Do not cover
Installation Type	Recessed
IP Rating	IPx2

ELECTRICAL

Electrical Rating	Class I
Input Frequency	50 Hz
Input voltage	230Vac
In Australia the Input voltage is defined as 230Vac -6%/+10%. This effectively means that the voltage range of these products are 216Vac - 253Vac or 240V +6%	
Working Temp Range	-10 to 40 °C

LAMP

CCT Configuration	Single
Colour Rendering Index (CRI)	>80

COLOUR TEMPERATURE

CCT	4000 K
CCT Colour	Cool White

AIR MOVEMENT

Outlet	150 mm
Noise level	45 dB
Motor Wattage	65 W
Motor Type	Ball bearing
Fan Type	Centrifugal
Air extraction	550 m3/hr

HEAT

Heater Type	800W Infrared Heat Source
--------------------	---------------------------

COMPLIANCE

Product Design Life	10 years
The product design life relates to the total product life which includes LEDs, drivers and the enclosure. This is different to the LED lifetime which only refers to the economical lifetime of the LEDs at which time the lumen output has dropped below the L Value. The product design life is calculated at the maximum ambient or working temperature of the product and takes into account the Daily Use.	
Daily Use	2 hrs
The Daily Use is the recommended time required to meet the product's design life. Installations can exceed this time, however the product design life will be reduced proportionally.	

Standards	AS/NZS 60335.1 AS/NZS 60335.2.80 AS/NZS 60335.2.30 AS/NZS 60598.1 AS/NZS 60598.2.2 AS CISPR 15 AS/NZS 4268 AS/NZS CISPR 14
------------------	---

WARRANTY

Domestic Use Warranty	3 Onsite (Total 3 Years)
Warranty Operating Hours	2500 hrs

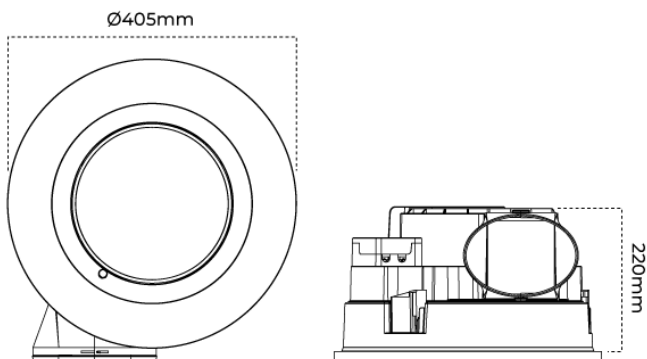
This product is provided with a warranty up until the stated warranty period or until the stated warranty operating hours has been reached (whichever occurs first).

DIMENSIONS

Minimum Ceiling Depth	230 mm
Cutout	390 mm
Product Height	200 mm
Product Length	400 mm
Product Width	400 mm

LINE DRAWINGS

VENUS/WH



ACCESSORIES

Order code	10360
Description	800W Circular IR Heat Tube to suit Venus Bathroom Heater
Item Code	AT9490/TUBE