

atom'air

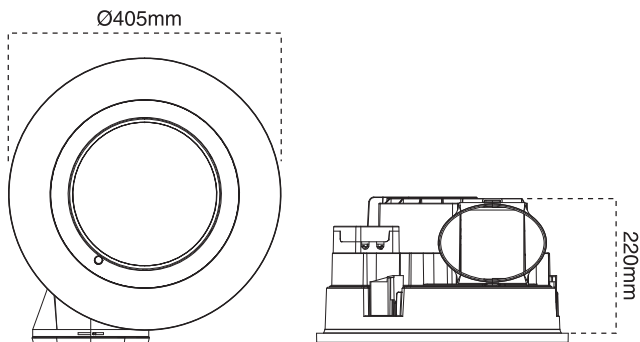
INSTALLATION SHEET

EXHAUST FAN

VENUS/WH

800W Circular Infrared bathroom heater & exhaust with 24W LED panel - white - TRI-CCT

Dimensions



Product specifications

Voltage	220-240V~50Hz
IP rating	IPX2
Heat	800 round IR heat tube
Exhaust	65W ball bearing motor
Fan type	Centrifugal fan
Noise level	45dB
Outlet	150mm
Air extraction	550m ³ /hr
Connection	Terminal block
Cutout	390mm
Warranty	3 Years

Lamp specifications

Light	24W LED panel
Lumens	1400lm, 1500lm, 1450lm
CCT	3000K, 4000K, 5000K
Beam angle	120°
CRI	>80

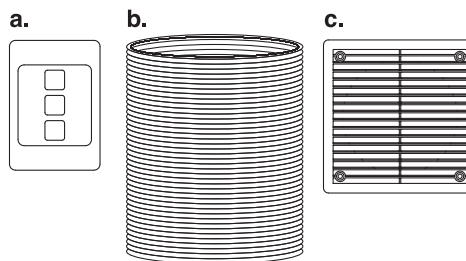
SAFETY INFORMATION

- Fitting must be installed as per AS/NZS3000 regulations.
- Wiring must be completed by a qualified electrician.
- Ensure all electrical connections are secure and that there are no loose strands.
- Do not install this product outdoors or on a damp or newly plastered ceilings.
- Always ensure there is adequate ventilation around the unit at all times
- Ceiling insulation shall be kept well clear of the unit.
- The vent and duct of the unit must not be laid together with the vent and duct of air-fueled water heater or other open-fire appliances into the same duct.

Supplied Components

- Main body with fascia
- Cutout template with instructions
- 3 gang wall plate (a)
- 1.5m length of 150mm duct (b)
- Outlet grill with duct clamp (c)

NOT INCLUDED: Mains supply cable and interconnecting cables for switch plate



Installation

Read instructions and check you have all the tools and accessories to complete the installation correctly. Isolate the mains power supply before commencing installation.

1. Before commencing, check ceiling space for obstructions such as ceiling joists and to ensure adequate height clearance for housing.
2. Locate a vent position (above the ceiling) on the wall, and then cut a 155mm diameter hole.
3. Put one end of the 150mm diameter vent-duct into the vent hole and seal the space around the hole using a suitable sealant and cowl where necessary. Ensure the distance between the centre of the installation and the outside vent does not exceed 1.5m (see Figure 1).
4. Using the cutout template, mark the mounting hole on the ceiling. Ensure adequate distances as indicated in clearance table.
5. Cut hole along the marked line using a jigsaw, keyhole saw, or hacksaw.
6. Remove fascia by pulling away from unit and removing springs from slots. Disconnect plugs between fascia and body.
7. Remove the terminal cover on the heater unit and fit the wires to the nominated location on the terminal block on the back of wall switch plate. Connect the wiring to the three switches as shown in Figure 2.
8. Use supplied clamp to secure the duct to the ducting outlet.
9. Insert the heater assembly into the opening, ensuring the side springs are pulled inward.
10. Push the side clips outward and tighten screws to secure to ceiling.
11. Reconnect plugs between fascia and body. Put fascia retaining springs through slots on the unit to secure the fascia. Screw fascia to body and cover with silicone cap provided.
12. Clean the fascia in place.
13. Fix the switch panel onto the wall. If it is necessary to run the wiring on the outside of the wall, use a suitable conduit and fixings to properly locate and hold the wiring used.

Important

- The unit should be mounted outside the shower cubicle.
- For the exhaust fan to work efficiently, replacement air of a volume equivalent to what is being extracted must be able to enter the room. This is generally via an open window or drawn under the door. The fan will not function efficiently in an airtight room.
- This product is designed for installation in a flat ceiling only. Do not mount it on a sloping or vertical surface.
- Ensure ceiling insulation or frame does not obstruct airflow

Wiring

The bathroom heater unit must be wired through either a plug and socket or an all-pole disconnecting switch (SW1) in accordance with Australian Wiring Rules AS/NZS3000. Note: This unit is fitted with a thermostat switch which will operate to automatically switch the fan on in the event that the internal temperature of the unit exceeds 60°C.

Clearance table

Above ground	2.3m
From rooftop	240mm
From side walls	250mm

Figure 1

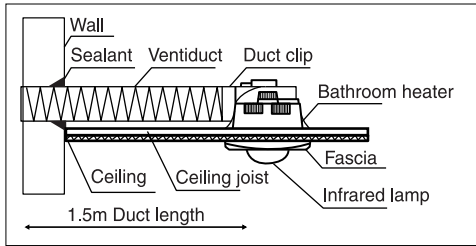
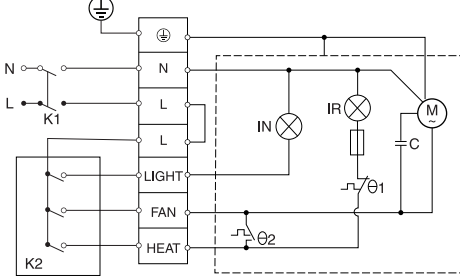


Figure 2



Warranty

Atom products are distributed in Australia by Atom Pty Ltd (Atom). The Australian Consumer Law as well as other Australian laws guarantee certain conditions, warranties and undertakings, and give you other legal rights, in relation to the quality and fitness for purpose of Atom products sold in Australia.

In Australia, our goods come with guarantees that cannot be excluded under the Australian Consumer Law. You are entitled to a replacement or refund for a major failure and compensation for any other reasonably foreseeable loss or damage. You are also entitled to have the goods repaired or replaced if the goods fail to be of acceptable quality and the failure does not amount to a major failure. What constitutes a major failure is set out in the Australian Consumer Law.

Nothing in this Warranty purports to modify or exclude the conditions, warranties and undertakings, and other legal rights, under the Australian Competition and Consumer Act and other Australian laws. Atom products are warranted in Australia for a period specified on packaging from the date of delivery of the product, provided that the products are properly stored, installed, used and maintained in accordance with the instructions contained within their manual.

Products that have been altered in any way or used other than in accordance with their instructions are not covered by this Warranty.

This Warranty is not transferable and is valid only in the hands of the purchaser of the product. The warranty does not cover Atom products other than those purchased from Atom. Proof of purchase must be provided to Atom with any warranty claim. Atom recommends that the purchaser attaches their proof of purchase to their product manual.

If you wish to claim under this Warranty, you must, at your own expense, return the product or that part of the product which you believe is defective, and proof of original purchase, your name, address and telephone number and a certificate installation or other document required by the law for the installation of electrical products in the place in which the product was installed, to Atom at the address above within the warranty period from the date of purchase.

Please note that the Warranty does not cover removal or re-installation of the product or that part of the product which you believe is defective.

Atom's total liability under this Warranty is limited to the cost of repair or replacement of the faulty product. Atom may satisfy its obligations under this Warranty in full by repair or replacement of a faulty product. This Warranty does not apply to consumable items such as lamps or batteries or other items that can be classified as consumable.

For the avoidance of any doubt, any and all warranties or conditions which are not guaranteed under the Australian Competition and Consumer Act or the Australian Competition and Consumer Regulations 2010 and which are not expressly included in this Warranty as additional warranties or conditions are excluded.

This Warranty does not cover loss or damage caused by wear and tear, misuse, incorrect installation or operation, failure to clean and maintain, incorrect voltage or non-authorized electrical connections, adverse external conditions (such as power surges and dips, acts of God, exposure to heat, corrosion, insect or vermin infestation), use of non-authorized or defective parts or globes, or to items that have been repaired other than by Atom or a repairer approved by Atom.



Visit our website for more information

16775 V1.1

Atom is a registered brand of Evolt Pty Limited.

IMPORTANT: THIS PRODUCT MUST BE INSTALLED BY A LICENSED ELECTRICIAN

Due to changes in industry standards and Evolt's policy of continual product development, product specifications are subject to change without notice. Images are for illustrative purposes only.

For further information please call Evolt's head office on 1300 4EVOLT (438 658).
 Evolt Pty Limited PO BOX 271 KINGSGROVE NSW 1480
 ABN 83 112 123 529
 www.evolt.com.au

evolt