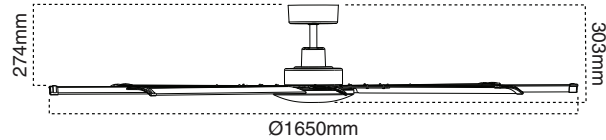


atom'air

INSTALLATION SHEET DC CEILING FAN MOOLOOLAH MINI

8 blade 55W DC ceiling fan

Dimensions



Product specification

Voltage	220-240V~ 50Hz
Power consumption	55W
Electrical classification	I
Motor	Ø153x15mm DC motor
IP rating	IP20
Blades	8
Blade pitch	11°
Airflow	18,000m³/hr (high)
Max ceiling rake	15°
Control	Remote control
Speeds	8
Body material	Metal
Blade material	Aluminium
Warranty	6 years (4 years in-home + 2 years return to base)
Weight	8.45kg (Motor & Blades)

Product range

Code	SKU	Finish	Fan size
MOOLOOLAH/MINI/65/WH	18484	Satin White	65" (1650mm)
MOOLOOLAH/MINI/65/BK	18485	Matt Black	65" (1650mm)

SAFETY INFORMATION

- Fitting must be installed as per AS/NZS3000 regulations.
- Wiring must be completed by a qualified electrician.
- Ensure all electrical connections are secure and that there are no loose strands.
- Do not install this product outdoors or on a damp or newly plastered ceilings.
- An all-pole disconnection switch must be incorporated into the fixed wiring, in accordance with local wiring rules.
- The structure to which the fan is to be mounted must be capable of supporting a weight of 30kg.
- The fan is suitable for indoor and coastal areas provided the fan is fully undercover in a covered and protected area with at least one wall. Fan must be located so that the tip of the blades are no closer than 1.5m to an unprotected area and must be protected from dust, wind moisture and rain.
- The appliance is not to be used by persons (including children) with reduced physical, sensory or mental capabilities, or lack of experience and knowledge, unless they have been given supervision or instruction.
- The replacements of parts of the safety suspension system device shall be performed by the manufacturer, its service agent or suitably qualified persons.

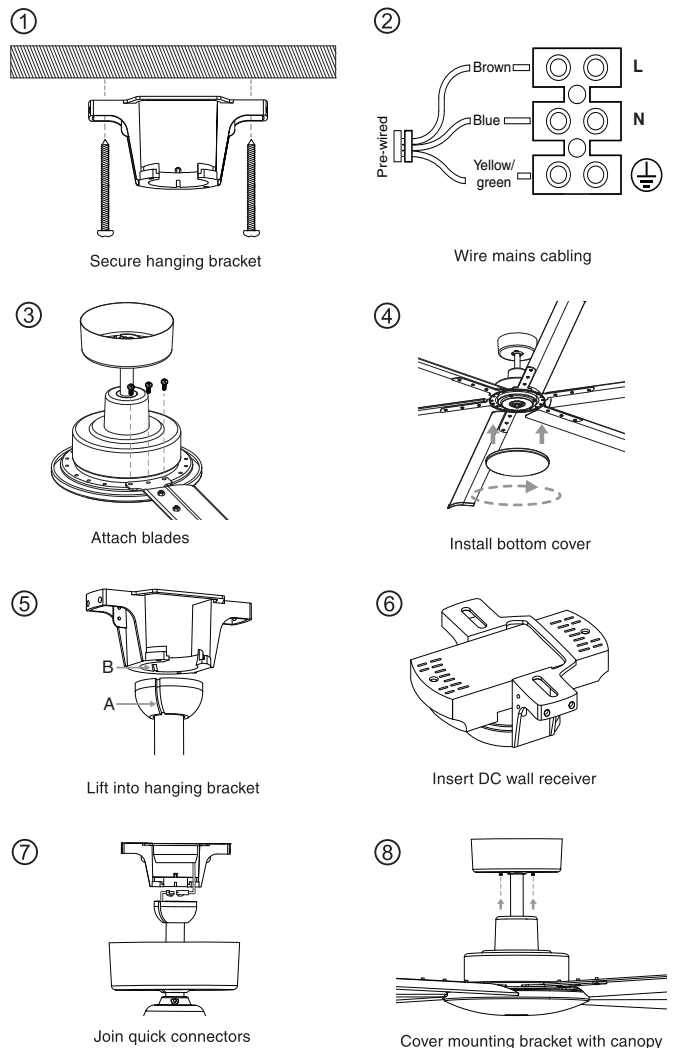
This product may contain substances that can be hazardous to the environment if not disposed of properly. Electrical and electronic equipment should never be disposed of with general household waste but must be separated of its correct treatment and recovery. Where possible recycle your packaging. Please keep these instructions safe for future reference.

Installation

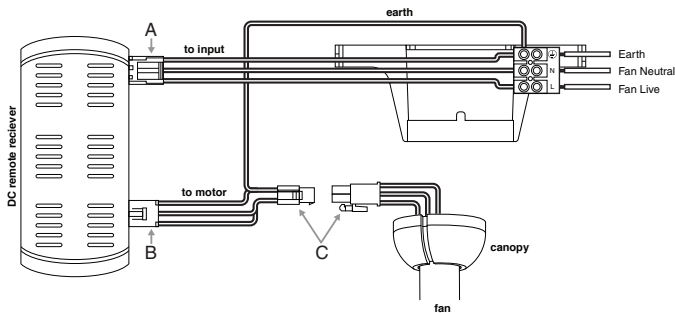
Read instructions and check you have all the tools and accessories to complete the installation correctly. Isolate the mains power supply before commencing installation. Before commencing, check space for obstructions and ensure adequate clearance for installation (see clearance table).

1. Using the two coach style screws provided or other suitable mounting method, secure the hanging bracket to a structurally rated ceiling joist or suitably rated building element, ensuring it is capable of carrying a load of at least 30kg. Note: the provided screws are for use with wooden structures only. For other structures, the appropriate screws must be used.
2. Connect mains cabling to the terminal block as per wiring diagram below and in accordance with AS/NZS 3000 Wiring Rules.
3. Align the 3 holes on the blade bracket with the 3 holes on the rotating section of fan motor assembly and secure using the 3 blade screws. Ensure all screws are tightened evenly to reduce the chance of warping or unbalancing. Take care not to over tighten the screws.
4. Secure the bottom cover to the threaded shaft of the motor by rotating it clockwise to attach.
5. Lift the fan assembly onto the mounting bracket. Ensure slot (A) of the hanging ball joint is positioned on notch (B) of the mounting bracket to prevent the fan from rotating when in operation.
6. Insert the DC remote receiver into the mounting bracket. **Attention:** do not cut or attempt to change the length of antenna cable.
7. Connect the ceiling fan by joining the quick connector cabling attached to the terminal block on the hanging bracket to the corresponding connector on the DC receiver (see receiver wiring).
8. Cover mounting bracket with canopy, ensuring all wiring is tucked inside. Secure the canopy using the provided screws ensuring they are not overtightened. For best results leave screws about 4-5mm from mounting bracket and position canopy into key lock slot.

WARNING: If unusual oscillating movement is observed, immediately stop using the ceiling fan and contact the manufacturer, its service agent or suitably qualified persons.



Receiver wiring

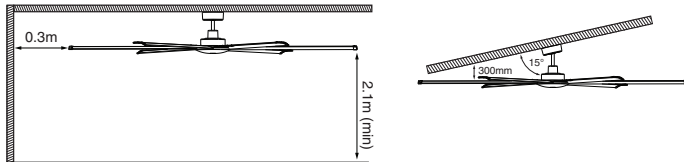


1. Connect the mains power supply to the terminal block ensuring that wires are secure and no bare wires are exposed.
2. Insert the 3-port fixed wire quick connector (A) to the receiver power input socket.
3. Insert the DC motor input wire connector (B) to the receiver motor power output socket.
4. Join the receiver output wire and the motor power input wire together via the 4-port quick connectors (C).

Clearance table

Wall* (from blade tip)	300mm
Floor (from blades)	2.1m (minimum)
Angle	15° max

*or any permanent building element including ceiling and joists



Commissioning

1. Run fan in all speeds and directions and check for noise and wobble.
2. Check all operational functions.
3. Run ceiling fan for 24 hours to bed-in (12 hours in summer mode and 12 hours in winter mode).

Outdoor operation

This fan is suitable for installation in protected and covered outdoor alfresco areas. Installation location must be protected from dust, wind, rain and salt spray and must include at least one wall. Failure to meet these requirements will void warranty. Ceiling fan must be installed so that the edge of the blades is at least 1.5m away from the edge of the protected area (or eave). Damage and failure through the actions of wind, water and dust ingress or salt spray are not covered by warranty.

Reverse function

Your ceiling fan can operate either in fan (summer) mode or reverse fan (winter) mode. Use the "forward/reverse" button on the remote to switch between summer and winter mode.

Summer mode: The fan will rotate in an anticlockwise direction. The airflow will be directed downwards, for cooling in summer.

Winter mode: The fan will rotate in a clockwise direction. The airflow will be directed upwards, for energy conservation, ensuring an even temperature throughout your room during winter.

Pairing the remote

Note: The remote and receiver have already been paired during manufacturing. The following steps are only necessary if remote and fan become unpaired or if pairing multiple fans.

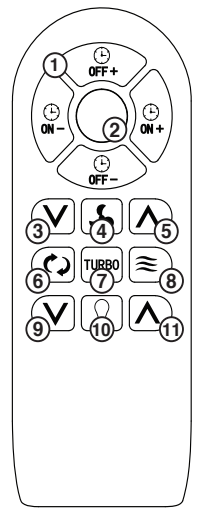
1. If the fan is on, turn the fan off at the mains for at least 1 minute.
2. Switch ON the main power to ceiling fan/s.
3. Within 5 seconds of turning on the power, press and release the FAN ON/OFF button on the remote. A long "beep" will sound to indicate the pairing process is activated.
4. Turn the fan ON and change the speed of the ceiling fan by the remote to check the operation and successful pairing.

Remote

Buttons

1. Timer control button
2. LED panel
3. Fan speed decrease button
4. Fan ON/OFF button
5. Fan speed increase button
6. Forward/Reverse button. Note: fan must be operating to activate the reverse function
7. Fan turbo button
8. Natural wind button
9. Light brightness decrease button
10. Light ON/OFF button
11. Light brightness increase button

AAA Note: 2x AAA batteries are required to power remote (included)



Operating the timer

ON + Press the button to activate the fan timer function and increase or decrease the time setting between 1 and 12 hours, the fan will turn ON after set time. To cancel the timer function, press the fan OFF button.

ON - Note: Fan timer ON function will only activate when the fan is turned off by remote control.

OFF + Press the button to activate the fan timer function and increase or decrease the time setting between 1 and 12 hours, the fan will turn OFF after set time. To cancel the timer function, press the fan OFF button.

OFF - Note: Fan timer OFF function will only activate when the fan is running.

Troubleshooting

Wobble: Ceiling fans can move slightly during operation and does not suggest any problem, however a major wobble should be corrected by use of the balancing kit supplied with your fan after first checking all screws and blade fittings for correct adjustment. Please refer to the instructions supplied with the kit.

Noise: When it is quiet (especially at night) you may hear occasional small noises. Slight power fluctuations and frequency signals superimposed in the electricity for off-peak hot water control, may cause a change in fan motor noise. This is normal. Please note that this is not a product fault - All electric motors are audible to some extent.

Please allow a 24-hour "breaking-in" period, most noises associated with a new fan disappear during this time.

Standard wear and tear: All ceiling fans are subject to standard wear and tear as the product ages through use. This is normal and will not constitute a product failure under warranty. Defects, wobble and noise caused by impacts, external damage and lack of regular maintenance are excluded from warranty.

Beep: When the receiver detects a problem with the fan, it will emit a "beeping" sound. If the receiver beeps 6 times, check all the interconnector wiring and ensure it makes good contact and the colours match. For other error codes, please refer to the product page on our website, under "Documents & Downloads". Scan the QR code below to visit this page.

Maintenance

- Shut off power before cleaning or maintenance.
- Every 6 months, wipe fan using a soft brush or lint free cloth.
- Do not soak or immerse your ceiling fan in the water or other liquids.
- Ensure that the fan does not come in contact with any organic solvents or cleaners.



Visit our website for more information

V1.3

Atom is a registered brand of Evolt Pty Limited.

IMPORTANT: THIS PRODUCT MUST BE INSTALLED BY A LICENSED ELECTRICIAN

See separate leaflet for warranty statement

Due to changes in industry standards and Evolt's policy of continual product development, product specifications are subject to change without notice. Images are for illustrative purposes only.

For further information please call Evolt's head office on 1300 4EVOLT (438 658).

Evolt Pty Limited PO BOX 271 KINGSGROVE NSW 1480

ABN 83 112 123 529

www.evolt.com.au

evolt