

# RAZOR



CORE



## FEATURES

- **24M** - 300 x 150 mm decal size
- Fully compliant (**AS/NZS 2293**)
- High Quality Lithium batteries (**LiFePO<sub>4</sub>**) and smart charger
- Fitted with flex and plug for easy installation
- Slimblade design with interchangeable decals



### CO:E6.3 C90:E20

Emergency classification



### SLIM DESIGN

Recessed mount, easy install



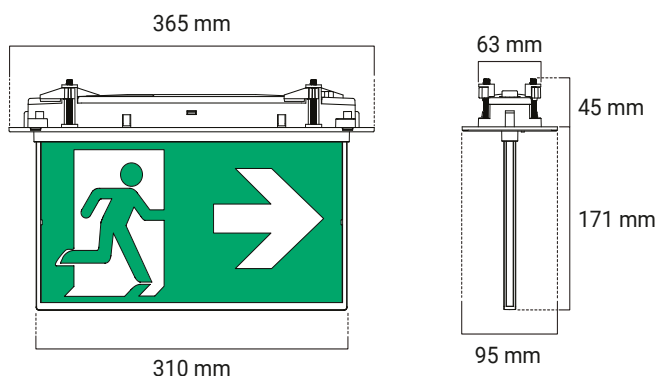
### SINGLE POINT UNIT

Ektor products work as SPU's out of the box



### ECO FRIENDLY

Using a High Quality Lithium battery (LiFePO<sub>4</sub>)



## PRODUCT RANGE

ORDER CODE	PRODUCT NUMBER	SKU	QTY
<b>EV-RAZOR-CORE-24M</b> Slimblade Core recessed Exit light 24M	9336462121214	12121	4
<b>EV-RAZOR-CORE-24M-B</b> Slimblade Core recessed Exit light 24M - Black	9336462121221	12122	4

### GENERAL FEATURES

- Fully compliant (AS/NZS 2293)
- Single and double sided decals
- Available in low illumination area black model
- Replaceable easy fit, quick release decals

### BUILT TO LAST

- LED light source
- Long life electronics
- 5 Years Design Life – 44,000 hours at max. ambient
- High Quality Lithium battery (LiFePO<sub>4</sub>) and smart charger

### SUITABLE INSTALLATION TYPES (OUT OF THE BOX)

- Standalone (SPU)

## ACCESSORY RANGE

ORDER CODE	DESCRIPTION
<b>EV-RAZOR-150-RM-DECAL</b>	Razor Decal Pack 1xright, 1xleft and 1xstraight
<b>EV-RAZOR-150-UPDN</b>	Razor Decal Pack 1xUp and 1xDown
<b>EV-1500MAH-3.2V-LIFEP04</b>	1500mAH 3.2V 2 Cell LiFePO <sub>4</sub> Battery

## OPERATIONAL INFORMATION

### GENERAL

Voltage	230V~ 50Hz
Ambient temp.	0 to 55°C
Class	2
IP rating	IP20
Wiring	Flex and plug 1.2m
Mounting type	Recessed

### EMERGENCY

Emergency lamp power	1 W
Rated duration	90 / 120 min
Classification	C0:E6.3, C90:E20

### BATTERY

BATTERY		CHARGE	
Type	LiFePO <sub>4</sub>	Type	Smart charge
Voltage	3.2 V	Time	16 Hours
Codes	13972	Operation	Variable

### CONSTRUCTION

Viewing distance	24M	Decal size	300 x 150 mm
Cut-out	63 x 335 mm	Diffuser	PMMA
Body	PC (UV Stabilised)	Gear tray	PC

### COMPLIANCE

Standards	AS/NZS 60598.2.22 AS/NZS 2293.3 IEC 60598-2-22 IEC 55015 CISPR 15
-----------	---

**NOTE:** For more information on the chemical resistance of our polycarbonate or our compliance documentation, please see our website.

## TOTAL POWER CONSUMPTION (TPC)

MAINTAINED MODE	
MAX.	AVG.
2.5 W	2.3 W

**NOTE:** Average power consumption calculated with the assumption of four emergency events per year and that the battery charger is in standby at all other times (above typical usage).