

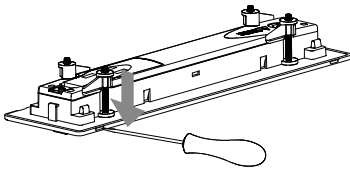
EV-RAZOR-CORE-24M

12121

Remove the product from the box and inspect it for any damage. If you believe the product to be damaged or otherwise unsound, **DO NOT** install the product. Please pack it back into its box and return it to the place of purchase for replacement. If the product is satisfactory, proceed with the installation. Prior to installation, components may require disassembly prior to fitment.

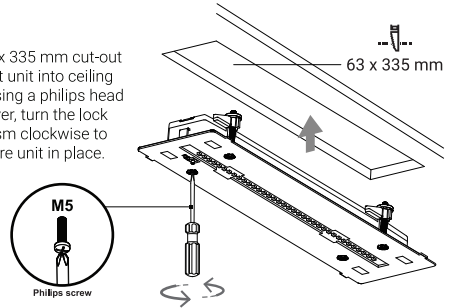
1

Separate the top from the unit using a flat-bladed screwdriver to release locking tabs (as shown).



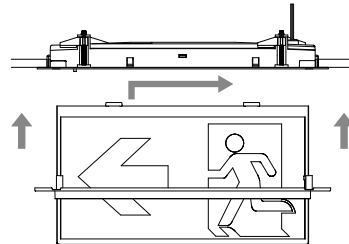
2

Make 63 x 335 mm cut-out and insert unit into ceiling space. Using a philips head screwdriver, turn the lock mechanism clockwise to lock secure unit in place.



3

Attach diffuser to the recessed frame by sliding it to the left. Attach cover plate by pressing until a click is heard.



⚠ WARNING

The luminaire is connected to an unswitched active during normal operating conditions. When disconnected from the mains supply, the luminaire is powered by a LiFePO₄ battery operated inverter. Due to this, care should be taken when replacing the battery.

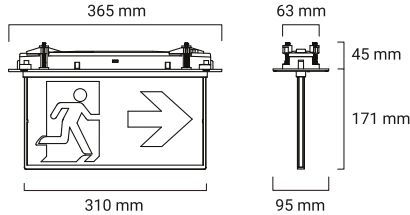
SAFETY WARNINGS

1. This product must only be installed by a licensed electrician.
2. Before commencing installation turn off and isolate the electrical supply.
3. Risk of accidental contact with live parts. Do not energise with product open or disassembled.
4. Mains supply and battery circuit separated by basic insulation.
5. The only user serviceable / replaceable part is the battery pack.
6. Do not attempt to service other parts of the fitting as this will void the warranty.
7. After installation allow the battery to charge for 24 hours before carrying out discharge testing.
8. As the installer, it is your responsibility to ensure you comply to all relevant building and safety codes for example the BCA, AS3000.
9. Once the battery can no longer meet the required rated duration it must be replaced.
10. This luminaire is intended only for mounting in locations where the plug and socket are protected from unauthorized disconnection.
11. For indoor use only.
12. If the external flexible cable or cord of this luminaire is damaged, it shall be replaced by the manufacturer or his service agent.

ORDER INFORMATION

Order code	SKU	Description	Carton QTY.
EV-RAZOR-CORE-24M	12121	Slimblade Core Recessed Exit Light 24M	4

DIMENSIONS (MM)



SPECIFICATIONS

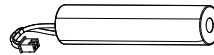
Voltage	230 V ~	Mounting type	Recessed	Duration	90 / 120 min
Frequency	50 Hz	Viewing Distance	24M	Battery spec	3.2V 1500mAh
Class	2	Wiring	Flex and Plug	Battery type	LiFePO ₄
Max. ambient temp.	0 to 40°C	Classification	C0:E6.3 C90:E12.5	Battery supply current	175mA
IP rating	IP20	Projected light source life	>20Y/00M	Charging time	<20 hours
Maintained Power Consumption	Max. 2.5W Avg. 2.3W			Charger type	Multi-state

REPLACING THE BATTERY

Access the battery by removing the product cover. Disconnect and remove battery. Replace battery as was previously installed. Allow a minimum 24 hours charging time before carrying out any discharge tests as per the requirements in AS/NZS 2293.

BATTERY LIFE

- Battery minimum life is 4 years, and can only be used under emergency mode.
- Once the battery can no longer meet the required rated duration it must be replaced.
- To maintain the economic life of this product it is required that the battery be discharged and recharged at least once every 6 months. The battery life can be reduced if the battery is not discharged.



1 x LiFePO₄ stick battery (13972)

ACCESSORIES AND SPARE PARTS

SKU	Description
13972	LiFePO ₄ Battery, 3.2V 1500mAh, 1 cell
02987	24M decal pack to suit Razor Core

TEST SWITCH

Action	Function
Hold	Run in emergency mode

INDICATORS

CHARGE LED - GREEN

State	Meaning
On	Battery charging
Off	Battery failed / disconnected

STATUS LED - AMBER

State	Meaning
Off	Normal operation

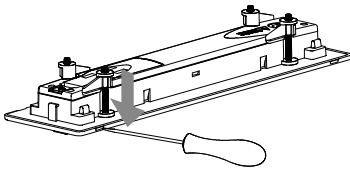
EV-RAZOR-CORE-24M-B

12122

Remove the product from the box and inspect it for any damage. If you believe the product to be damaged or otherwise unsound, **DO NOT** install the product. Please pack it back into its box and return it to the place of purchase for replacement. If the product is satisfactory, proceed with the installation. Prior to installation, components may require disassembly prior to fitment.

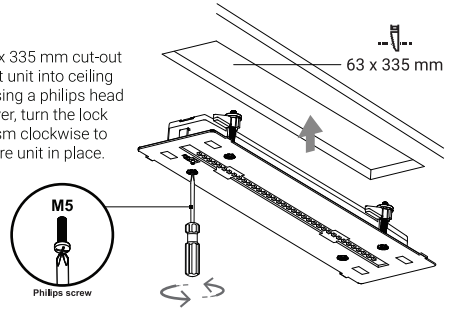
1

Separate the top from the unit using a flat-bladed screwdriver to release locking tabs (as shown).



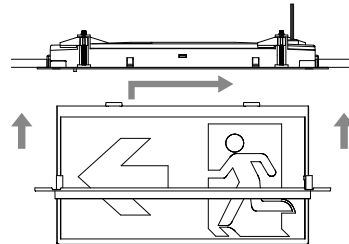
2

Make 63 x 335 mm cut-out and insert unit into ceiling space. Using a philips head screwdriver, turn the lock mechanism clockwise to lock secure unit in place.



3

Attach diffuser to the recessed frame by sliding it to the left. Attach cover plate by pressing until a click is heard.



WARNING

The luminaire is connected to an unswitched active during normal operating conditions. When disconnected from the mains supply, the luminaire is powered by a LiFePO₄ battery operated inverter. Due to this, care should be taken when replacing the battery.

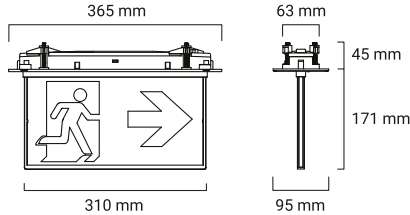
SAFETY WARNINGS

1. This product must only be installed by a licensed electrician.
2. Before commencing installation turn off and isolate the electrical supply.
3. Risk of accidental contact with live parts. Do not energise with product open or disassembled.
4. Mains supply and battery circuit separated by basic insulation.
5. The only user serviceable / replaceable part is the battery pack.
6. Do not attempt to service other parts of the fitting as this will void the warranty.
7. After installation allow the battery to charge for 24 hours before carrying out discharge testing.
8. As the installer, it is your responsibility to ensure you comply to all relevant building and safety codes for example the BCA, AS3000.
9. Once the battery can no longer meet the required rated duration it must be replaced.
10. This luminaire is intended only for mounting in locations where the plug and socket are protected from unauthorized disconnection.
11. For indoor use only.
12. If the external flexible cable or cord of this luminaire is damaged, it shall be replaced by the manufacturer or his service agent.

ORDER INFORMATION

Order code	SKU	Description	Carton QTY.
EV-RAZOR-CORE-24M-B	12122	Slimblade Core recessed Exit light 24M - Black	4

DIMENSIONS (MM)



SPECIFICATIONS

Voltage	230 V ~	IP rating	IP20	Duration	90 / 120 min
Frequency	50 Hz	Mounting type	Recessed	Battery spec	3.2V 1500mAh
Class	2	Viewing Distance	24M	Battery type	LiFePO ₄
Max. ambient temp.	0 to 40°C	Wiring	Flex and Plug	Battery supply current	175mA
Maintained Power Consumption	Max. 2.5W Avg. 2.3W	Projected light source life	>20Y/00M	Charging time	<20 hours
				Charger type	Multi-state

REPLACING THE BATTERY

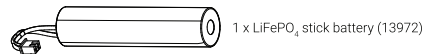
Access the battery by removing the product cover. Disconnect and remove battery. Replace battery as was previously installed. Allow a minimum 24 hours charging time before carrying out any discharge tests as per the requirements in AS/NZS 2293.

ACCESSORIES AND SPARE PARTS

SKU	Description
13972	LiFePO ₄ Battery, 3.2V 1500mAh, 1 cell
02988	24M decal pack to suit Razor Core black

BATTERY LIFE

- Battery minimum life is 4 years, and can only be used under emergency mode.
- Once the battery can no longer meet the required rated duration it must be replaced.
- To maintain the economic life of this product it is required that the battery be discharged and recharged at least once every 6 months. The battery life can be reduced if the battery is not discharged.



TEST SWITCH

Action	Function
Hold	Run in emergency mode

INDICATORS

CHARGE LED - GREEN

State	Meaning
On	Battery charging
Off	Battery failed / disconnected

STATUS LED - AMBER

State	Meaning
Off	Normal operation