

CONDOR TWIN SENSOR-13965

24W Twin Security Spot W/Sensor IP54

Features

- Weatherproof IP54 rating
- Three different selectable colour temperatures
- Large terminals for easy installation
- 230V 300W relay output
- 3 year warranty



ORDERING INFORMATION

Order code	13965
Description	24W Twin Security Spot W/Sensor IP54 Black
Driver Power	23 W
Driver Type	Fixed output
Item Code	CONDOR TWIN SENSOR-13965

MECHANICAL

Adjustability	Gimbal
Body Material	Diecast Aluminium
Diffuser Material	Tempered Glass
Product Finish	Powdercoated
Fitting Colour	Black
Installation Type	Surface mount
IP Rating	IP54

ELECTRICAL

Electrical Rating	Class I
Input Current	0.23 A
Input Frequency	50 Hz
Input voltage	230Vac
In Australia the Input voltage is defined as 230Vac -6%/+10%. This effectively means that the voltage range of these products are 216Vac - 253Vac or 240V +6%	
Maximum Wattage	24 W
Power Factor	0.5
Working Temp Range	-10 to 40 °C

LAMP

Macadam Steps (SDCM)	6-step MacAdam Ellipse
Beam Angle	90 °
CCT Configuration	TRI-CCT
CRI	>80
LED Type	COB
System Efficiency	102 lm/W

LED LIFETIME

LED Lifetime	50000 hrs
---------------------	-----------

This is the Reported LED Lifetime in Hours based on TM-21. Atom does not list the projected or calculated LED lifetime, which is normally longer as TM-21 Addendum B explicitly states "The Calculated and Projected Lp(Dk) are not to be reported". This Lifetime refers to the life of a single LED however the system life is longer since the probability and binomial distribution of all LEDs in the system means that the average led is performing above the specification and compensates for the LEDs falling below.

LED Lifetime Rating	L70B10
----------------------------	--------

COLOUR TEMPERATURE

22 Watts

Warm White (3000)	2200 lm
Cool White (4000)	2450 lm
DayLight (5000)	2400 lm

DRIVER

Dimmable	No
Driver Included	Yes
Integrated Driver	Yes
Driver Mode	Constant Current
Driver Type	Fixed output

SENSOR (S SUFFIX)

Adjustable Detection Area / Sensitivity	Yes
Adjustable Hold Time	No
Adjustable Standby Level	No
Adjustable Standby Period	No
Corridor Function	No
Dawn Reset	No
Detection Range	10 m
Detection Angle	120
Dusk Mode	Yes
Lux Adjustment	Yes
Lux Range	10 to 1000 lx
Manual Override	Yes
Sensor Type	PIR
Switched Output	Yes
Switched Output Rating	300 W
Time Delay	12

COMPLIANCE

Standards	AS/NZS 60598.1 AS/NZS 60598.2.1 AS/NZS 61347.1 AS/NZS 61347.2.13 AS CISPR 15
------------------	--

WARRANTY

Commercial Use Warranty	3 RTB (Total 3 Years)
Domestic Use Warranty	3 (Yr) RTB
VIP Warranty	2 Onsite, 3 RTB (Total 5 Years)

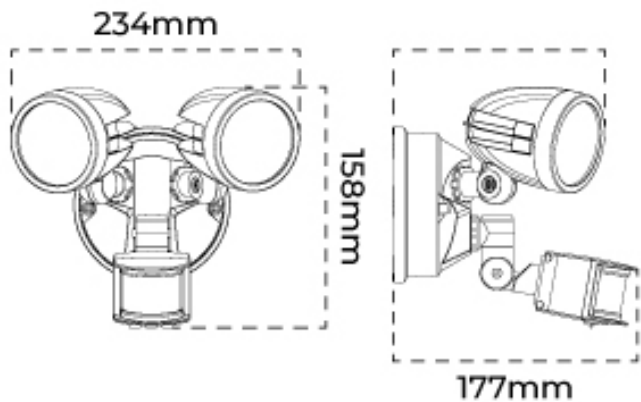
VIP warranty is available to registered users and is subjected to additional terms and conditions.

DIMENSIONS

Product Height	158 mm
Product Length	177 mm
Product Weight	850 g
Product Width	234 mm

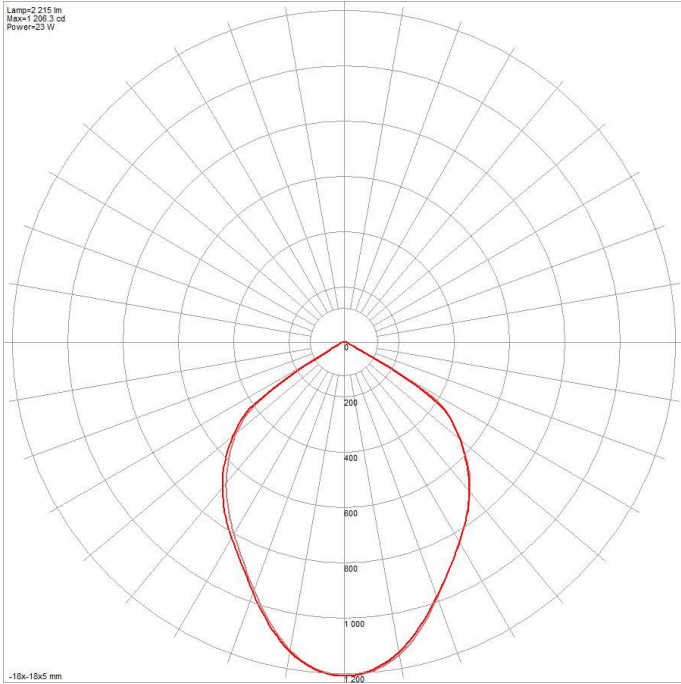
LINE DRAWINGS

Condor_twin_sensor

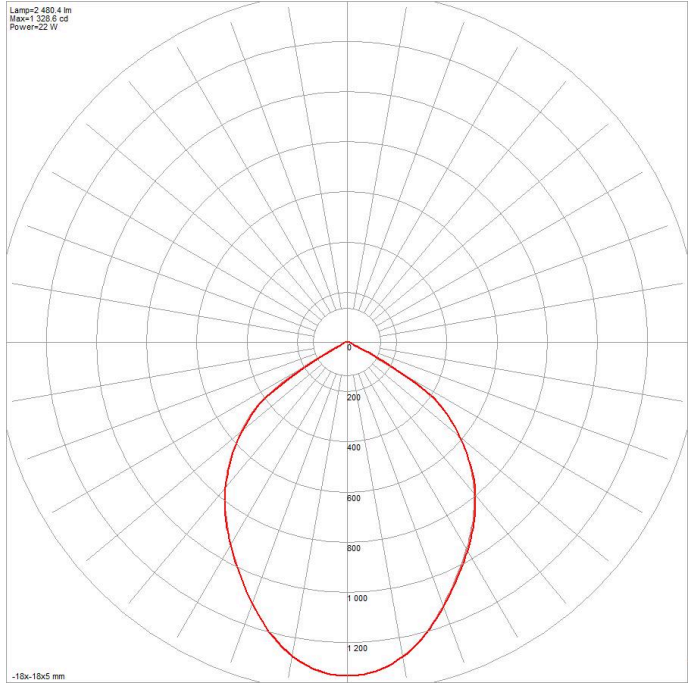


PHOTOMETRICS

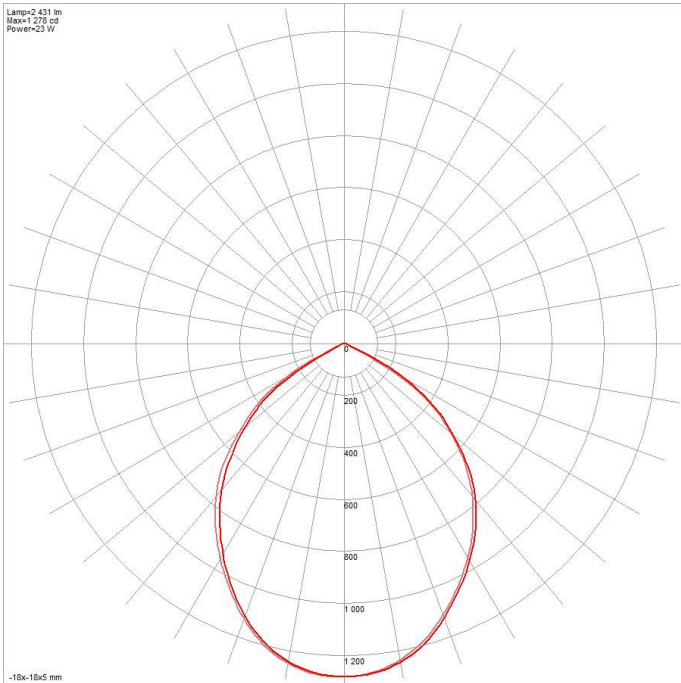
CONDOR TWIN SENSOR/13965/TRI/3000K



CONDOR TWIN SENSOR/13965/TRI/4000K



CONDOR TWIN SENSOR/13965/TRI/5000K



CONDOR TWIN SENSOR-13966

24W Twin Security Spot W/Sensor IP54

Features

- Weatherproof IP54 rating
- Three different selectable colour temperatures
- Large terminals for easy installation
- 230V 300W relay output
- 3 year warranty



ORDERING INFORMATION

Order code	13966
Description	24W Twin Security Spot W/Sensor IP54 White
Driver Power	23 W
Driver Type	Fixed output
Item Code	CONDOR TWIN SENSOR-13966

MECHANICAL

Adjustability	Gimbal
Body Material	Diecast Aluminium
Diffuser Material	Tempered Glass
Product Finish	Powdercoated
Fitting Colour	White
Installation Type	Surface mount
IP Rating	IP54

ELECTRICAL

Electrical Rating	Class I
Input Current	0.23 A
Input Frequency	50 Hz
Input voltage	230Vac
In Australia the Input voltage is defined as 230Vac -6%/+10%. This effectively means that the voltage range of these products are 216Vac - 253Vac or 240V +6%	
Maximum Wattage	24 W
Power Factor	0.5
Working Temp Range	-10 to 40 °C

LAMP

Macadam Steps (SDCM)	6-step MacAdam Ellipse
Beam Angle	90 °
CCT Configuration	TRI-CCT
CRI	>80
LED Type	COB
System Efficiency	102 lm/W

LED LIFETIME

LED Lifetime	50000 hrs
---------------------	-----------

This is the Reported LED Lifetime in Hours based on TM-21. Atom does not list the projected or calculated LED lifetime, which is normally longer as TM-21 Addendum B explicitly states "The Calculated and Projected Lp(Dk) are not to be reported". This Lifetime refers to the life of a single LED however the system life is longer since the probability and binomial distribution of all LEDs in the system means that the average led is performing above the specification and compensates for the LEDs falling below.

LED Lifetime Rating	L70B10
----------------------------	--------

COLOUR TEMPERATURE

22 Watts

Warm White (3000)	2200 lm
Cool White (4000)	2450 lm
DayLight (5000)	2400 lm

DRIVER

Dimmable	No
Driver Included	Yes
Integrated Driver	Yes
Driver Mode	Constant Current
Driver Type	Fixed output

SENSOR (S SUFFIX)

Adjustable Detection Area / Sensitivity	Yes
Adjustable Hold Time	No
Adjustable Standby Level	No
Adjustable Standby Period	No
Corridor Function	No
Detection Range	10 m
Detection Angle	120
Dusk Mode	Yes
Lux Adjustment	Yes
Lux Range	10 to 1000 lx
Manual Override	Yes
Sensor Type	PIR
Switched Output	Yes
Switched Output Rating	300 W
Time Delay	12

COMPLIANCE

Standards	AS/NZS 60598.1 AS/NZS 60598.2.1 AS/NZS 61347.1 AS/NZS 61347.2.13 AS CISPR 15
------------------	--

WARRANTY

Commercial Use Warranty	3 RTB (Total 3 Years)
Domestic Use Warranty	3 (Yr) RTB
VIP Warranty	2 Onsite, 3 RTB (Total 5 Years)

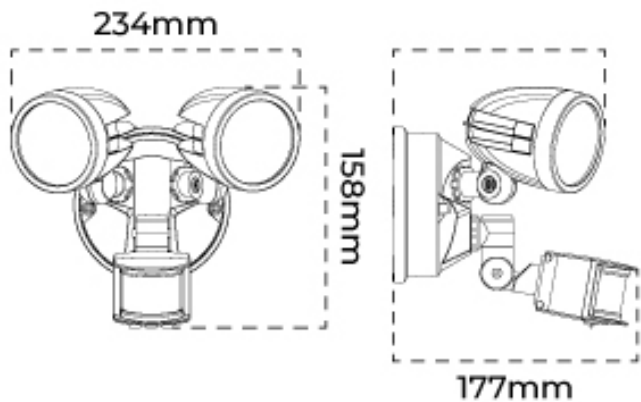
VIP warranty is available to registered users and is subjected to additional terms and conditions.

DIMENSIONS

Product Height	158 mm
Product Length	177 mm
Product Weight	850 g
Product Width	234 mm

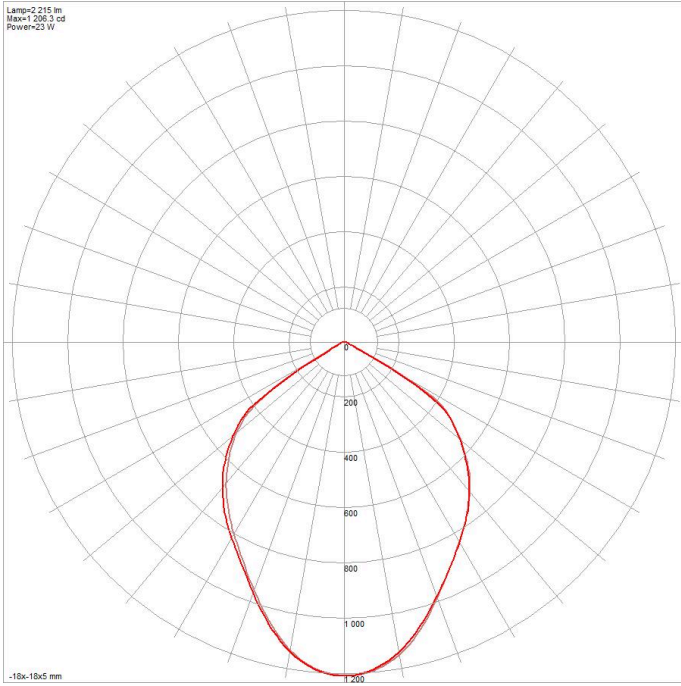
LINE DRAWINGS

Condor_twin_sensor

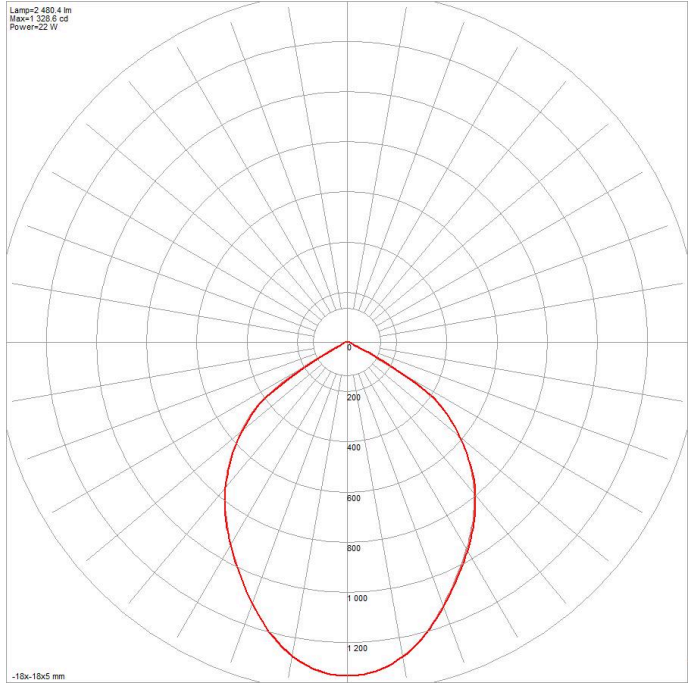


PHOTOMETRICS

CONDOR TWIN SENSOR/13965/TRI/3000K



CONDOR TWIN SENSOR/13965/TRI/4000K



CONDOR TWIN SENSOR/13965/TRI/5000K

