

AT9814

Commercial LED Floodlight

- Ideal for sport venues, car parks and outdoor applications
- Tempered Glass diffuser – stronger and safer
- Quick installation
- Symmetrical light distribution
- LEDs wired with matrix connections
- Aluminium cast body with high-quality powder-coated black finish
- IK08 Rating – resistant to the hard knocks of weather and impact
- Reduced tolerance between the PCBA and aluminium heatsink ensuring better lifetime



ORDERING INFORMATION

Order code	18107
Description	200W LED IP66 Floodlight Ser III - 5000K
Driver Power	186 W
Driver Type	Fixed output
Item Code	AT9814/200

MECHANICAL

Adjustability	Adjustable
Body Material	Aluminium
Diffuser Material	Glass
Product Finish	Powdercoated
Fitting Colour	Black
IK Rating	IK08
Installation Type	Surface mount
IP Rating	IP66

ELECTRICAL

Earth Leakage	0.75 mA
Electrical Rating	Class I
Input Frequency	50 Hz
Input voltage	230Vac
In Australia the Input voltage is defined as 230Vac -6%/+10%. This effectively means that the voltage range of these products are 216Vac - 253Vac or 240V +6%	
Inrush Current	100 A
Inrush Duration	230uS (50%) uS
Maximum Wattage	200 W

Power Factor	0.94
Surge Protection L/N-PE	4kV
Surge Protection L-N	4kV
Switch Type	Inline
Working Temp Range	-30 to 45 °C

LAMP

Macadam Steps (SDCM)	5-step MacAdam Ellipse
Beam Angle	120 °
CCT Configuration	Single
Colour Rendering Index (CRI)	>70
LED Type	Diffused

LED LIFETIME

LED Lifetime	54000 hrs
This is the Reported LED Lifetime in Hours based on TM-21. Atom does not list the projected or calculated LED lifetime, which is normally longer as TM-21 Addendum B explicitly states "The Calculated and Projected Lp(Dk) are not to be reported". This Lifetime refers to the life of a single LED however the system life is longer since the probability and binomial distribution of all LEDs in the system means that the average led is performing above the specification and compensates for the LEDs falling below.	
LED Lifetime Rating	L70 B10 (9K)
TM-21 Test Hours	9000 hrs

COLOUR TEMPERATURE

CCT	5000 K
CCT Colour	Daylight
LED Wattage	186 W
Luminaire Lumens	29555 lm

All photometric data has a tolerance of $\pm 10\%$. Luminaire lumens refers to the exit lumens or delivered lumens from the luminaire.

DRIVER

Dimmable	No
Driver Included	Yes
Integrated Driver	No
Driver Mode	Constant Current
Driver Type	Fixed output
Flex & Plug or Lead Length	1500 mm
Wiring Type	Flying leads (3 wire)

ENERGY SAVINGS SCHEME

Ipart Approval	Yes
REES Approval	Yes
VEU Approval	Yes

COMPLIANCE

Daily Use	10 hrs
------------------	--------

The Daily Use is the recommended time required to meet the product's design life. Installations can exceed this time, however the product design life will be reduced proportionally.

Standards	AS/NZS 60598.1 AS/NZS 60598.2.5 AS/NZS 61347.1 AS/NZS 61347.2.13 AS CISPR 15
------------------	--

WARRANTY

Domestic Use Warranty	3 RTB (Total 3 Years)
Operational Lifetime	50000 hrs
VIP Warranty	2 Onsite, 3 RTB (Total 5 Years)

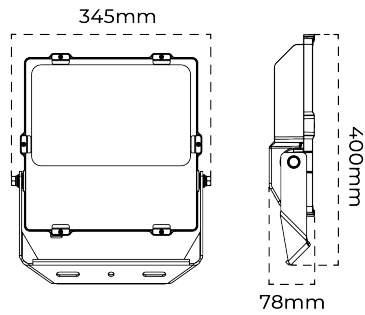
VIP warranty is available to registered users and is subjected to additional terms and conditions.

DIMENSIONS

Product Height	400 mm
Product Length	345 mm
Product Weight	5800 g
Product Width	78 mm

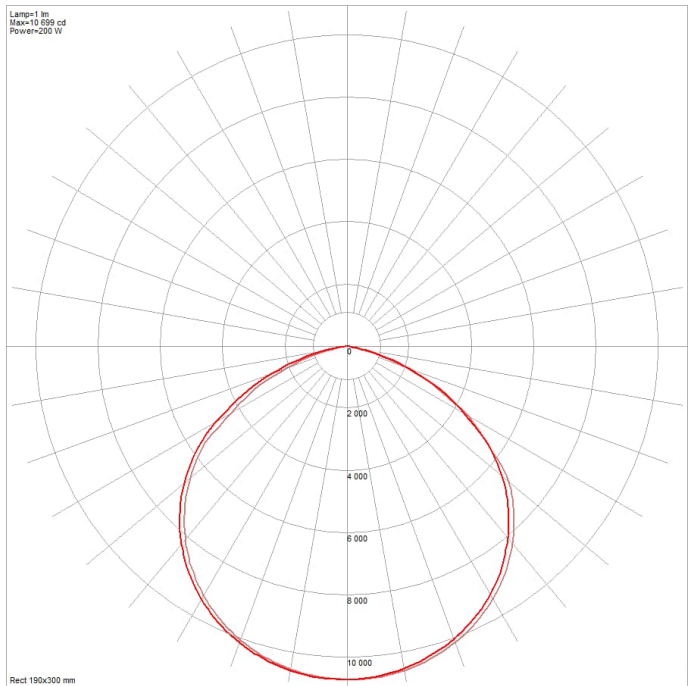
LINE DRAWINGS

AT9814/200



PHOTOMETRICS

AT9814/200





ACCESSORIES

Order code	12207
Description	Pole mounting bracket to suit AT9814 floodlight
Item Code	AT9812/PMB