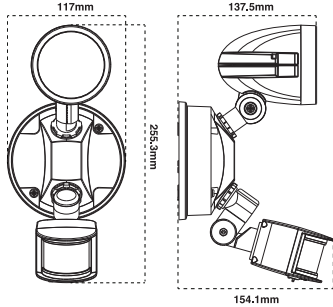


atom

INSTALLATION SHEET LED SPOTLIGHT AT9131

12W IP44 Single spotlight with sensor.



Product Specification

Voltage	230V~ 50Hz
Power Consumption	12W
Light colour options	Day Light (DL)
Lumen output	1000lm
Colour temperature	5000K
Colour rendering index	>80
Beam angle	115°
Dimmable	No
Warranty	3 Years
Working temperature	-5°C – 40°C
IP Rating	IP44
Electrical classification	Class I
Detection range	Max. 12m at 180° scan
Duration time adjustment	(10±5) seconds to (4±1) minutes
Detection circuitry	Passive infra-red (PIR)

Product Range

Code	Finish	Colour temperature
AT9131/BLK	Black	Daylight
AT9131/SIL	Silver	Daylight
AT9131/WH	White	Daylight

IMPORTANT INFORMATION

- Luminaires must be installed and fitted by a qualified electrician ensuring the installation complies to the current wiring regulations.
- The LEDs in this spotlight are not replaceable.
- Ensure all electrical connections are secure and that there are no loose strands.
- Clean this fitting with a soft damp cloth. Do not use any chemical or abrasive cleaners.
- Do not jet wash as the spotlight is not rated for high pressure jets of water and may be damaged.
- This spotlight is not dimmable.
- Always switch off the mains supply before installation or servicing.
- Make sure that the fixings are adequate to support the weight of the spotlight and hold it rigidly.
- This product has been designed for residential and light commercial applications. It is recommended not to exceed 6 to 8 hours of continuous operation.

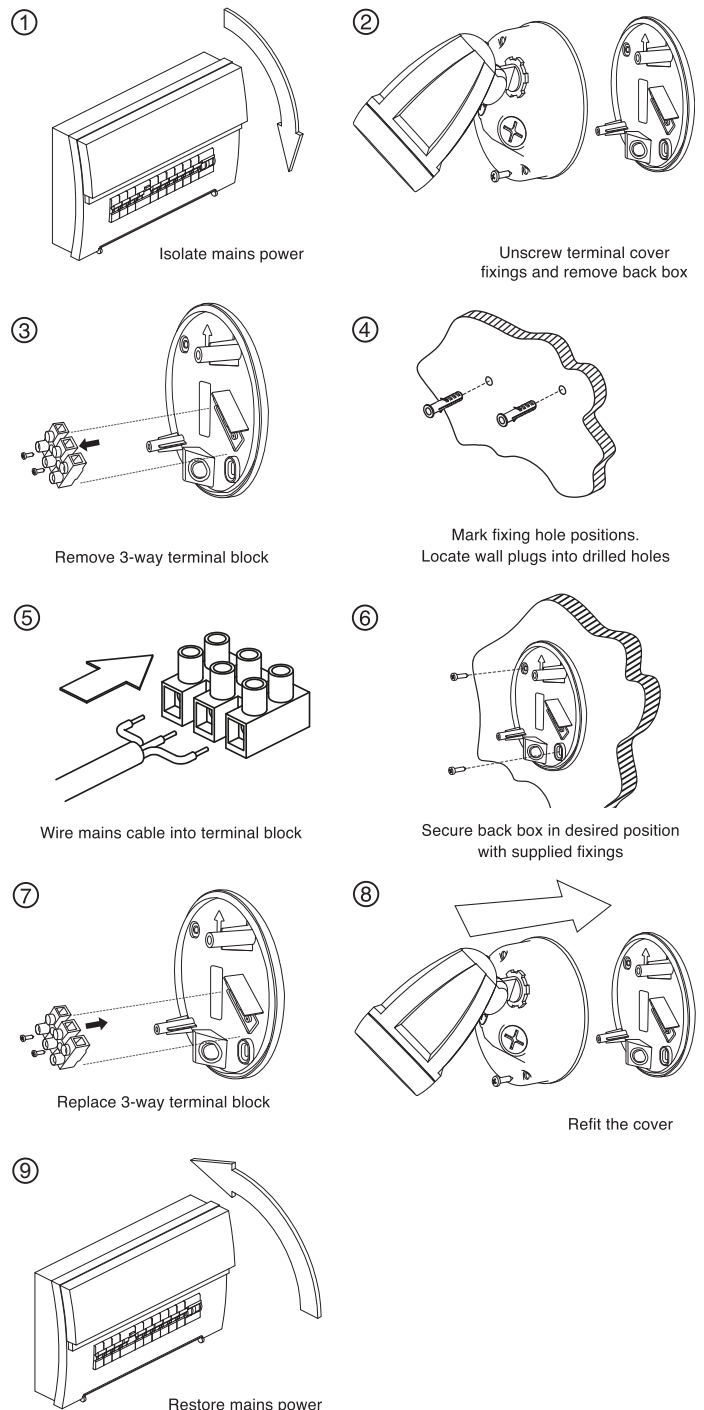
This product may contain substances that can be hazardous to the environment if not disposed of properly. Electrical and electronic equipment should never be disposed of with general household waste but must be separated of it's correct treatment and recovery. Where possible recycle your packaging. Please keep these instructions safe for future reference.

Installation

To achieve best results we suggest the spotlight should be mounted on a stable surface between 1.8 and 2.5m (6 to 8ft) above the ground.

Read instructions and check you have all the tools and accessories to complete the installation correctly.

1. Isolate the mains power supply before commencing installation of the spotlight.
2. Unscrew the fixing cover screws to remove the cover.
3. Remove the 3-way terminal block.
4. Use the terminal back box to mark the position of fixing holes onto the mounting surface. Drill the wall to a depth of about 4cm and fit the wall plugs (supplied). Care should be taken to avoid drilling or screwing into concealed pipework or electrical wiring.
5. Connect the power cable to the 3-way terminal block. Ensure that the cable enters the terminal back box through the cable grommet.
6. Secure the terminal back box to the mounting surface with fixing screws (supplied).
7. Replace 3-way terminal block.
8. Refit the cover.
9. Restore the mains power supply, switch on and test for correct operation.

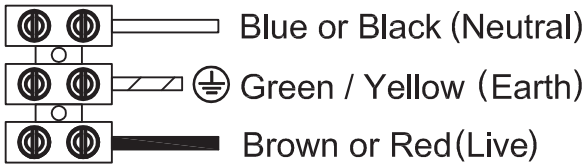


THIS IS A CLASS I PRODUCT AND MUST BE EARTHED.

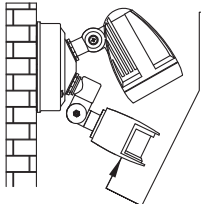
Wiring Details

CLASS I WIRING DETAILS

Mains Supply



Spotlight Installation

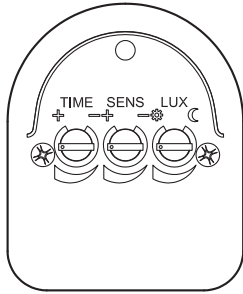


SECURITY SPOTLIGHT CAN BE INSTALLED ON A VERTICAL OR HORIZONTAL SURFACE. PIR SENSOR DRAINAGE HOLE MUST BE IN THE SHOWN POSITION. GUARANTEE INVALID FOR IMPROPER INSTALLATION.

PIR Controls

Adjusting the duration time:

The length of time that remains switched on after activation can be adjusted from (10±5) seconds to (4±1) minutes. Rotating the TIME knob + to - will reduce the duration time. **Note:** Once the light has been triggered by the PIR sensor any subsequent detection will start the timed period again from the beginning.



Adjusting the LUX control level:

The Lux control module has a built-in sensing device (photocell) that detects daylight and darkness. The (☉) position denotes that the floodlight can work at day and night, and the (☾) position only work at night. You can set to operate the unit at the desired level by adjusting the LUX knob.

Adjusting the sensitivity: The sensitivity means the Maximum distance which PIR Sensor can be triggered by movement body. Turning the SENS knob + to - will decrease the sensitivity.

Setting the Controls

- Put the Lux control knob to light (*) position, turn the wall switch on and wait half a minute for the control circuit to stabilize. At this stage ensure that the TIME control knob is set at minimum duration. The security lamp will now switch on and remain on for about 30 seconds (within 60 seconds).
- Direct the sensor toward the desired area to be scanned by adjusting the elbow joint and swivel joint on the sensor arm. **IMPORTANT: LOOSEN ALL LOCK NUTS AND SCREWS ON SENSOR AND LAMP BEFORE MAKING ANY ADJUSTMENTS.**
- Have another person move across the center of the area to be scanned and slowly adjust the angle of the sensor arm until the unit sensors the presence of the moving person, causing the light to switch on.
- Adjust time control to required setting.
- To set the light level at which the lights will automatically switch "ON" at night, turn the LUX control knob from daylight to night. If the lamps are required to switch on earlier, e. g. Dusk, wait for the desired light level, then slowly turn the LUX control knob towards daylight while someone walks across the center of the area to be detected. When the floodlights switch on, release the LUX control knob. You may need to make further adjustments to achieve your ideal light level setting.

Manual Override Control Mode

- When power ON, the PIR detector enters into the "WARM-UP" period for about 1 minute, then automatically changes into AUTO MODE.
- During AUTO MODE, the PIR detector will change to 8 hours MANUAL MODE from AUTO MODE by an effective override (turn the wall switch off and on twice in about 3 seconds). In MANUAL MODE, the Lamp will remain ON, not affected by duration time and Lux control level, after 8 hours, the lamp will change into AUTO MODE again.
- To change it back to AUTO MODE, turn the wall switch off and on twice in about 3 seconds (the same override used to go from AUTO to MANUAL mode).
- During MANUAL MODE or AUTO MODE, by switching off the ON/OFF main switch over 10 seconds and then on again, the PIR detector will reset to WARM-UP period. ***PLEASE NOTE: THE PERIOD OF "WARM-UP" MAY BE SHORTER THAN 1 MINUTE.***

Trouble Shooting and User Hints

Problem	Possible Cause	Suggested Remedy
LIGHT DOES NOT SWITCH ON WHEN THERE IS MOVEMENT IN THE DETECTION AREA.	<ul style="list-style-type: none"> No mains voltage Bulb faulty or missing Nearby lighting is too bright Controls set incorrectly Sensor positioned in wrong direction 	<ul style="list-style-type: none"> Check all connections, and fuses switches Check. Replace Redirect sensor or relocate the unit Readjust sensor angle or control knob Redirect sensor and/or adjust
LAMP SWITCHES ON FOR NO APPARENT REASON (FALSE TRIGGER)	<ul style="list-style-type: none"> Heat from bulb(s) activating sensor Heat sources such as air-con, vents, heater flues, barbecues, other outside lighting, moving cars are activating sensor Animals/birds e.g. possums or domestic animals Interference from ON/OFF switching of electric fans or lights on the same circuit as your security floodlight (this problem does not always occur but a faulty switch or noisy fluorescent light may cause the security lamp to switch on) Reflection from swimming pool, or reflective surface 	<ul style="list-style-type: none"> Adjust lamp holders to allow a Minimum gap of 40mm between G9 bulb and sensor head. Adjust direction of sensor head, Away from these sources. Animals/birds e.g. possums or domestic animals Redirecting sensor head may help Should the false triggering become troublesome, consider: <ol style="list-style-type: none"> Replacing a faulty switch Replacing noisy fluorescent tubes and/or starters Connecting the security lamp to a separate circuit (in most cases where one or more of the above suggestions have been carried out, false triggering has been reduced) Redirect sensor
LIGHT REMAINS ON	<ul style="list-style-type: none"> Continuously false triggered Time is set too long. 	<ul style="list-style-type: none"> Redirecting sensor head may help Reduce time
LIGHT SWITCHES ON DURING DAYLIGHT HOURS	<ul style="list-style-type: none"> LUX control knob is set to daylight position 	<ul style="list-style-type: none"> Turn the LUX control knob to desired light level setting
SHORTER DETECTION DISTANCE IN DAYLIGHT SETTINGS	<ul style="list-style-type: none"> Interference by sunlight 	<ul style="list-style-type: none"> Re-test at night

Warranty

Atom products are distributed in Australia by Evolt Pty Ltd ('us', 'our', or 'we'). Our contact information is set out in the bottom right hand corner of this page.

Our goods come with guarantees that cannot be excluded under the Australian Consumer Law. You are entitled to a replacement or refund for a major failure and compensation for any other reasonably foreseeable loss or damage. You are also entitled to have the goods repaired or replaced if the goods fail to be of acceptable quality and the failure does not amount to a major failure.

In addition to your guarantees under the Australian Consumer Law, our goods also come with a contractual warranty, which is described below. This warranty is additional to your rights under the Australian Consumer Law (and any other rights or remedies you may have under a law in relation to the products) and is not intended to modify or exclude those rights.

Subject to the terms of this contractual warranty, if your Atom products are defective, we will (at our election) repair or replace the Atom products. Once we make this election (and take the relevant action), we will have honored our obligations under this contractual warranty.

Our total liability under this warranty is limited to the cost of repair or replacement of the defective product (at our election). We otherwise exclude all liability in relation to the product to the fullest extent permitted by law (noting our comments above regarding the Australian Consumer Law and any other rights or remedies you may have).

If you wish to claim under this warranty, you must, at your own expense, return the product or that part of the product which you believe is defective, together with proof of original purchase, your name, address and telephone number and a certificate of installation (or other document required by the law for the installation of electrical products in the place in which the product was installed) to Evolt at the address set out in the bottom right hand corner of this page within the warranty period. You bear all costs associated with claiming under this warranty (including, but not limited to, postage costs). Without limiting the preceding sentence, this warranty does not apply to the costs of the removal or re-installation of the defective product.

The warranty period for this product is three years from the date of purchase. This warranty is not transferable and is only given to the original purchaser of the product, provided the purchaser has purchased the product from us. Proof of purchase must be provided to us with any warranty claim. We recommend that you attach your proof of purchase to your product manual.

This warranty does not apply to consumable items within your product (including, but not limited to, lamps or batteries). This warranty does not apply to products that have been improperly stored, installed, or used. This warranty does not apply to products that have not been maintained in accordance with the instructions contained within this product manual.

This warranty does not apply to loss or damage caused by wear and tear, misuse, incorrect installation or operation, failure to clean and maintain, incorrect voltage or non-authorized electrical connections, adverse external conditions (such as power surges and dips, acts of God, exposure to heat, corrosion, insect or vermin infestation), use of non-authorized or defective parts or globes, or to items that have been repaired than by a person other than us or a repairer approved by us.

Atom is a registered brand of Evolt PTY Limited.

For further information please call Evolt's head office on 1300 4EVOLT (438 658).
Evolt PTY Limited PO BOX 271 KINGSGROVE NSW 1480
ABN 83 112 123 529

Due to changes in industry standards and Evolt's policy of continual product development, product specifications are subject to change without notice. Images are for illustrative purposes only.

For more information please visit our website www.evolt.com.au a brand of | **evolt**