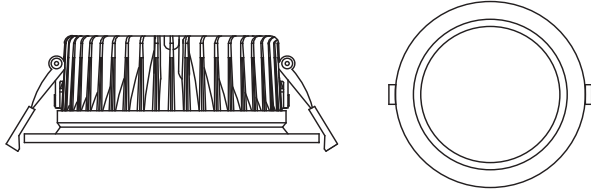


# atom

## INSTALLATION SHEET LED DOWNLIGHT

### AT9087/TRI SERIES II

12W/16W/24W/30W LED downlight with dimmable driver  
Tri-CCT - White



#### Product Specification

<b>Voltage</b>	230V~ 50Hz			
<b>Light colour options</b>	Warm white	Cool white	Daylight	
<b>Colour temperature</b>	3000K	4000K	5700K	
<b>Lumen output</b>	<b>12W</b>	1540lm	1640lm	1600lm
	<b>16W</b>	1840lm	2040lm	2000lm
	<b>24W</b>	2770lm	3050lm	3000lm
	<b>30W</b>	3860lm	4120lm	4100lm
<b>Colour Rendering Index</b>	>80			
<b>Beam Angle</b>	60°			
<b>Dimmable</b>	Yes*			
<b>Warranty</b>	3 Years			
<b>Working Temperature</b>	-10°C – 40 °C			
<b>IP Rating</b>	IP44 (front face) IP40 (behind ceiling)			
<b>IC Rating</b>	IC-4 IC-F (NZ)			
<b>Electrical classification</b>	Class II			
<b>Wiring</b>	Flex and Plug			

\*Compatible with selected leading and trailing edge dimmers.

#### Product range

Code	Wattage	Dimensions (mm)	Cut out (mm)
AT9087/12/WH/TRI	12W	H55 / Ø145	Ø120-130
AT9087/16/WH/TRI	16W	H58 / Ø170	Ø150-160
AT9087/24/WH/TRI	24W	H60 / Ø190	Ø160-170
AT9087/30/WH/TRI	30W	H60 / Ø228	Ø200-210

#### SAFETY INFORMATION

Luminaires must be installed and fitted by a qualified electrician ensuring the installation complies to the current wiring regulations.

The LED's in this downlight CANNOT BE REPLACED.

Ensure all electrical connections are secure and that there are no loose strands.

Do not install this product on damp or newly plastered ceilings.

Always ensure there is adequate ventilation around the driver at all times.

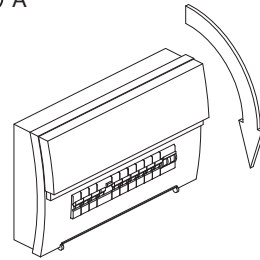
This product may contain substances that can be hazardous to the environment if not disposed of properly. Electrical and electronic equipment should never be disposed of with general household waste but must be separated of it's correct treatment and recovery. Where possible recycle your packaging. Please keep these instructions safe for future reference.

#### Installation

Read instructions and check you have all the tools and accessories to complete the installation correctly. This product is dimmable with selected leading and trailing edge dimmers. It is recommended that you only use the endorsed dimmer brands. Please consult your lighting provider before installation

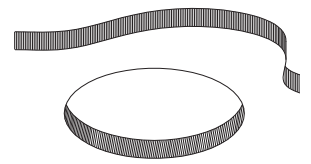
1. A. Isolate the mains power supply before commencing installation.  
B. Cut hole in desired position.
2. Feed mains cable through cut-out and plug into mains supply.
3. Connect fitting to LED driver.
4. Set desired LED colour temperature on the LED Driver
5. Fold spring clips and push into cut-out.
6. Fit downlight into ceiling cut-out.
7. Ensure correct lighting installation, switch power supply on.

① A



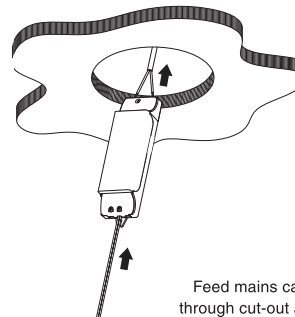
Isolate mains power

B



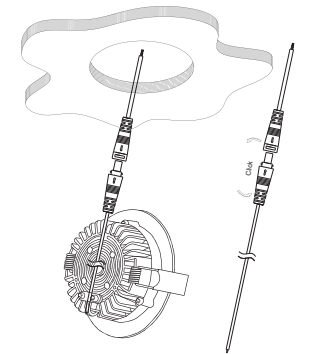
Cut hole in desired position.  
Cut out depends on extension plate diameter.

②



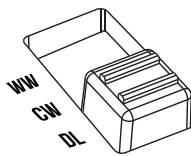
Feed mains cable through cut-out and plug into mains supply.

③



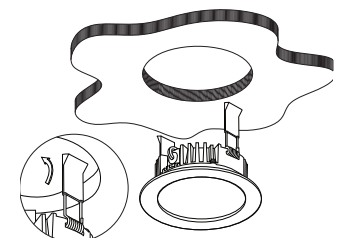
Connect fitting to LED Driver.

④



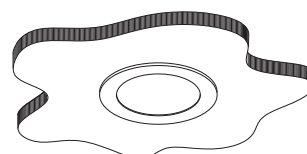
Set desired LED colour temperature on the LED Driver.

⑤



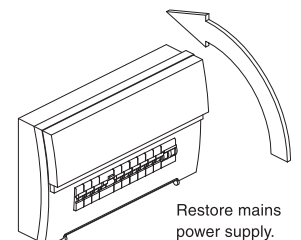
Fold spring clips and push into cut out.

⑥



Downlight fully installed into ceiling cut-out.

⑦



Restore mains power supply.

## Risk of Fire

CAN BE COVERED AND ABUTTED

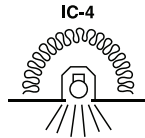
**HCB** = Minimum distance between the top of the recessed luminaire and any building element above it.

**MIC** = Minimum distance between the top of the recessed luminaire and the building insulation above it.

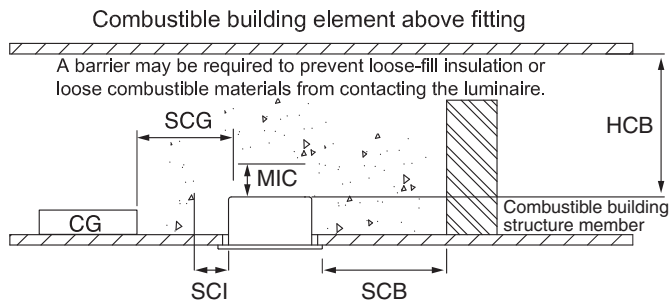
**SCB** = Minimum distance between the side of the recessed luminaire and any building element.

**SCI** = Minimum distance between the recessed luminaire and any building insulation.

**SCG** = Side clearance to auxiliary equipment [control gear (CG)]



CAN BE COVERED AND ABUTTED



### Risk of Fire - Required clearance from structural members and building elements.

**HCB: 0mm MIC: 0mm SCB: 0mm SCI: 0mm SCG: 0mm**

### CONTROL GEAR

An independent controlgear that can be used where normally flammable materials, including building insulation, are or may be present, but cannot be abutted against any material and cannot be covered in normal use.



**HCB: 25mm MIC: 10mm SCB: 25mm SCI: 15mm**

**Warning: Risk of overheating or fire if the clearance distances are compromised.**

Driver models supplied with the AT9087

Code	Description
AT9087/DRIVER/12	12W LED Driver Constant Current Dimmable 30-40Vdc 300mA
AT9087/DRIVER/16	16W LED Driver Constant Current Dimmable 30-40Vdc 400mA
AT9087/DRIVER/24	24W LED Driver Constant Current Dimmable 30-40Vdc 600mA
AT9087/DRIVER/30	30W LED Driver Constant Current Dimmable 30-40Vdc 750mA

## Warranty

Atom products are distributed in Australia by Atom Pty Ltd (Atom).

The Australian Consumer Law as well as other Australian laws guarantee certain conditions, warranties and undertakings, and give you other legal rights, in relation to the quality and fitness for purpose of Atom products sold in Australia.

In Australia, our goods come with guarantees that cannot be excluded under the Australian Consumer Law. You are entitled to a replacement or refund for a major failure and compensation for any other reasonably foreseeable loss or damage. You are also entitled to have the goods repaired or replaced if the goods fail to be of acceptable quality and the failure does not amount to a major failure. What constitutes a major failure is set out in the Australian Consumer Law.

Nothing in this Warranty purports to modify or exclude the conditions, warranties and undertakings, and other legal rights, under the Australian Competition and Consumer Act and other Australian laws. Atom products are warranted in Australia for a period specified on packaging from the date of delivery of the product, provided that the products are properly stored, installed, used and maintained in accordance with the instructions contained within their manual.

Products that have been altered in any way or used other than in accordance with their instructions are not covered by this Warranty.

This Warranty is not transferable and is valid only in the hands of the purchaser of the product. The warranty does not cover Atom products other than those purchased from Atom. Proof of purchase must be provided to Atom with any warranty claim. Atom recommends that the purchaser attaches their proof of purchase to their product manual.

If you wish to claim under this Warranty, you must, at your own expense, return the product or that part of the product which you believe is defective, and proof of original purchase, your name, address and telephone number and a certificate of installation or other document required by the law for the installation of electrical products in the place in which the product was installed, to Atom at the address above within the warranty period from the date of purchase.

Please note that the Warranty does not cover removal or re-installation of the product or that part of the product which you believe is defective.

Atom's total liability under this Warranty is limited to the cost of repair or replacement of the faulty product. Atom may satisfy its obligations under this Warranty in full by repair or replacement of a faulty product. This Warranty does not apply to consumable items such as lamps or batteries or other items that can be classified as consumable.

For the avoidance of any doubt, any and all warranties or conditions which are not guaranteed under the Australian Competition and Consumer Act or the Australian Competition and Consumer Regulations 2010 and which are not expressly included in this Warranty as additional warranties or conditions are excluded.

This Warranty does not cover loss or damage caused by wear and tear, misuse, incorrect installation or operation, failure to clean and maintain, incorrect voltage or non-authorized electrical connections, adverse external conditions (such as power surges and dips, acts of God, exposure to heat, corrosion, insect or vermin infestation), use of non-authorized or defective parts or globes, or to items that have been repaired other than by Atom or a repairer approved by Atom.

V1.2

### Atom Lighting Pty Ltd

Atom is a registered brand of Evolt PTY Limited.

For further information please call Evolt's head office on 1300 4EVOLT (438 658).

Evolt PTY Limited PO BOX 271 KINGSGROVE NSW 1480

ABN 83 112 123 529

Due to changes in industry standards and Atom's policy of continual product development, product specifications are subject to change without notice.

Images are for illustrative purposes only

Atom Lighting is an Evolt Company.