

Atom Lighting

Installation Sheet

Model Number: AT9045
 Description: 12 W High Power LED Downlight
 Finish: White / Warm White / Cool White / Daylight

This product may contain substances that can be hazardous to the environment if not disposed of properly. Electrical and electronic equipment should never be disposed of with general household waste but must be separated for its correct treatment and recovery. Where possible recycle your packaging.



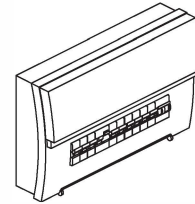
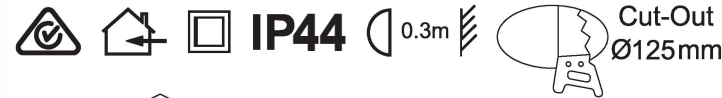
IMPORTANT INFORMATION

- It is recommended that luminaires are installed and fitted by a licensed electrician in line with current wiring regulations.
- Do not install this product on damp or newly plastered ceilings.
- Always ensure there is adequate free air ventilation around the luminaire at all times.

TECHNICAL SPECIFICATION

Electrical Classification: Class II
 Voltage: 240Volt 50Hz
 Ingress Protection: IP44
 Rated Wattage: 12W
 Beam Angle: 90°
 Driver Constant Current: 350mA
 Output: 820lm (WW) / 900lm (CW) / 960lm (DL)

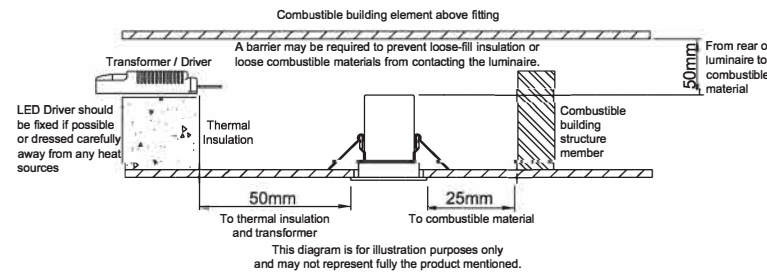
APPROVALS AND CLASSIFICATIONS



Always switch off the mains supply before Installation or Servicing.

SUGGESTED METHOD OF INSTALLATION

Read Instructions and check you have all the tools and accessories to complete the installation correctly.



STEP 1

(a) Isolate the mains supply before connecting the downlight. (b) Unpack the luminaire and check that you have all the tools to install the luminaire safely and in compliance with current electrical standards. Ensure there are no obstructions or services in the way. Cut Ø125mm aperture in the ceiling. We recommend that a sample hole is cut in some scrap material to familiarise yourself with the installation.

STEP 2

With the power turned off, make electrical connections, terminate mains supply cable into LED driver. Pass the driver through the aperture, if possible try to place in a well ventilated area or fix away from the luminaire.

STEP 3

Offer the luminaire up-to the ceiling cut-out and connect the 'Plug & Play' leads together as illustrated.

STEP 4

Holding the luminaire level with the front facing down, rotate the ceiling spring clips upwards and offer-up to the cut-out. Ensure the supply cables are dressed away from the fixings and ensure the luminaire is pressed carefully into the ceiling.

STEP 5

(a) When the luminaire is half way into the void allow the springs to release. The luminaire should then hold itself firm. Press luminaire firmly into place. The product should be installed flush to the ceiling surface. (b) Restore the power supply, switch on and test for correct operation.

VOID AMBIENT TEMPERATURE

Atom Lighting recommends a Max. of 50°C ambient in the ceiling void, temperatures above this might reduce the life expectancy of the luminaire.

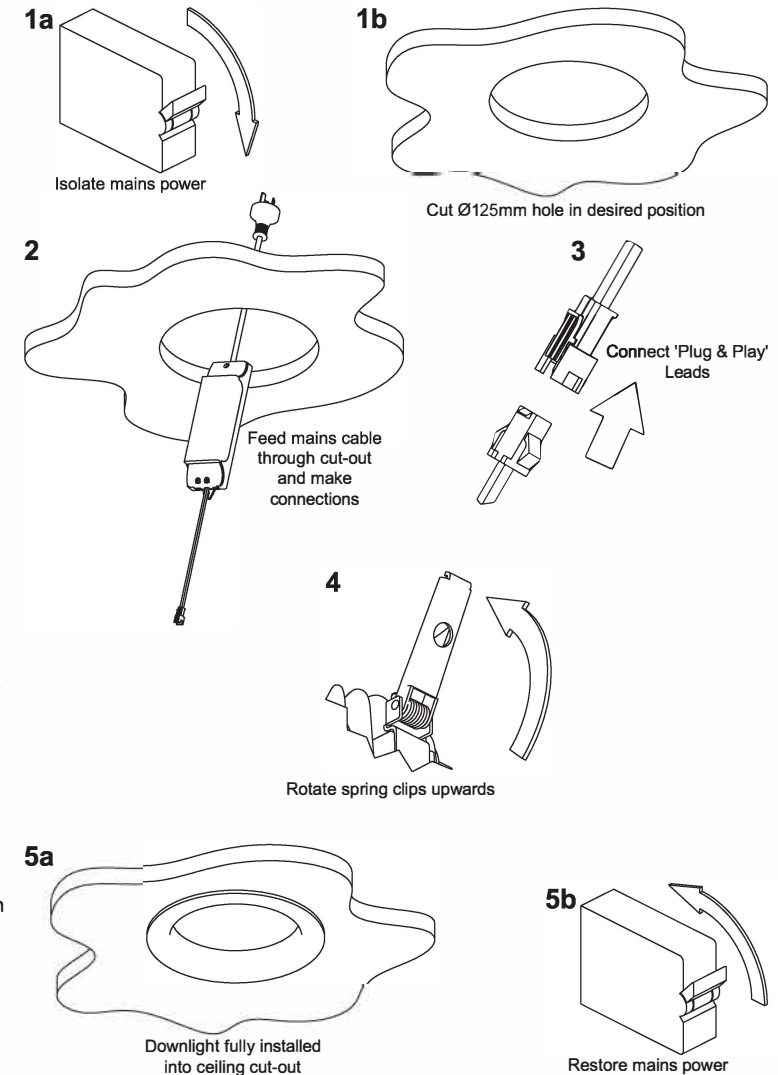
MAINS CONNECTION OF THE DRIVER

Primary 240V 50Hz. Class II

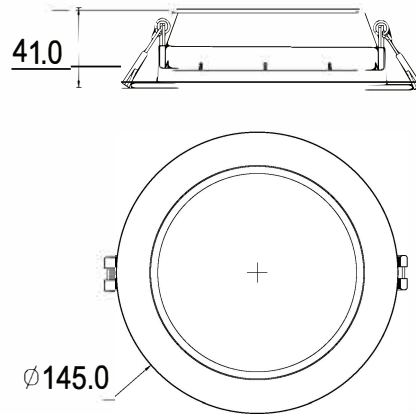
Wire - Brown cable to connection marked "L"

Wire - Blue cable to connection marked "N"

This is a double insulated driver, however earth provision has been provided for terminating only.



DIMENSIONS



DIMMABLE LUMINAIRE

This product is dimmable with standard "Triac Dimmers". It is recommended that you only use the endorsed dimmer brands. Please consult your lighting provider before installation.

GUARANTEE

This product is guaranteed for a period of 3 years from the date of purchase. The guarantee is invalid in the case of improper use, improper installations or tampering. Should the product fail during the guarantee period it will be replaced free of charge, subject to correct installation and return of the faulty unit. The provider is not responsible for any costs associated with the replacement of this product.



Atom Lighting Warranty

Warranty -

Please see Atom Lighting's website (www.atomlighting.com.au) and individual product packaging for details and duration of warranty period.

Atom Lighting will warrant this product against defects in manufacture and workmanship for a period, as specified on the packaging, from date of purchase (in the case of LED products, the extended warranty will be 3 years).

Products must be installed by a qualified Electrical Contractor and will only be warranted if the product is operated within the guidelines and recommended voltage range specified by Atom Lighting and detailed on the rating label.

Warranties will only be valid if proof of purchase is supplied and will be void if damages occur from the following:

- * Incorrect installation.
- * Irregular cleaning or maintenance
- * Installation or servicing by unauthorised/unqualified personnel.

Atom Lighting may also require proof of installation by a **Qualified Electrical Contractor**.

Atom Lighting provides this warranty, in addition to other rights and remedies of the consumer, under the law in relation to the goods or services to which the warranty relates.

Please note - Our goods come with guarantees that cannot be excluded under the Australian Consumer Law. You are entitled to a replacement or refund for a major failure and for compensation for any other reasonably foreseeable loss or damage. You are also entitled to have the goods repaired or replaced if the goods fail to be of acceptable quality and the failure does not amount to a major failure.

Any claim under this warranty must be made within the given period from the date of purchase of the product. To claim under this warranty the product must be returned with proof of purchase to the store where it was originally purchased. Alternatively, contact Atom Lighting direct using the following details:

Atom Lighting Pty Ltd
Sales Office
17 Telford Place, Arundel
Queensland 4214
Ph : 07 5537 1022
Fax : 07 5537 1055
Email : sales@atomlighting.com.au
www.atomlighting.com.au