

AT9029 TRI

10W LED COB Adjustable & Fixed head with dimmable driver

- Avail. In small, fixed & adjustable versions
- Supplied with dimmable LED driver
- Low-glare UGR 19 rating
- Ideal for commercial, retail, showroom and decorative



ORDERING INFORMATION

Order code	11675
Description	10W LED COB Adjustable downlight w/Dimm Driver - 50Deg beam - 90mm cut-out - Black - TRI CCT
Driver Type	Dimmable (Phase cut)
Item Code	AT9029/ADJ/BLK/TRI

EFFICIENCIES

Total System Efficiency 90 lm/W

The performance of each component of a luminaire is demonstrated through its efficiencies, which together determine the total system efficiency of the product. The output of the LED chip is first multiplied by the optical and thermal efficiencies to calculate the Luminaire efficiency. However, this calculation does not consider the driver efficiency. To determine the overall efficiency of the system, the Luminaire efficiency must be multiplied by the driver efficiency, which accounts for all losses in the system.

MECHANICAL

Adjustability	Adjustable
Body Material	Aluminium
Diffuser Material	Glass
Product Finish	Powdercoated
Fitting Colour	Black
IC Rating	IC-4
IC-4 rating has been conducted at the products maximum working Temperature Range (C) in line with Australian standards. This provides the required safety when covered with insulation and used in Australian Environments.	
Installation Type	Recessed

IP Rating IP54 Front Face Only

ELECTRICAL

Electrical Rating	Class II
Input Frequency	50 Hz
Input voltage	230Vac
In Australia the Input voltage is defined as 230Vac -6%/+10%. This effectively means that the voltage range of these products are 216Vac - 253Vac or 240V +6%	
Switch Type	Inline
System Max Wattage	10 W
Working Temp Range	-20 to 40 °C

LAMP

Beam Angle	50 °
CCT Configuration	TRI-CCT
Colour Rendering Index (CRI)	>80
Lamp/LED Current	230 mA
Lamp/LED voltage	36 V
UGR	<16

LED LIFETIME

Ambient Temp (°C)	25 °C	40 °C
L80B10	>55000 hrs	>55000 hrs

This rating defines the performance of the led within its lifetime. L relates to lumen depreciation, where the proceeding number gives the resultant lumen output at the end of it reported lifetime. L70, would mean 30% lumen depreciation which means 70% of its initial output and is tested accordingly to TM-21. The B part refers to failures, which can be define as the percentage of LEDs which fall below the L value in the projected lifetime. A value of B10 refers to 10% failure and a value of B50 refers to 50% failure. After the defined lifetime, the system will reach the defined

lumen depreciation and the average led failures is defined by the B rating. The B rating is defined in and tested to IEC62717.

TM-21 Test Hours 10000 hrs

COLOUR TEMPERATURE

Warm White (3000 K)	820 lm
Cool White (4000 K)	900 lm
DayLight (5000 K)	860 lm

DRIVER

Dimmable	Yes
Driver Included	Yes
Integrated Driver	No
Driver Type	Dimmable (Phase cut)
Wiring Type	Re-wireable Flex & Plug (2 pin)

COMPLIANCE

Daily Use 12 hrs

The Daily Use is the recommended time required to meet the product's design life. Installations can exceed this time, however the product design life will be reduced proportionally.

Standards	AS/NZS 60598.1 AS/NZS 60598.2.2 AS/NZS 61347.1 AS/NZS 61347.2.13 AS CISPR 15
------------------	--

WARRANTY

Domestic Use Warranty	3 RTB (Total 3 Years)
VIP Warranty	2 Onsite, 3 RTB (Total 5 Years)

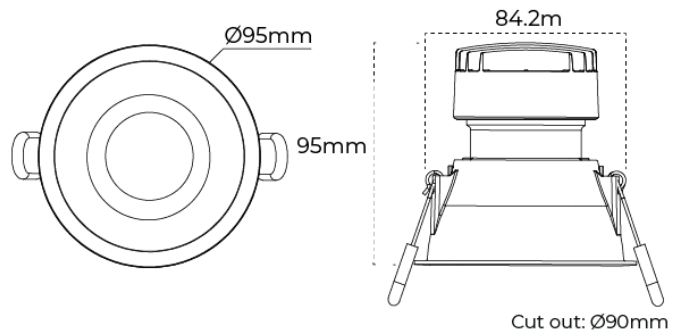
VIP warranty is available to registered users and is subjected to additional terms and conditions.

DIMENSIONS

Cutout	90 mm
Product Diameter	95 mm
Product Height	95 mm

LINE DRAWINGS

AT9029/ADJ/TRI



ACCESSORIES

Order code	10121
Description	140mm Downlight Extension Plate - White
Item Code	AT9018/WH
Order code	10130
Description	170mm Downlight Extension Plate - White
Item Code	AT9019/WH

AT9029 TRI

10W LED COB Adjustable & Fixed head with dimmable driver

- Avail. In small, fixed & adjustable versions
- Supplied with dimmable LED driver
- Low-glare UGR 19 rating
- Ideal for commercial, retail, showroom and decorative



ORDERING INFORMATION

Order code	11674
Description	10W LED COB Adjustable downlight w/Dimm Driver - 50Deg beam - 90mm cut-out - White - TRI CCT
Driver Type	Dimmable (Phase cut)
Item Code	AT9029/ADJ/WH/TRI

EFFICIENCIES

Total System Efficiency 98 lm/W

The performance of each component of a luminaire is demonstrated through its efficiencies, which together determine the total system efficiency of the product. The output of the LED chip is first multiplied by the optical and thermal efficiencies to calculate the Luminaire efficiency. However, this calculation does not consider the driver efficiency. To determine the overall efficiency of the system, the Luminaire efficiency must be multiplied by the driver efficiency, which accounts for all losses in the system.

MECHANICAL

Adjustability	Adjustable
Body Material	Aluminium
Diffuser Material	Glass
Product Finish	Powdercoated
Fitting Colour	White
IC Rating	IC-4
IC-4 rating has been conducted at the products maximum working Temperature Range (C) in line with Australian standards. This provides the required safety when covered with insulation and used in Australian Environments.	
Installation Type	Recessed

IP Rating IP54 Front Face Only

ELECTRICAL

Electrical Rating	Class II
Input Frequency	50 Hz
Input voltage	230Vac
In Australia the Input voltage is defined as 230Vac -6%/+10%. This effectively means that the voltage range of these products are 216Vac - 253Vac or 240V +6%	
Switch Type	Inline
System Max Wattage	10 W
Working Temp Range	-20 to 40 °C

LAMP

Beam Angle	50 °
CCT Configuration	TRI-CCT
Colour Rendering Index (CRI)	>80
Lamp/LED Current	230 mA
Lamp/LED voltage	36 V
UGR	<16

LED LIFETIME

Ambient Temp (°C)	25 °C	40 °C
L80B10	>55000 hrs	>55000 hrs

This rating defines the performance of the led within its lifetime. L relates to lumen depreciation, where the proceeding number gives the resultant lumen output at the end of it reported lifetime. L70, would mean 30% lumen depreciation which means 70% of its initial output and is tested accordingly to TM-21. The B part refers to failures, which can be define as the percentage of LEDs which fall below the L value in the projected lifetime. A value of B10 refers to 10% failure and a value of B50 refers to 50% failure. After the defined lifetime, the system will reach the defined

lumen depreciation and the average led failures is defined by the B rating. The B rating is defined in and tested to IEC62717.

TM-21 Test Hours 10000 hrs

COLOUR TEMPERATURE

Warm White (3000 K)	890 lm
Cool White (4000 K)	980 lm
DayLight (5000 K)	930 lm

DRIVER

Dimmable	Yes
Driver Included	Yes
Integrated Driver	No
Driver Type	Dimmable (Phase cut)
Wiring Type	Re-wireable Flex & Plug (2 pin)

COMPLIANCE

Daily Use 12 hrs

The Daily Use is the recommended time required to meet the product's design life. Installations can exceed this time, however the product design life will be reduced proportionally.

Standards	AS/NZS 60598.1 AS/NZS 60598.2.2 AS/NZS 61347.1 AS/NZS 61347.2.13 AS CISPR 15
------------------	--

WARRANTY

Domestic Use Warranty	3 RTB (Total 3 Years)
VIP Warranty	2 Onsite, 3 RTB (Total 5 Years)

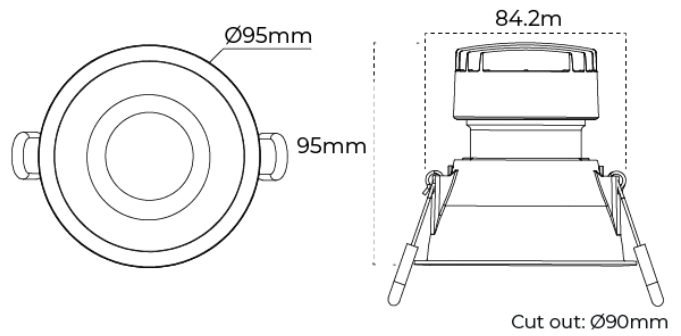
VIP warranty is available to registered users and is subjected to additional terms and conditions.

DIMENSIONS

Cutout	90 mm
Product Diameter	95 mm
Product Height	95 mm

LINE DRAWINGS

AT9029/ADJ/TRI



ACCESSORIES

Order code	10121
Description	140mm Downlight Extension Plate - White
Item Code	AT9018/WH
Order code	10130
Description	170mm Downlight Extension Plate - White
Item Code	AT9019/WH