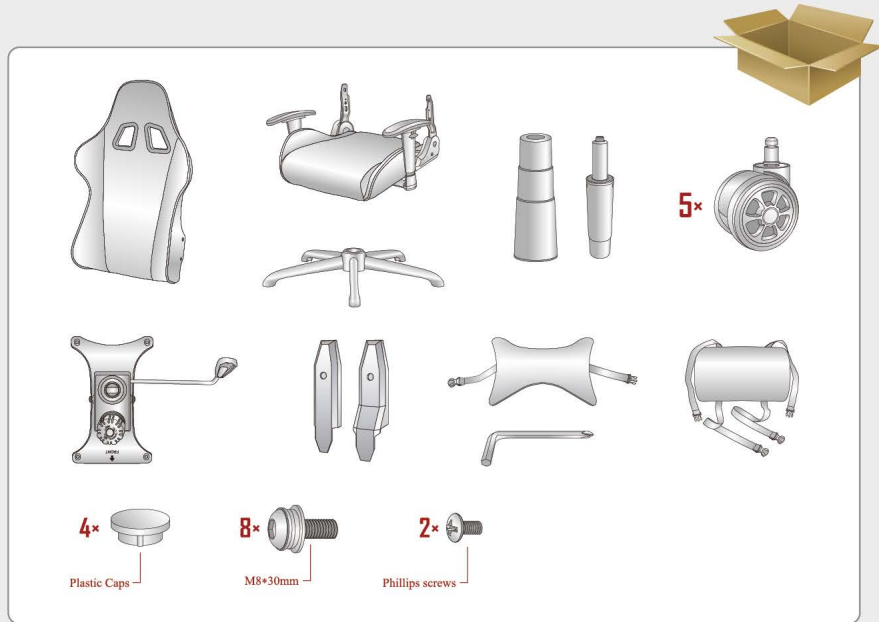
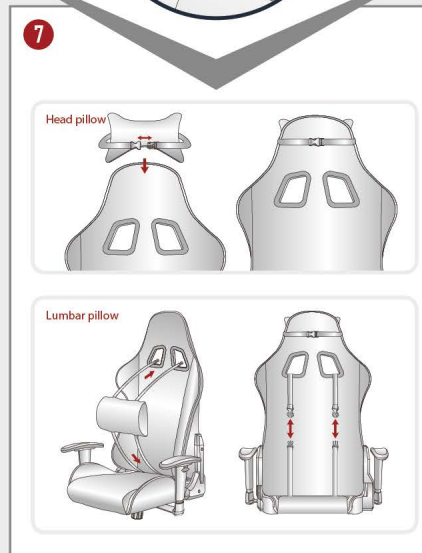
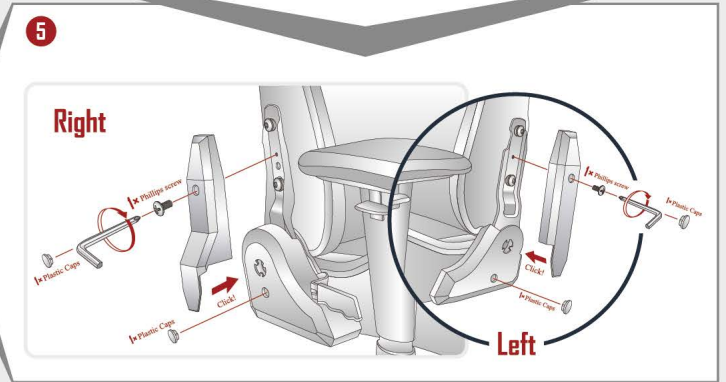
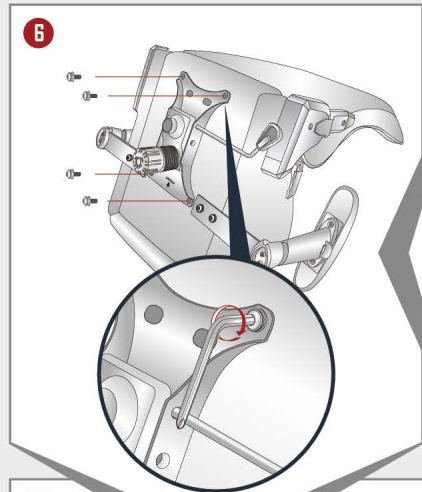
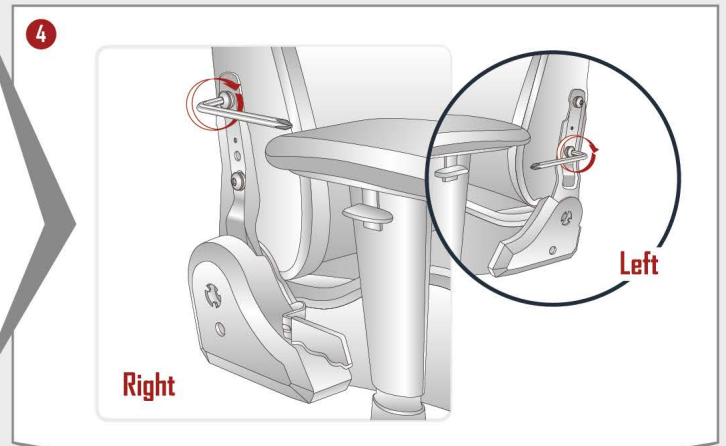
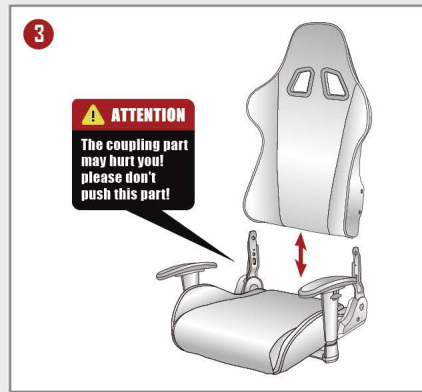
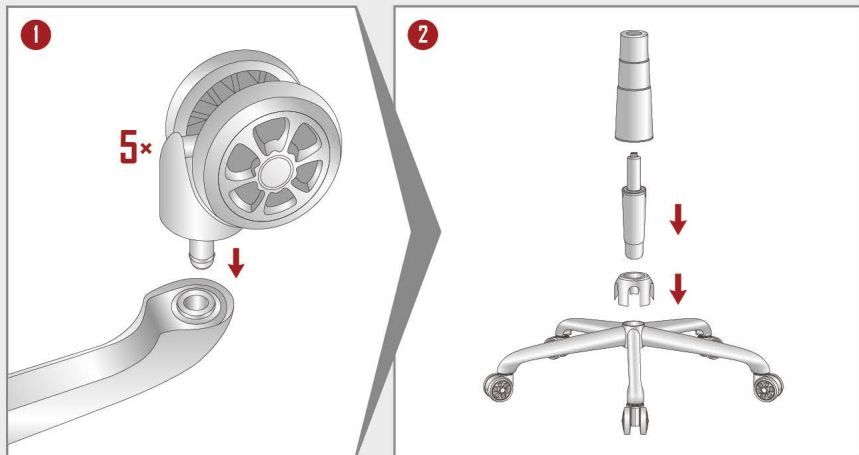


# TITANIUM

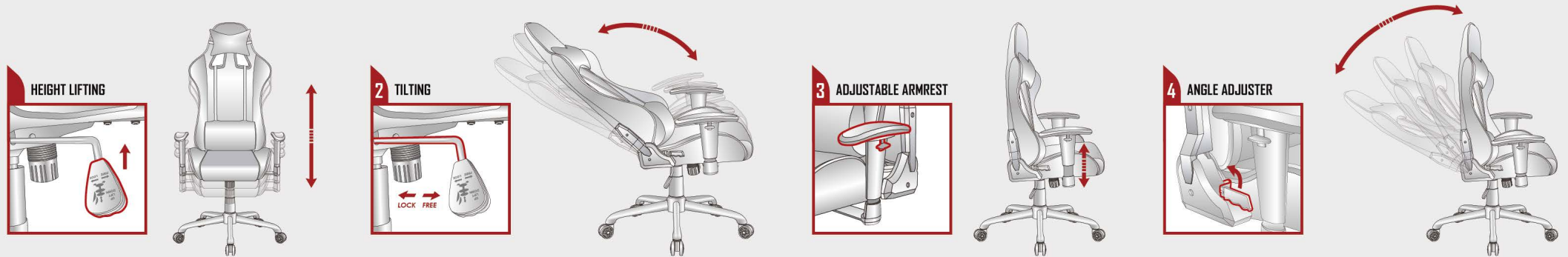
RACING CHAIR



## ASSEMBLY INSTRUCTION



## USE FUNCTION



## WARNING

1. Please use the protective gloves when assembling chairs
2. Do not tighten bolts fully until you have completed assembly
3. We recommend that you assemble this chair on a carpeted floor to avoid scratches.
4. When adjusting the chair handle, mind the gap between the toggle mechanism and your hand as your hand could get caught.
5. Do not over-extend or use excessive force when adjusting the chair angle.
6. When you are rocking the chair, do not touch the reclining mechanisms to avoid falling.
7. Be sure to put the rocking lever into the "lock" position when fully reclining the chair.
8. When fully reclining the chair, both feet should remain on the ground. Sudden or excessive force on the backrest could result in the chair tipping, as could horseplay, and both should be avoided.
9. The armrests are not designed for sitting upon. The edge of the seat is for supporting the knees. Do not sit on the edge of the chair.
10. Avoid leaving the chair in direct sunlight to prevent fading.
11. Clean with gentle cleansers when necessary. Do not scrub excessively.
12. All parts should be checked monthly.