

XF107-Sprayer Rack Mounting Instructions

Figure 1.)

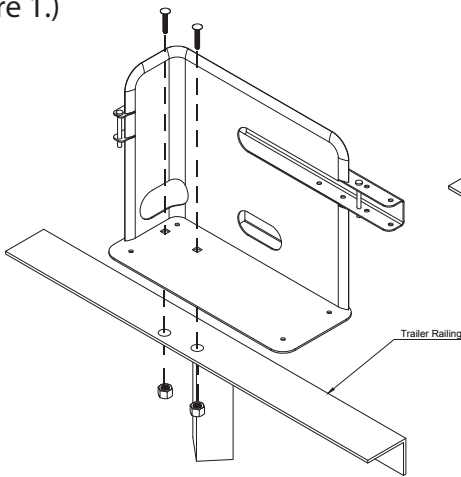
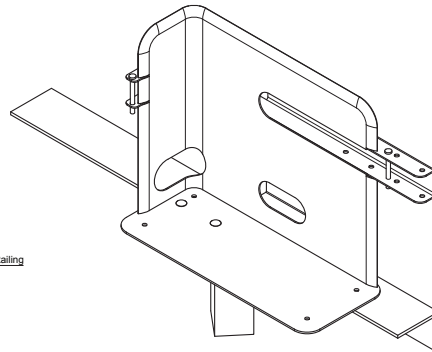
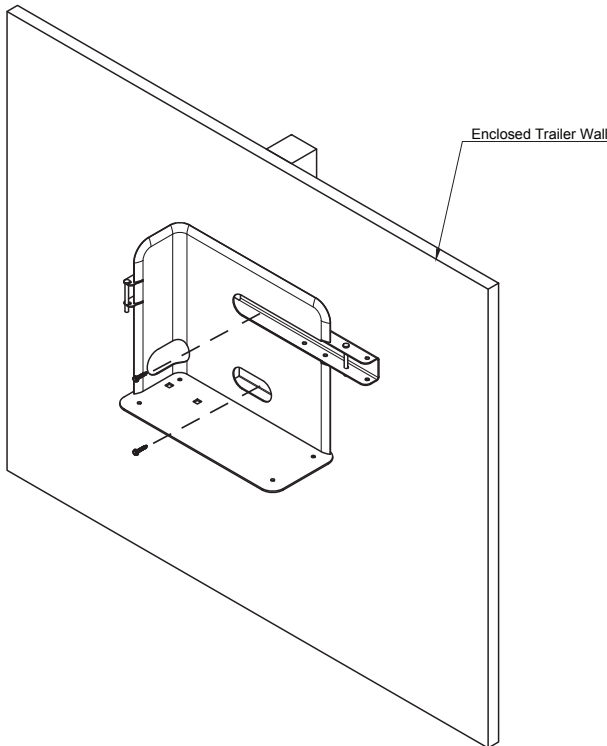


Figure 2.)



OPEN TRAILERS:

- 1.) Choose a mounting location on the rail of your trailer, that is directly over an upright support (See figures 1 and 2)
- 2.) Using the base plate of the rack as a template, mark the location of the holes and drill with a 27/64" bit.
- 3.) Bolt the rack in place.

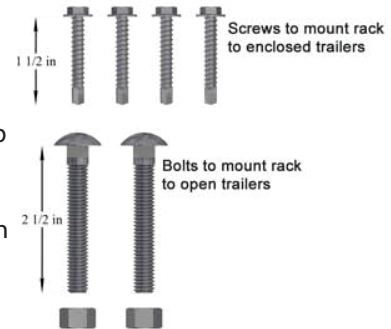


ENCLOSED TRAILERS:

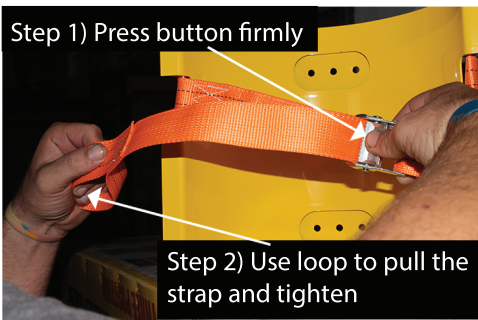
- 1.) Choose a mounting location on the wall of your trailer, it should be directly over a rib support.
- 2.) Install the two middle screws through the rack and into the steel rib support.

NOTE: If you wish to mount the rack in a location that has no steel support, use four screws in the outside holes.

Included Hardware



Strap Tightening procedure



Extensions

Extensions are used to stabilize trailers that have unstable rails, they also allow racks to be mounted to trailers with round rails. To determine what size you need measure from the floor of the trailer to the top of the rail. (Call to Order)

Item#	Height:
EA014	14"
EB020	20"
EC024	24"



Domestic Truck Mount Kit

Kit inserts into stake pocket to allow racks to be mounted. Fits Ford, Chevy, & Dodge full size pickup trucks. (Call to Order)

Item# EI086

