

# XE106-Water Cooler Rack Mounting Instructions

## Open Trailers

Figure 1.

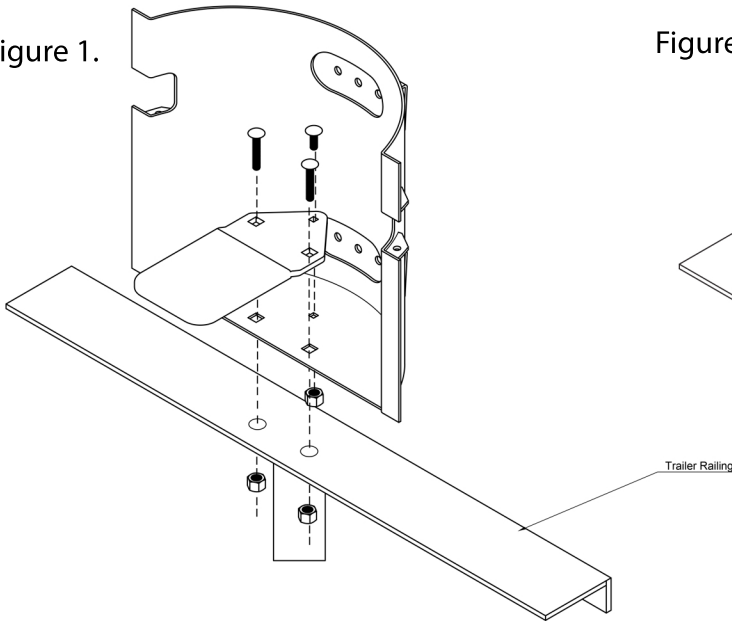
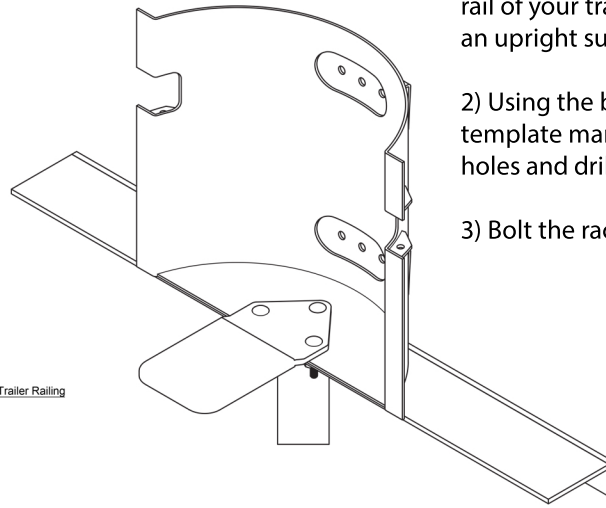
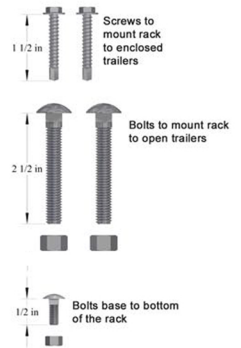


Figure 2.

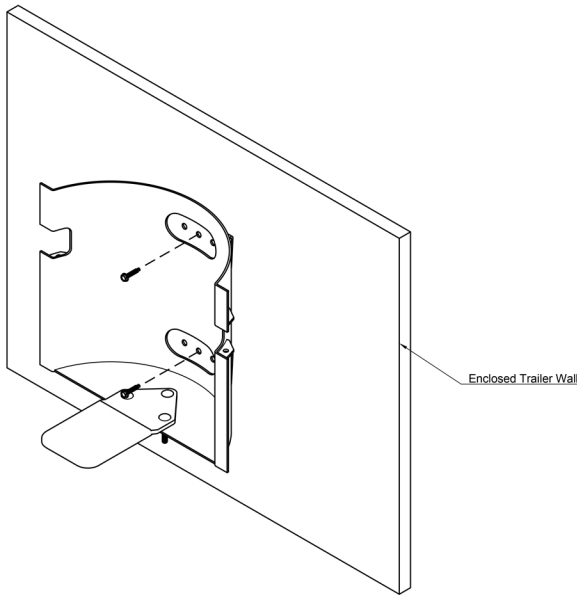


- 1) Choose a mounting location on the rail of your trailer that is directly over an upright support
- 2) Using the base plate of the rack as a template mark the location of the holes and drill with a 27/64" bit.
- 3) Bolt the rack in place.

### Included Hardware

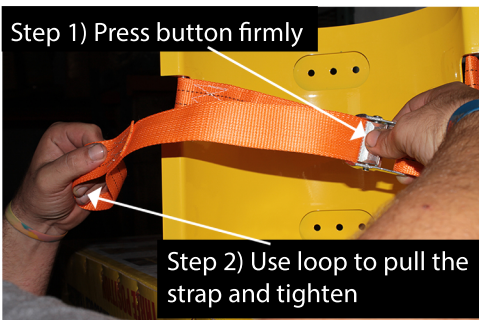


## Enclosed Trailers



- 1) Mount the base plate to the rack using the 3/4" bolts.
- 2) Choose a mounting location on the wall of your trailer. It should be directly over a mounting rib support.
- 3) Install the two middle screws through the rack and into the steel rib support.

## Strap Tightening procedure



### Extensions

Extensions are used to stabilize trailers that have unstable rails, they also allow racks to be mounted to trailers with round rails. To determine what size you need measure from the floor of the trailer to the top of the rail. (Call to Order)

Item#	Height:
EA014	14"
EB020	20"
EC024	24"



### Domestic Truck Mount Kit

Kit inserts into stake pocket to allows racks to be mounted. Fits Ford, Chevy, & Dodge full size pickup trucks. (Call to Order)  
Item# EI086

