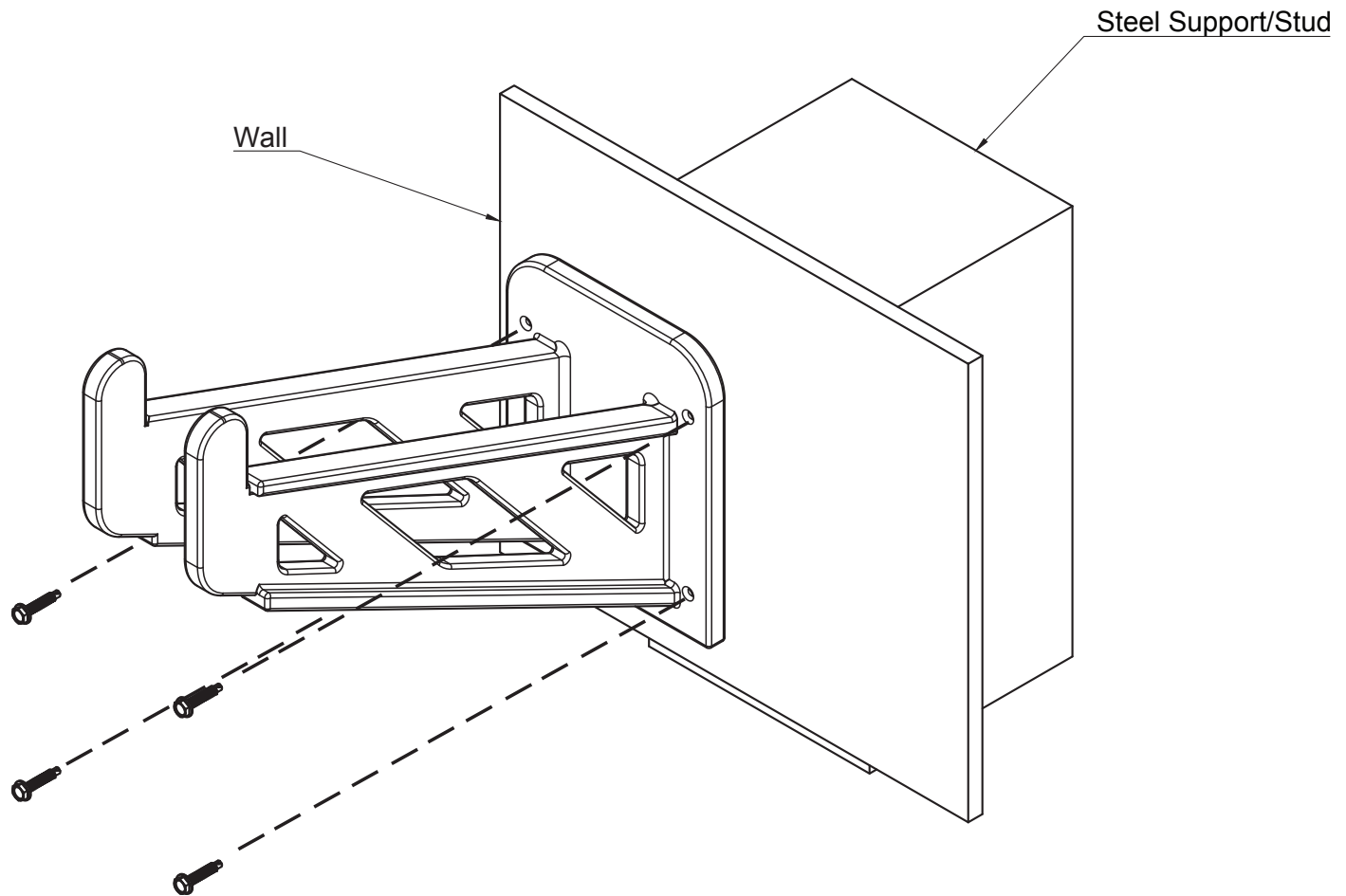


TC053 - Large Hand Tool Rack (For Enclosed Trailers) Assembly Instructions



Mounting to Enclosed Trailers:

- 1) Drill the self drilling / self tapping screws directly through the plywood & into a steel support on your trailer wall.
- 2) Place the Hand Tools into the Rack

Mounting to Garages:

- 1) Locate a stud in your wall
- 2) Secure the hand tool rack to the wall using the self drilling / self tapping screws.
- 3) Place the Hand Tools into the Rack

Need help installing? Contact us.

Phone: (561) 659-5525

Email: info@TrailerRacks.com