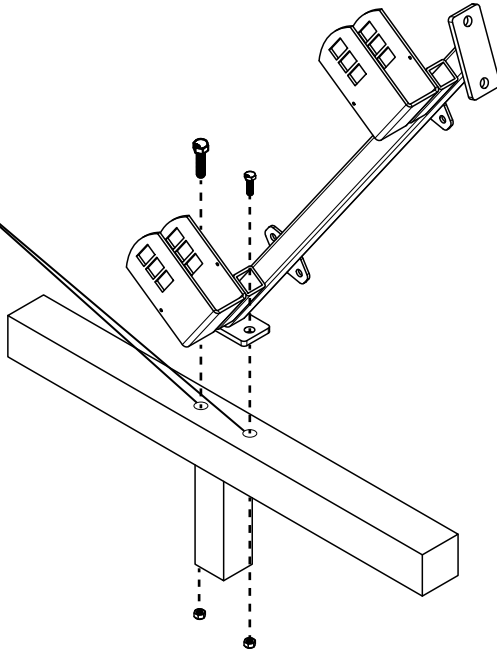


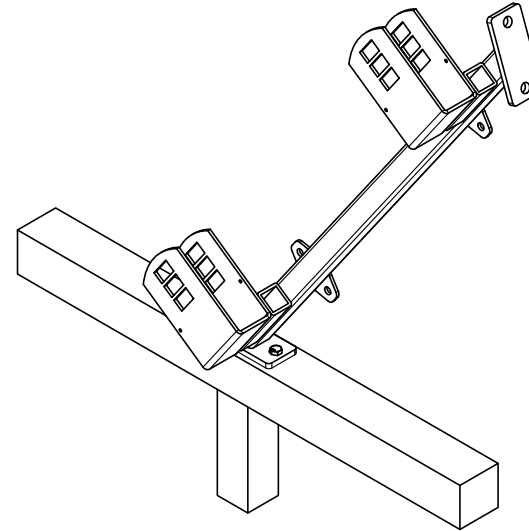
HA041-Hedge Trimmer Rack Installation Instructions

Open Trailer

- 1.) Drill 3/8 inch holes directly over an upright support and bolt rack on.
- 2.) If your trailer railings aren't strong enough, an extension may be required to add support. These are available for purchase on our website.



Fully Assembled Hedge Trimmer Rack



Hedge Trimmer Mounting Methods

Single Sided Hedge Trimmer

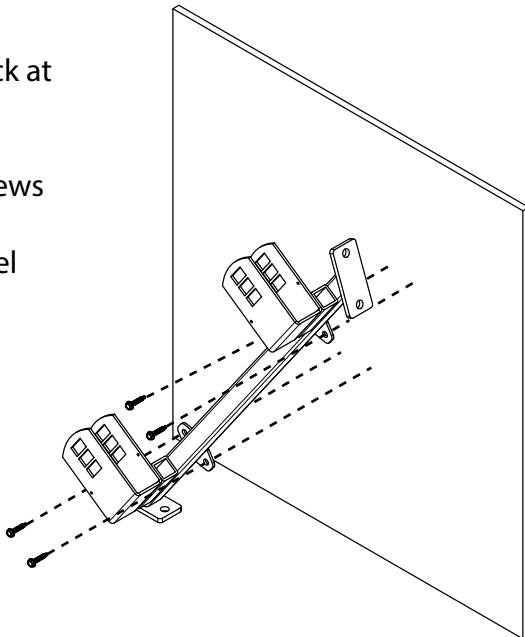


Double Sided Hedge Trimmer

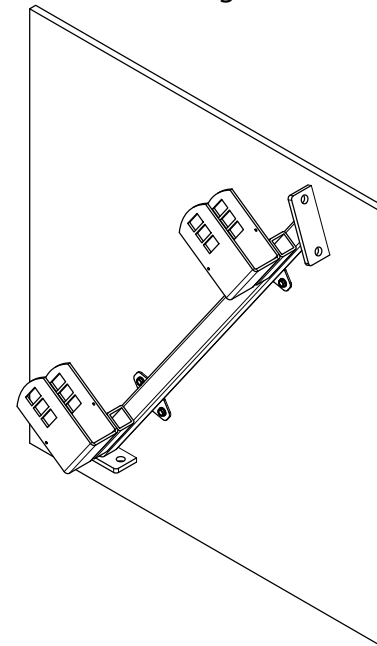


Enclosed Trailer

- 1.) Be sure to mount rack at a 45 degree angle for optimal use.
- 2.) Drill self tapping screws directly through the plywood and into a steel support on your trailer wall.



Fully Assembled Hedge Trimmer Rack



Need Help? Contact Us!

Phone: 561.659.5525

Email: Info@GreenTouch.com

Web: TrailerRacks.com