



# PIRANHA GARAGE ORGANIZER

## INSTALLATION INSTRUCTIONS

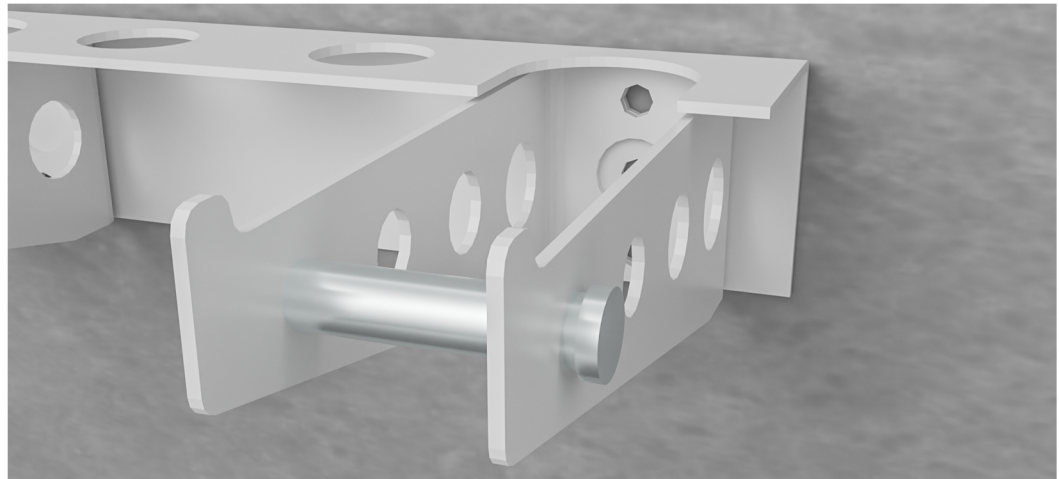
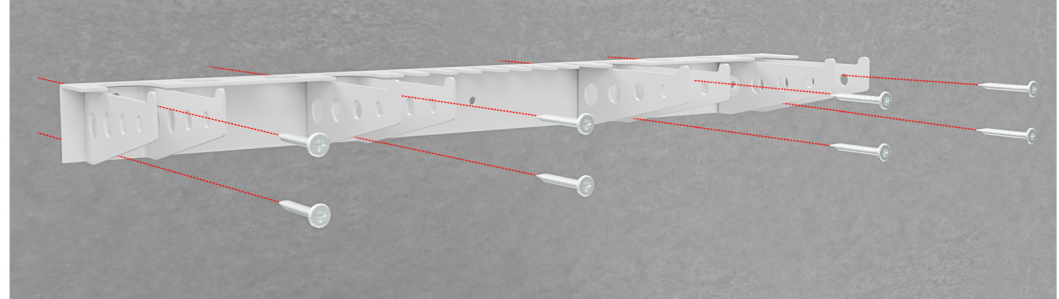
### STEP 1.



**CHOOSE A LOCATION TO MOUNT THE PIRANHA GARAGE ORGANIZER 6FT. FROM THE GROUND.**

### STEP 2.

USING THE SCREWS PROVIDED, DRILL RACK DIRECTLY INTO WALL THROUGH PRE-DRILLED HOLES. ON THE RACK.



### ADDITIONAL INFORMATION

IF STORING A TRIMMER OR MOTORIZED EQUIPMENT, USE LARGE SECURING ROD TO FASTEN EQUIPMENT IN PLACE.

Need Assistance?  
Call: 561-659-5525  
Email: [Info@GreenTouch.com](mailto:Info@GreenTouch.com)

Green Touch Industries  
100 N. Federal Hwy.  
Lake Park, FL 33403