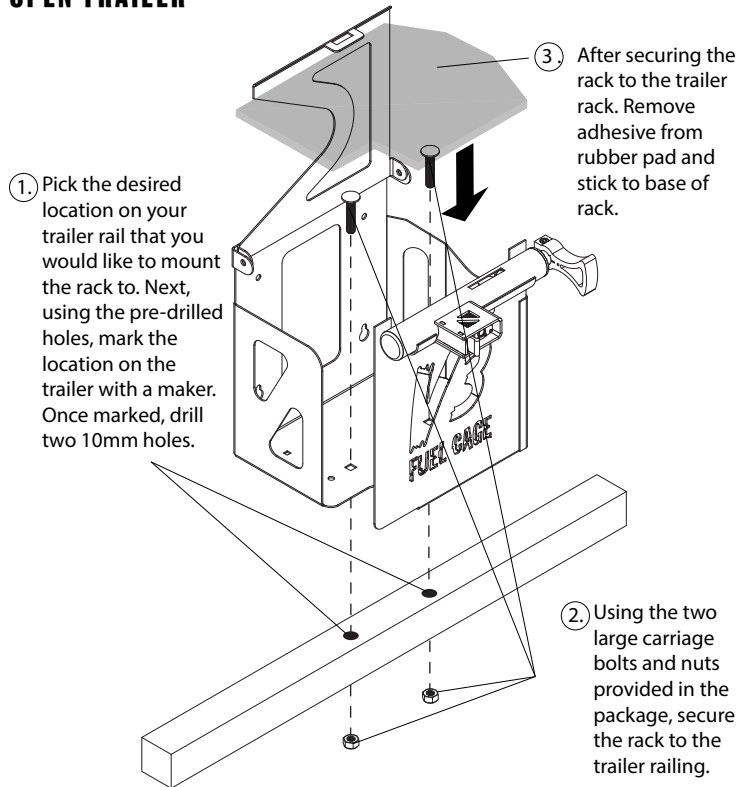


# FUEL CAGE

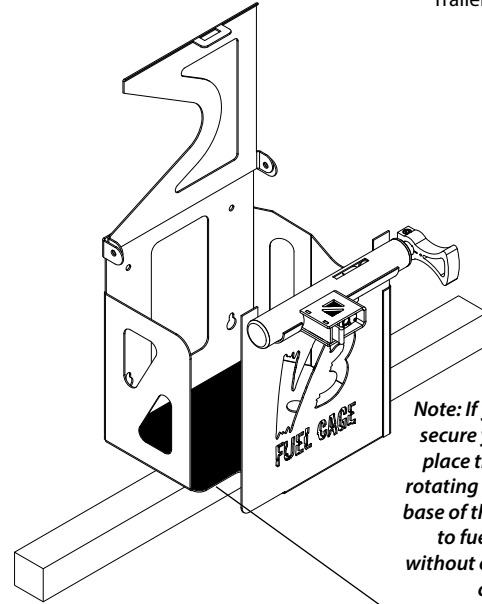
## LOCKABLE GAS CAN RACK

# INSTALLATION INSTRUCTIONS

### OPEN TRAILER

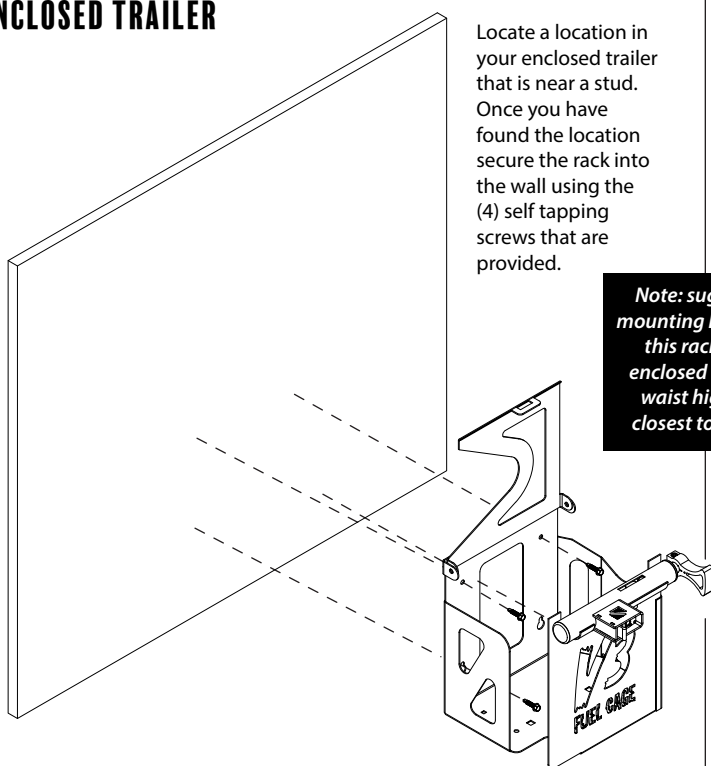


Fully Assembled Fuel Cage on an Open Trailer Application



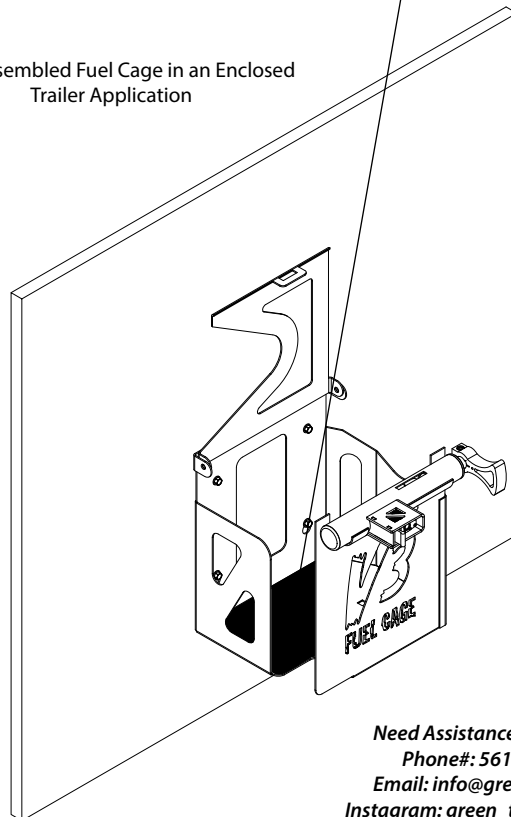
*Note: If you are using this rack to secure your SureCan, be sure to place the can in the rack so the rotating spout is over cutout in the base of the rack. This will allow you to fuel your equipment/can without ever having to remove the can from the rack.*

### ENCLOSED TRAILER



*Note: suggested mounting height for this rack in an enclosed trailer is waist high and closest to a door.*

Fully Assembled Fuel Cage in an Enclosed Trailer Application



*Need Assistance? Contact us!*  
 Phone#: 561.659.5525  
 Email: info@greentouch.com  
 Instagram: green\_touch\_industries  
 Facebook: Green Touch Industries  
 YouTube: TrailerRacksDOTcom  
 Web: www.TrailerRacks.com