

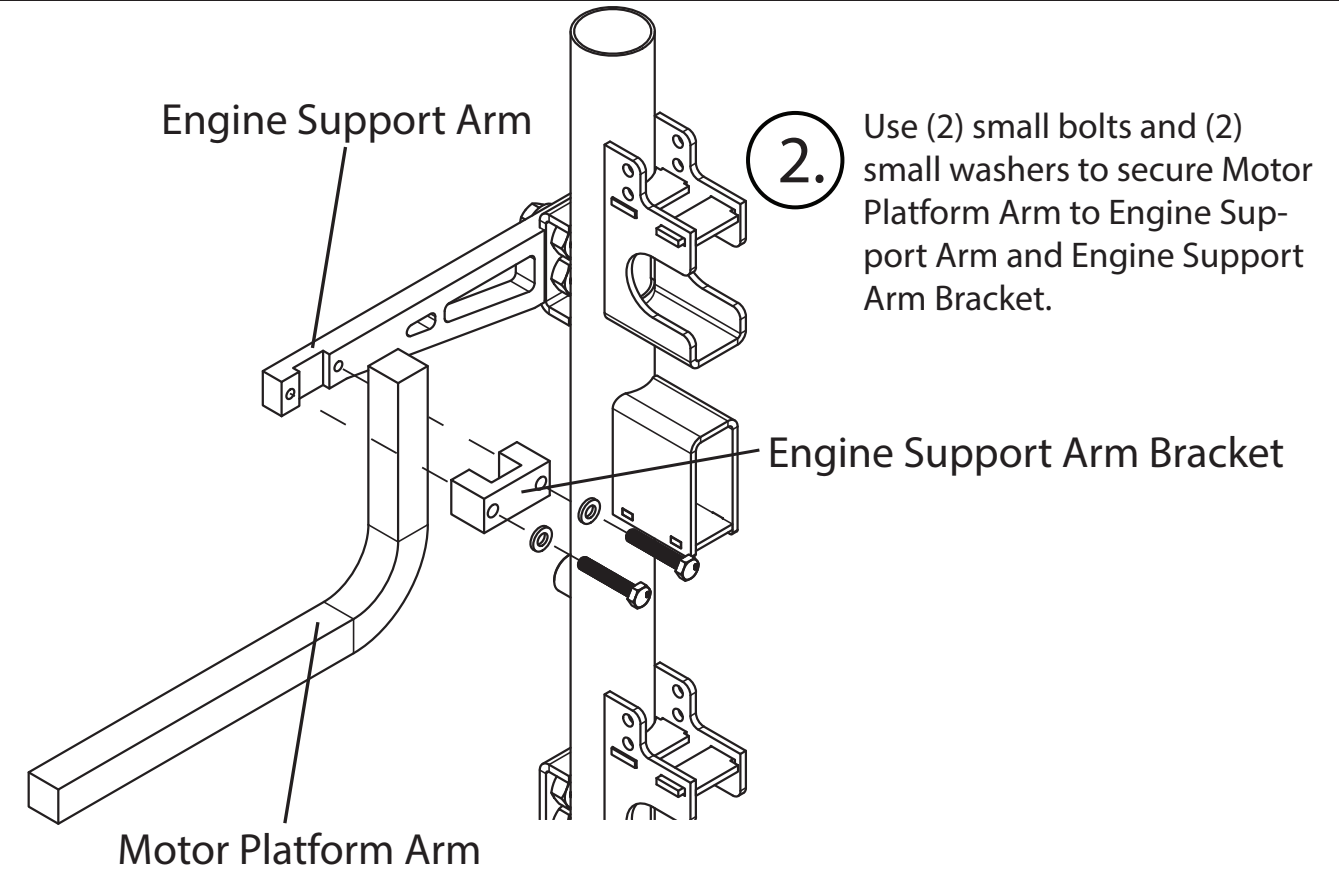
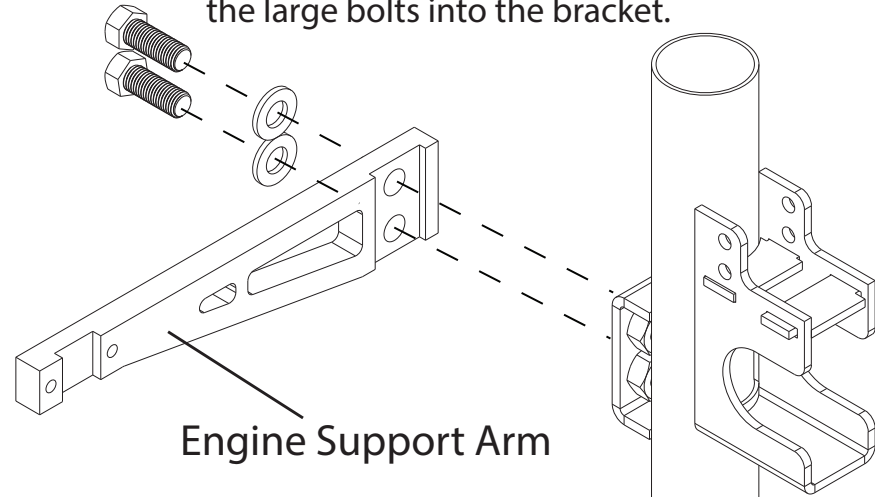
# Engine Support Kit Assembly Instructions

Need Further Assistance?

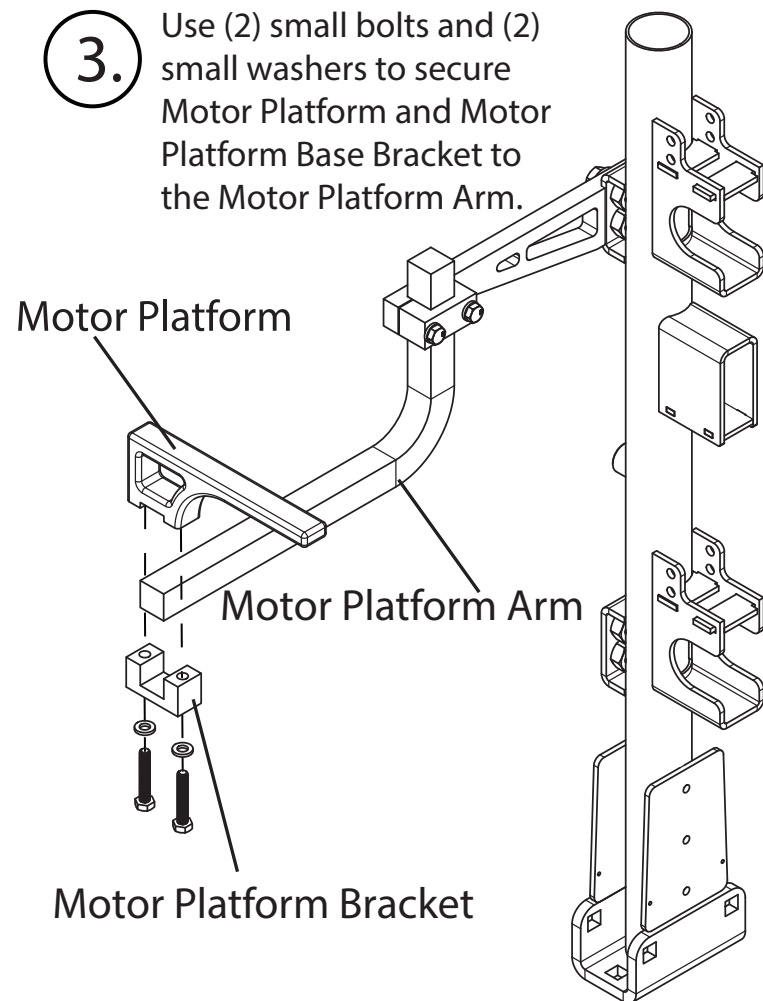
Call: 561-659-5525 or Email: [Info@TrailerRacks.com](mailto:Info@TrailerRacks.com)

Web: [YouTube: TrailerRacksDOTcom](https://www.youtube.com/channel/UC...) or [TrailerRacks.com](http://TrailerRacks.com)

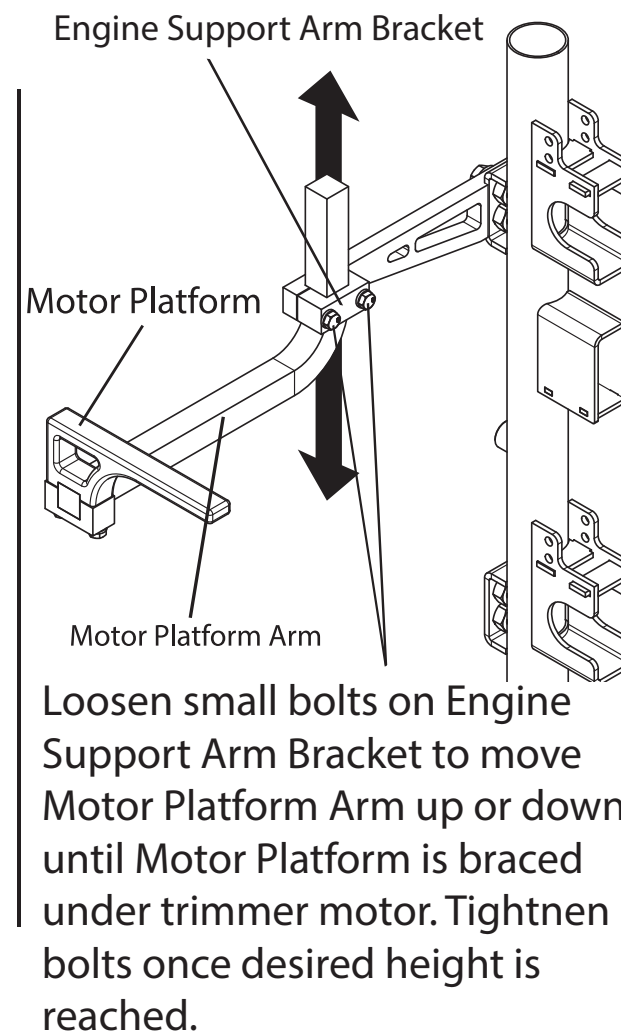
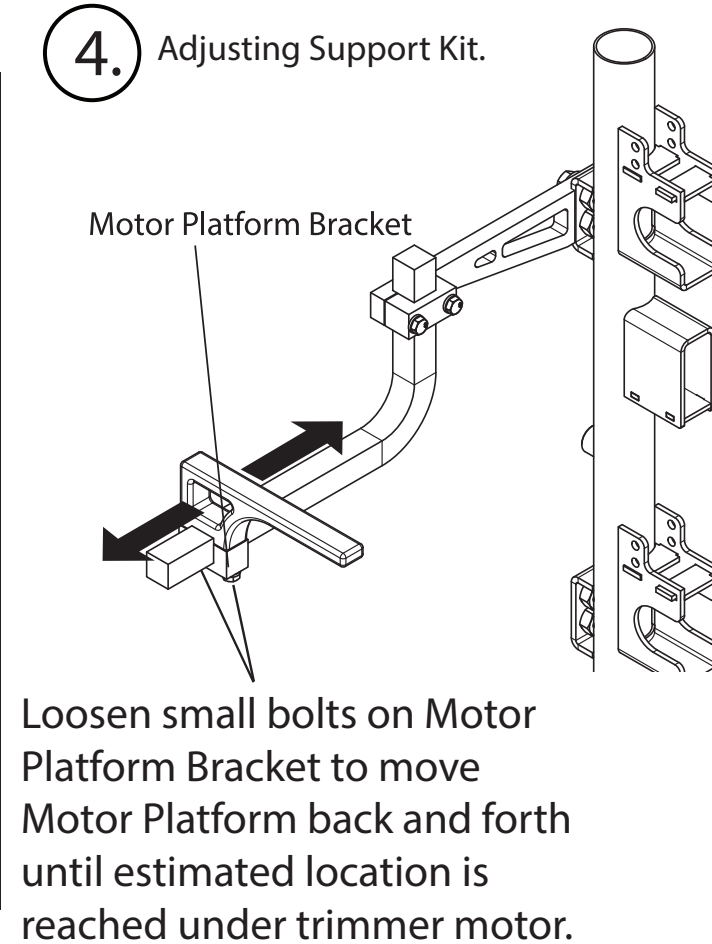
- 1.** Use (2) large bolts and (2) large washers to secure the Engine Support Arm to the rear of the trimmer rack. On the rear of the trimmer rack is a welded bracket with nuts that have been welded on and will guide the large bolts into the bracket.



- 3.** Use (2) small bolts and (2) small washers to secure Motor Platform and Motor Platform Base Bracket to the Motor Platform Arm.



- 4.** Adjusting Support Kit.



Fully Assembled Engine Support Kit

