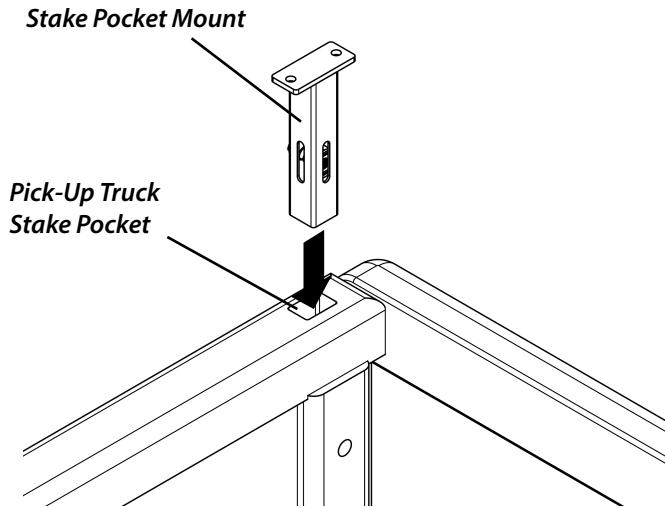
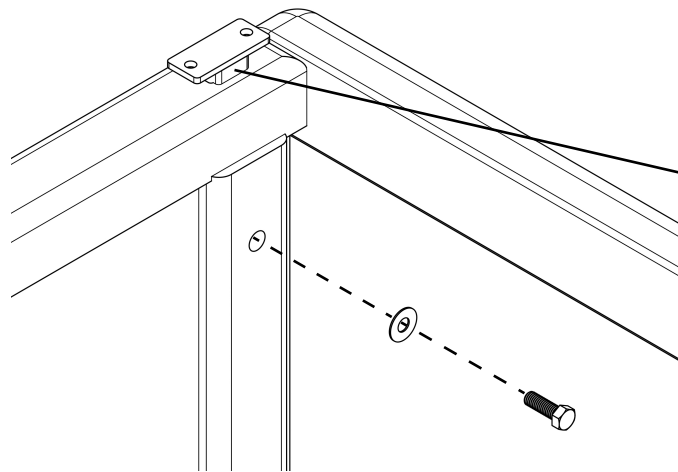


# Stake Pocket Mount Installation Guide (Item# EI086)



Step 1.) Choose the stake pocket that you would like to install your mount into.

Step 2.) Drop the Stake Pocket Mount into the stake pocket  
**\*Note: If installing the Truck Rail System (Item# AA101) the Stake Pocket Mount(s) holes must point to the front and the back of the truck bed. If installing a single rack you may mount in any direction.**

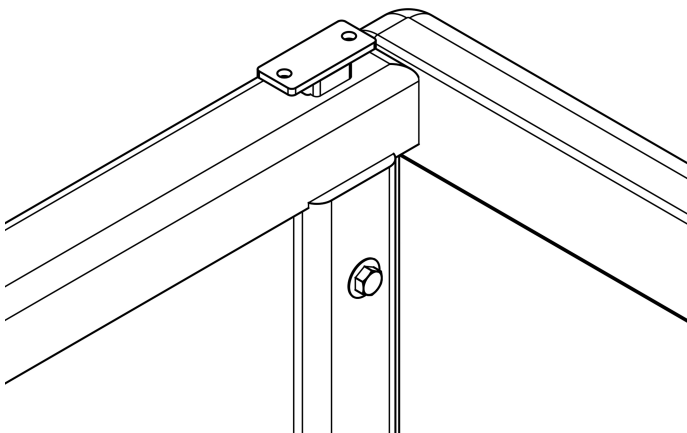


Step 3.) Line the Stake Pocket Mount hole to pre-drilled stake pocket hole on the interior of the pick up truck bed. Once lined up secure with bolt and washer.

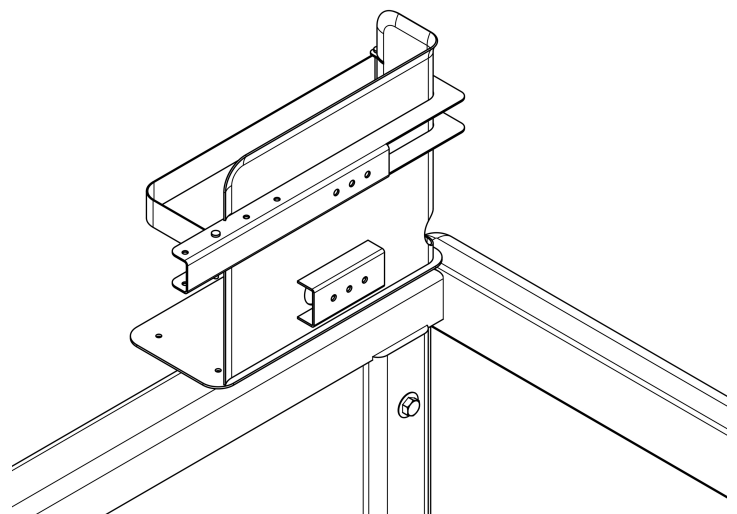
**\*Note: Make sure to leave at least a 1/2 inch gap between the top of the truck bed and the base of the Stake Pocket Mount to allow room for nuts and bolts to be installed.**

**\*Note: If your truck does not have a factory pre drilled hole through the truck bed then a hole will have to be drilled to allow the Stake Pocket Mount to be used.**

**Fully Assembled Stake Pocket Mount**



**Rack Attached to Stake Pocket Mount**



**#STAYORIGINAL**

**TRAILERRACKS.COM**  
BY GREEN TOUCH INDUSTRIES

Need Assistance? Contact Us!

Phone: 561.659.5525

YouTube: TrailerRacksDotCom

Instagram: green\_touch\_industries

Facebook: Green Touch Industries

Web: TrailerRacks.com