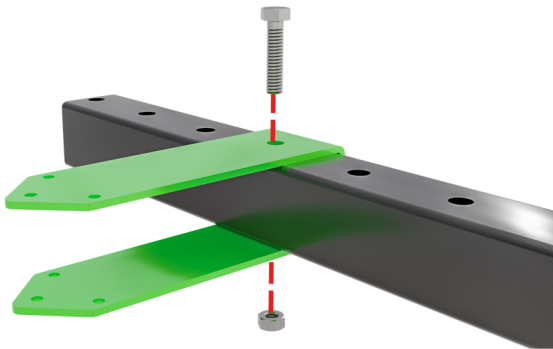


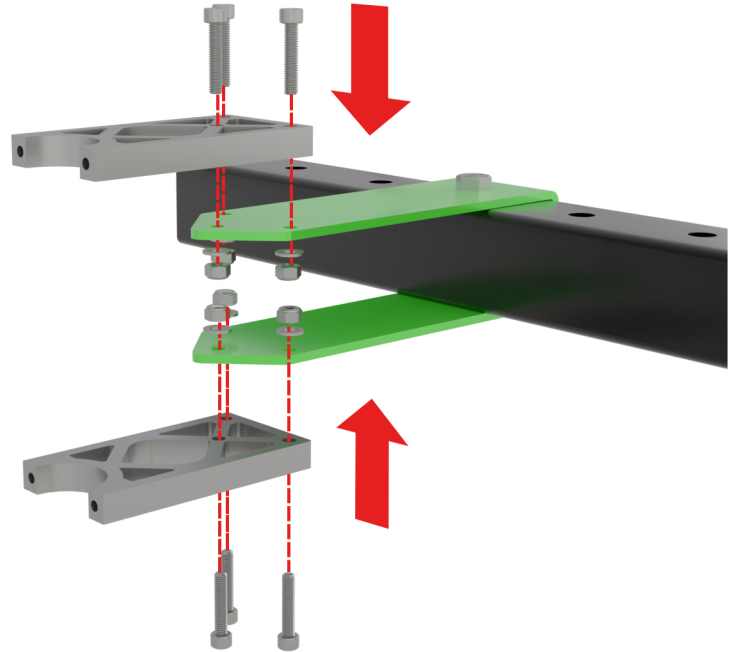
BR101: BED RAIL MOUNTING BRACKET FOR TRUCK RAIL SYSTEM (FIT'S ITEM#: AA101)

INSTALLATION INSTRUCTIONS

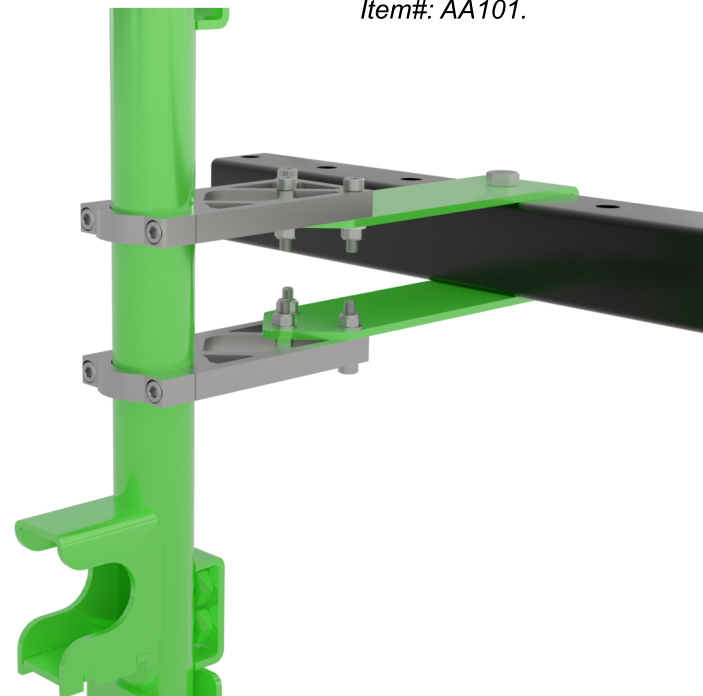
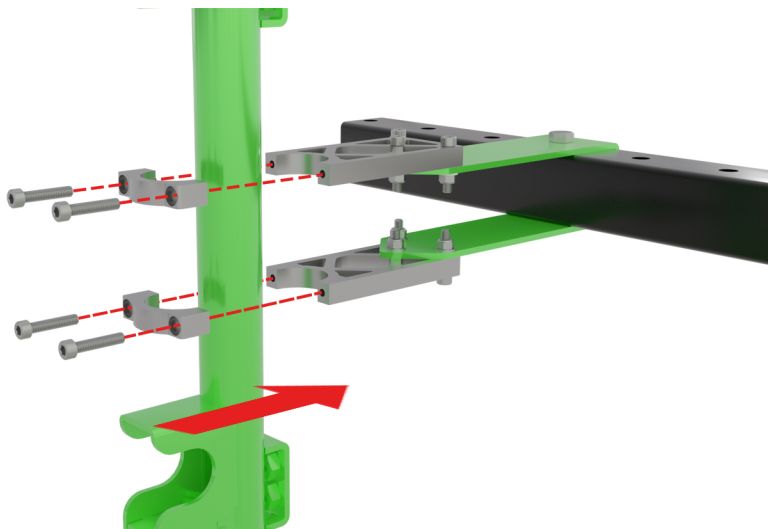
1. Slide the Bed Rail Bracket onto the truck rail system, aligning it with one of the pre-drilled holes. After you have aligned the bracket, secure the bracket in place with the large hex head bolt and nylock nut (provided in the AA101 packaging).



2. Using the (6) Allen head bolts, (6) washers (6) small nylock nuts (provided in the trimmer rack packaging) secure the (2) Enclosed Trailer Brackets (provided in BR101 Packaging) to the Bed Rail Bracket.



Fully Assembled BR101: Bed Rail Mounting Bracket for Item#: AA101.



3. Using (4) of the Allen Bolts, secure the trimmer rack post and (2) Enclosed Trailer Bracket Collars to the portion of the Enclosed Trailer Bracket that has already been assembled to the Bed Rail Bracket.

Note: Repeat these same steps to assemble the second bracket onto the rail system. If your equipment has a curved shaft, or is shorter than standard stick equipment, use this piece of equipment to guide you for the correct mounting distance of the brackets.