

FOR DETAILED MANUAL AND PARTS FINDER. PLEASE GO TO HERE

有关详细的手册和零件查找器。请到这里

PER MANUALE DETTAGLIATO E RICERCA PARTI. PER FAVORE, VAI QUI

FÜR DETAILLIERTE HANDBUCH UND TEILESUCHE. BITTE GEHEN SIE HIER

POUR LE MANUEL DÉTAILLÉ ET LA RECHERCHE DE PIÈCES. VEUILLEZ ALLER ICI

詳細なマニュアルと部品の詳細については。ここに行ってください



SUBARU
IMPREZAWRC 1997



Visit us on www.carisma-shop.com

請到：www.carisma-shop.com

Visitateci su www.carisma-shop.com

Besuchen sie uns auf www.carisma-shop.com

Visitez notre site www.carisma-shop.com

www.carisma-shop.com で私達を訪問します

©2023 Carisma. All Rights Reserved. Product specifications are subject to change.

Some models shown are prototypes which may vary slightly from what is inside.

©2023 凱河模型版权所有。产品规格可能有变动。显示的一些模型是原型，可能与商品内部略有不同。

©2023 Carisma. Tutti i diritti riservati. Le caratteristiche del prodotto sono soggette a modifiche.

Alcuni prodotti mostrati sono prototipi e possono differire leggermente da quanto fornito.

©2023 Carisma. Alle Rechte vorbehalten. Die Eigenschaften der Produkte können Änderungen unterliegen.

Einige dargestellte Produkte sind Prototypen und können leicht von dem Inhalt unterscheiden.

Copyright 2023 Carisma. Tous droits réservés. Les spécifications du produit peuvent changer. Certains

modèles présentés sont des prototypes qui peuvent être légèrement différents du modèle commercialisé.

©2023 年カリスマ。すべての権利予約します。製品の仕様は予告変更。モデルがプロトタイプから中身が若干異なる場合があります。

Printed in China

中国印刷

Stampato in Cina

Gedruckt in China

Imprimé en Chine

中国で印刷されました。

MAN-G00852



SUBARU **IMPREZA**WRC 1997 1/8 4WD CHASSIS

USER MANUAL & SETUP GUIDE

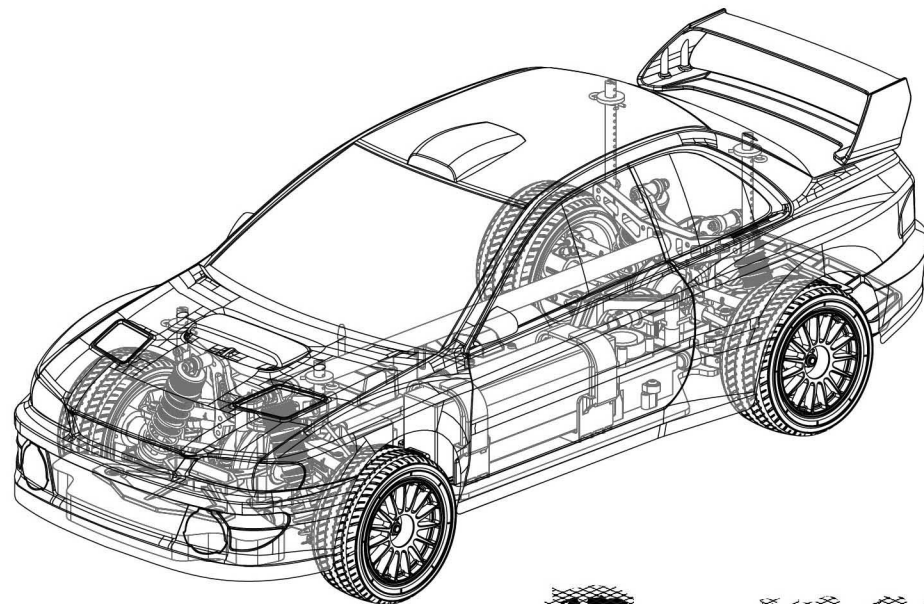
用户手册和设置指南

MANUALE D'USO E DI MONTAGGIO

Bedienungs - und Bauanleitung

Manuel de l'utilisateur et guide de réglages

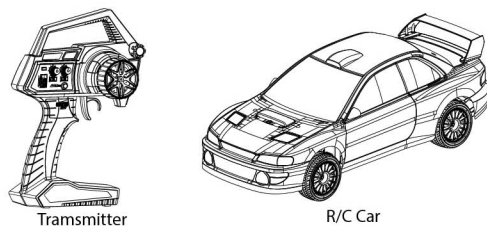
ユーザー マニュアル ・ セットアップ ガイド



"SUBARU", "IMPREZA", AND ALL OTHER ASSOCIATED MARKS, EMBLEMS AND BODY DESIGNS ARE PROPERTIES OF SUBARU CORPORATION AND USED WITH PERMISSION.



WHAT'S IN THE BOX

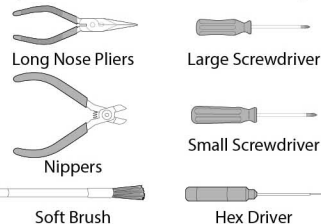


Transmitter

R/C Car

TOOLS RECOMMENDED

(NOT INCLUDED)



SAFETY PRECAUTIONS



SAFETY PRECAUTIONS

THIS MODEL IS ONLY SUITABLE FOR PEOPLE 14 YEARS OLD AND UP. THIS RADIO CONTROL MODEL IS NOT A TOY.

Beginner should seek advice from experienced person in order to assemble the model or parts correctly and to make best performance. Assemble this model or parts only in place out of children's reach, and take safe precautions before operating this model. User is fully responsible for the model assembly and safe operations.

Introduction

This is a sophisticated hobby product and not a toy. It must be operated with caution and common sense. User also requires some basic mechanical abilities. Fail to operate this product in a safe and responsible manner could result in injury or do damage to the product or other properties. This product is not intended for use by children without direct adult supervision. The product manual contains instructions for safe operation and maintenance. It is essential to read and follow all the instructions and warnings in the manual prior to assembly, setup or use, in order to operate correctly and avoid damage or injury.

Safety, Precautions, and Warnings

As the user of this product, you are solely responsible for operating it in a manner that does not endanger yourself and others or result in damage to the product or the property of others.

This model is controlled by a radio signal that is subject to interference from many sources outside your control. This interference can cause momentary loss of control so it is necessary to always keep a safe distance in all directions around your model, as this will help to avoid collisions or injury.

- Always operate your model in an open area away from cars, traffic, or people.
- Avoid operating your model on the street where injury or damage can occur.
- Never operate the model out into the street or populated areas for any reason.
- Never operate your model with low transmitter batteries.
- Carefully follow the directions and warnings for this product and any optional support equipments (chargers, rechargeable battery packs, etc.) that you use.
- Keep all chemicals, small parts and anything electrical out of the reach of children.
- Moisture causes damage to electronics. Avoid water exposure to all equipments not specifically designed and protected for this purpose.

STUDY THE INSTRUCTIONS THOROUGHLY BEFORE ASSEMBLY.

There are many small screws, nuts and similar parts. Please refer to the column on the left to know the exact size. To prevent trouble and finish the model with good performance, it is necessary to assemble each step exactly as shown.

FCC Information: This equipment has been tested and found to comply with the limits for a Class B digital device, pursuant to part 15 of the FCC Rules. These limits are designed to provide residential protection against harmful interference in a residential installation. This equipment generates, uses, and can radiate radio frequency energy and, if not installed and used in accordance with the instructions, may cause harmful interference to radio communications. However, there is no guarantee that interference will not occur in a particular installation. If this equipment does cause harmful interference to radio or television reception, which can be determined by turning the equipment on and off, the user is encouraged to correct the interference by one or more of the following measures: Reorient or relocate the receiving antenna. Increase the separation between the equipment and the receiver. Connect the equipment into an outlet on a circuit different from that to which the receiver is connected.

FCC Warning: The equipment may generate or use radio frequency energy. Changes or modifications to this equipment may cause harmful interference unless the modifications are expressly approved in the instruction manual. Modifications not authorized by the manufacturer may void the user's authority to operate this device. This device complies with part 15 of the FCC Rules. Operation is subject to the following two conditions (1) This device may not cause harmful interference, and (2) this device must accept any interference received, including interference that may cause undesired operation.

Limited Warranty Period: Carisma R/C warrants that the M48S ("Product") will be free from original factory defects in materials and workmanship upon purchase ("Warranty Period"). **What is Not Covered** - This warranty is not transferable and does not cover (a) cosmetic damage, (b) damage due to acts of God, accident, misuse, abuse, negligence, commercial use, or due to improper use, installation, operation or maintenance, (c) modification to any part of the Product, (d) attempted service by anyone other than Carisma R/C authorized service center, or (e) Product not purchased from an authorized Carisma R/C dealer. **OTHER THAN THE EXPRESS WARRANTY ABOVE, CARISMA RC MAKES NO OTHER WARRANTY OR REPRESENTATION, AND THEREFORE DISCLAIMS ANY AND ALL IMPLIED WARRANTIES, INCLUDING, WITHOUT LIMITATION, THE IMPLIED WARRANTIES OF NON-INFRINGEMENT, MERCHANTABILITY AND SUITABILITY FOR A PARTICULAR PURPOSE. THE PURCHASER ACKNOWLEDGES THAT THEY ALONE HAVE DETERMINED THAT THE PRODUCT WILL MEET THE REQUIREMENTS OF THEIR INTENDED USE.**

Purchaser's Remedy - Carisma RC's sole obligation and purchaser's sole and exclusive remedy shall be that Carisma RC will, at its option, either (a) service, or (b) replace, any Product determined by Carisma RC to be defective. Carisma RC reserves the right to inspect any and all Product(s) involved in a warranty claim. Service or replacement decisions are at the sole discretion of Carisma RC. Proof of purchase is required for all warranty claims. **SERVICE OR REPLACEMENT AS PROVIDED UNDER THIS WARRANTY IS THE PURCHASER'S SOLE AND EXCLUSIVE REMEDY.**

Limitation of Liability CARISMA RC SHALL NOT BE LIABLE FOR SPECIAL, INDIRECT, INCIDENTAL OR CONSEQUENTIAL DAMAGES, LOSS OF PROFITS OR PRODUCTION OR COMMERCIAL LOSS IN ANY WAY, REGARDLESS OF WHETHER SUCH CLAIM IS BASED IN CONTRACT, WARRANTY, TORT, NEGLIGENCE, STRICT LIABILITY OR ANY OTHER THEORY OF LIABILITY, EVEN IF CARISMA RC HAS BEEN ADVISED OF THE POSSIBILITY OF SUCH DAMAGES.

Further, in no event shall the liability of Carisma RC exceed the individual price of the Product on which liability is asserted. As Carisma RC has no control over use, setup, final assembly, modification or misuse, no liability shall be assumed nor accepted for any resulting damage or injury. By the act of use, setup or assembly, the user accepts all resulting liability. If you are the purchaser or user are not prepared to accept the liability associated with the use of the Product, purchaser is advised to return the Product immediately in new and unused condition to the place of purchase. This warranty gives you specific legal rights, and you may also have other rights which vary from country to country, or state to state. Carisma RC reserves the right to change or modify this warranty at any time without notice.

Carisma LTD

21/ Floor, Kingsway Industrial Building,
Phase 2, 173 - 175 Wo Yi Hop Road,
Kwai Chung, N.T., Hong Kong.

Note: For official Carisma RC spare parts, see your local hobby shop or place of purchase first. If unavailable, parts can be ordered direct at: <http://www.carisma-shop.com>

ABOUT THE RADIO SYSTEM

CTX-8000 2.4GHZ FHSS TECHNOLOGY SYSTEM

The following is an overview of the various functions and adjustments found on CTX-8000 radio system. It is important to read and understand these functions and adjustments before driving your Crawler.

TRANSMITTER FUNCTIONS:

Steering Wheel: Controls the turning direction of the Crawler (left/right).
Throttle Trigger: Controls the speed and direction of movement (forward/brake/reverse) of the Crawler.

On/Off Switch: Powers the transmitter on and off.

FTN Key: Used to synchronize the connection between the transmitter and receiver. May also serve as an additional function on different models
LED Indicator: Glows green or red to indicate low battery power, synchronizing in progress, setting endpoints, and normal operation.

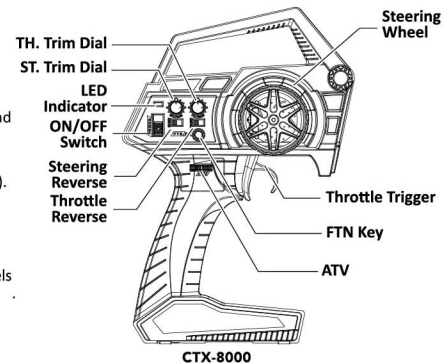
ATV: Adjust the maximum steering throw in both directions when turning the Crawler left of right.

ST. Trim: Adjusts the neutral (centered) position of the steering servo.

TH. Trim: Adjusts throttle neutral position.

Steering Reverse: Reverses the L/R direction when operating the steering wheel.

Throttle Reverse: Reverses the forward/reverse direction when operating throttle.

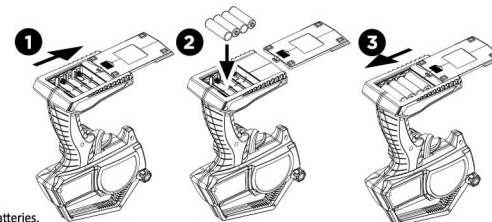


CTX-8000

Usually, drivers will experience understeer when making a wide turn at high speed or oversteer when attempting sharp turns at high speed (easy to spin out). Drivers should practice a smooth application of both steering and throttle for various cornering speeds and road surfaces.

BATTERY INSTALLATION

1. Remove the battery compartment cover as shown.
2. Install the batteries observing the correct polarity as marked on the battery compartment.
3. Reinstall the battery compartment cover as pictured.



Warning:

Never disassemble alkaline batteries or place batteries in fire or near chemical agents, as personal injury or property damage can occur.

Battery Disposal:

Observe local environmental regulations regarding disposal of expired batteries.

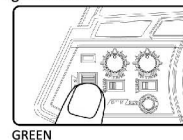
1. After use, dispose old batteries in designated areas far away from any water supply, household areas and plants.
2. Submit the used batteries to specified battery recycling stations. Visit www.call2recycle.org for directions to battery recycling centers near you.

BATTERY LED INDICATOR

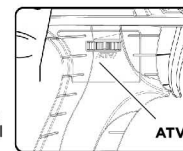
The Green LED indicator located on the front left side of the transmitter provides a visual status of battery condition. The green LED will illuminate solid, indicating that the batteries have sufficient power. When batteries voltage drops below 4 volts, LED will flash red, indicating the batteries are low and should be replaced.

Solid GREEN :
Sufficient Power supply

Flashing RED :
Time to replace batteries



GREEN

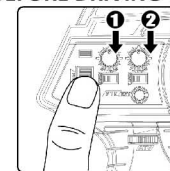


ATV

ATV

ATV (adjustable travel volume) allows the driver to adjust the maximum steering angle in both directions. Experiment to find the ideal setting for your vehicle based on the running surface and personal preference.

BEFORE DRIVING YOUR CAR



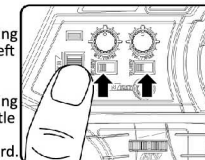
1. Steering: Adjust the steering trim so that the Crawler goes in a straight line without needing to touch the steering wheel.
2. Throttle: Adjust the throttle trim so that the vehicle remains at rest (not moving) when the throttle trigger is in the neutral position.

SERVO REVERSING

Use this feature to change the direction of steering wheel and throttle trigger.

Steering Reverse: Reverses the response direction when operating steering wheel. Right becomes left and vice versa.

Throttle Reverse: Reverses the response direction when operating throttle trigger. Pulling the throttle trigger becomes reverse and pushing the trigger is now forward.



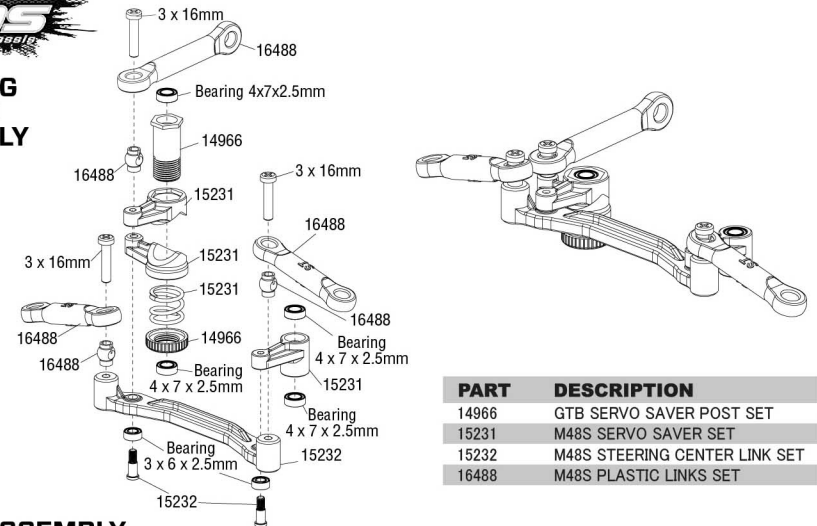
Binding Instructions

- Step 1: Power off Both Car and Radio
- Step 2: Press and HOLD the Sync Button on the Receiver and then Power ON the ESC. (DO NOT TOUCH THE TX) At this point, the LED on the receiver will flash. You can now release the SYNC Button.
- Step 3: Press and HOLD the SYNC Button on the RADIO and then POWER on the RADIO. At this point the radio LED will flash and begin the binding process.

When the LED stop flashing, its connected.

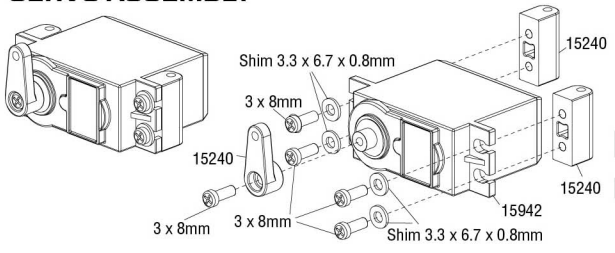
Once it fails to connect, bring the TX and RX closer and try again.

STEERING MODULE ASSEMBLY



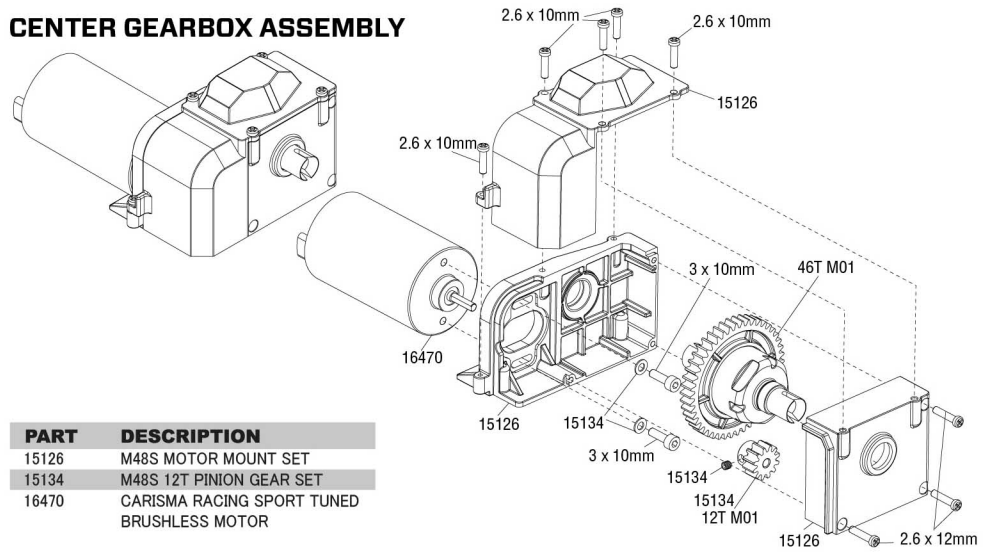
PART	DESCRIPTION
14966	GTB SERVO SAVER POST SET
15231	M48S SERVO SAVER SET
15232	M48S STEERING CENTER LINK SET
16488	M48S PLASTIC LINKS SET

SERVO ASSEMBLY



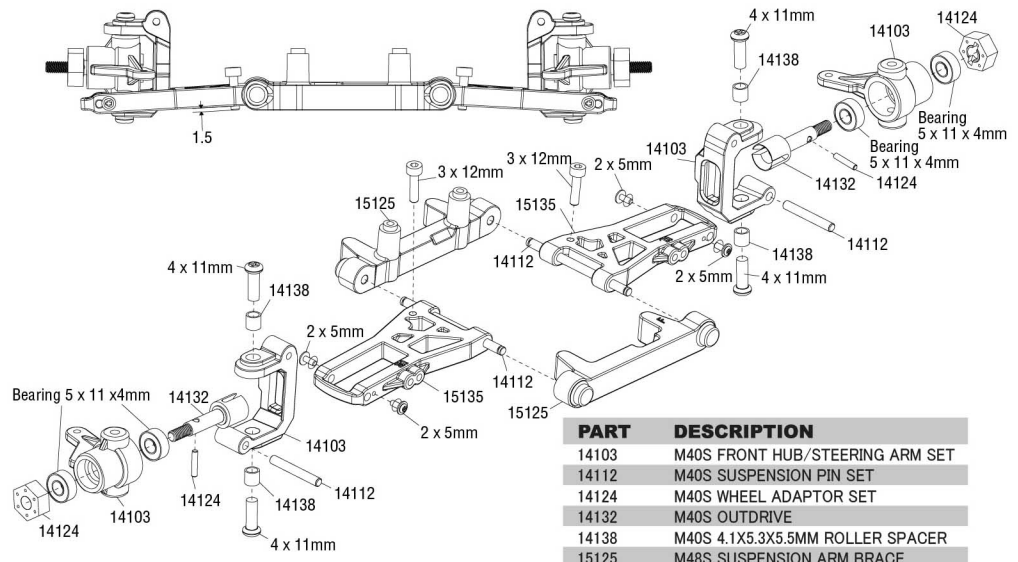
PART	DESCRIPTION
15240	M48S SERVO ARM SET
15942	SCA-1E REPLACEMENT HIGH TORQUE SERVO

CENTER GEARBOX ASSEMBLY

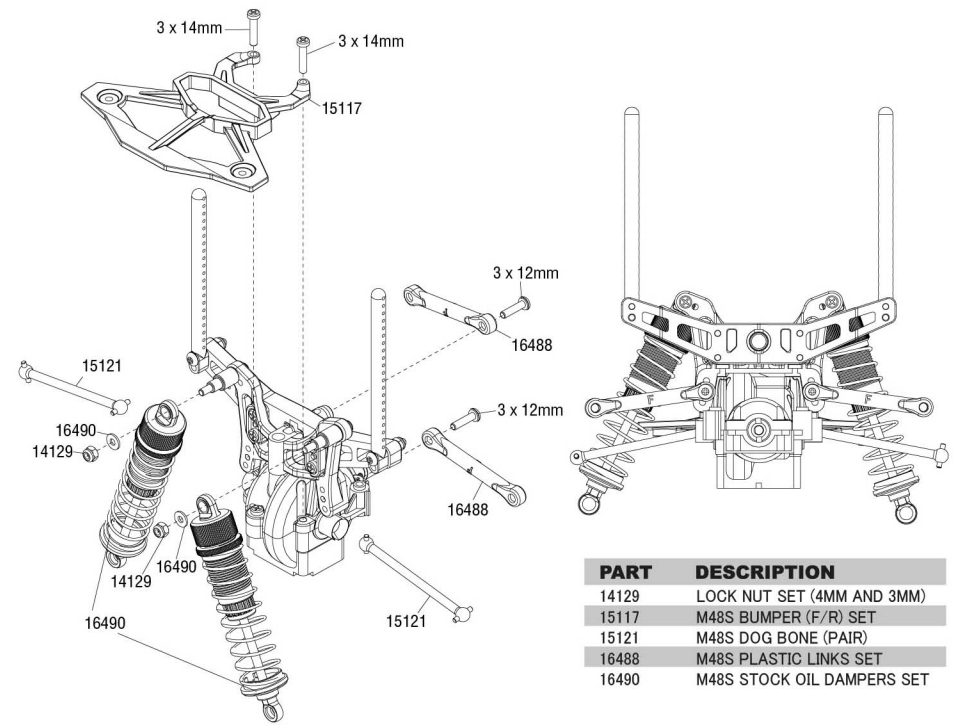


PART	DESCRIPTION
15126	M48S MOTOR MOUNT SET
15134	M48S 12T PINION GEAR SET
16470	CARISMA RACING SPORT TUNED BRUSHLESS MOTOR

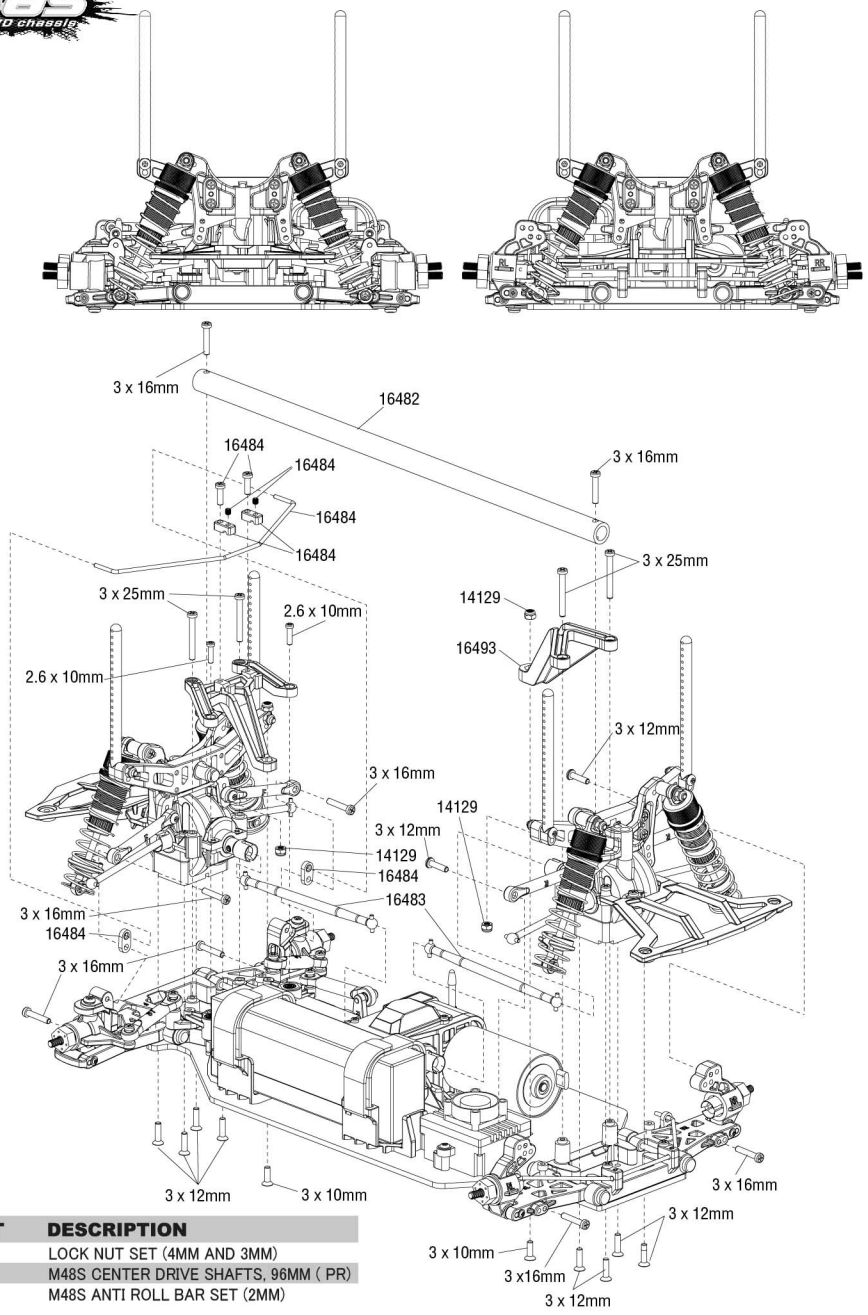
FRONT END ASSEMBLY



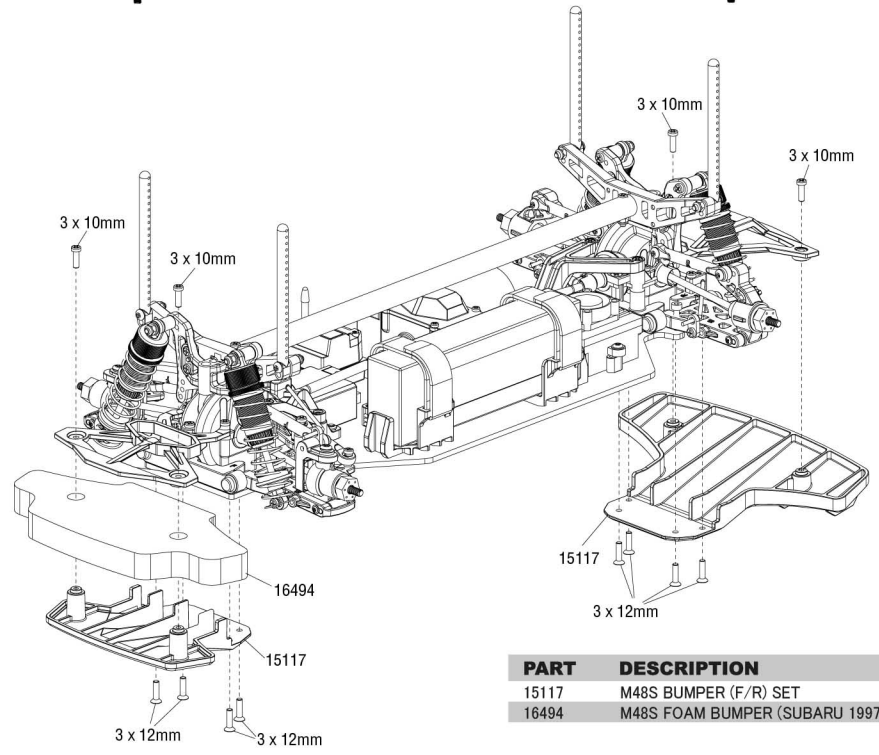
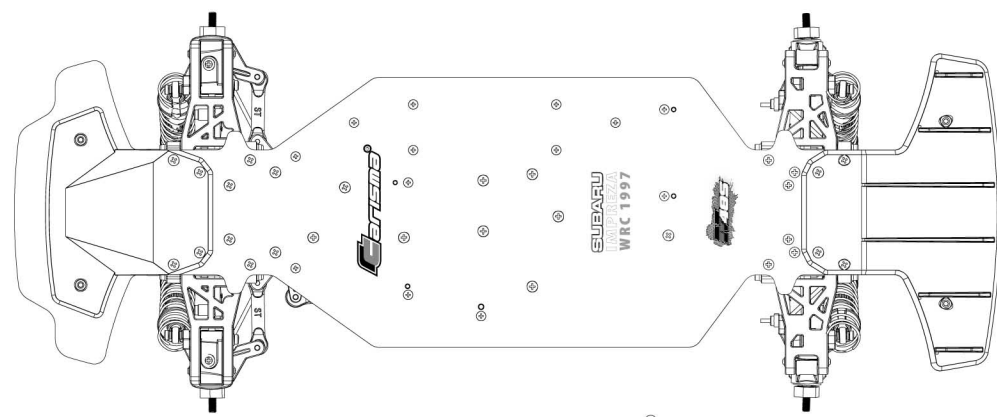
PART	DESCRIPTION
14103	M40S FRONT HUB/STEERING ARM SET
14112	M40S SUSPENSION PIN SET
14124	M40S WHEEL ADAPTOR SET
14132	M40S OUTDRIVE
14138	M40S 4.1X5.3X5.5MM ROLLER SPACER
15125	M48S SUSPENSION ARM BRACE
15135	M48S FRONT SUSPENSION ARM SET



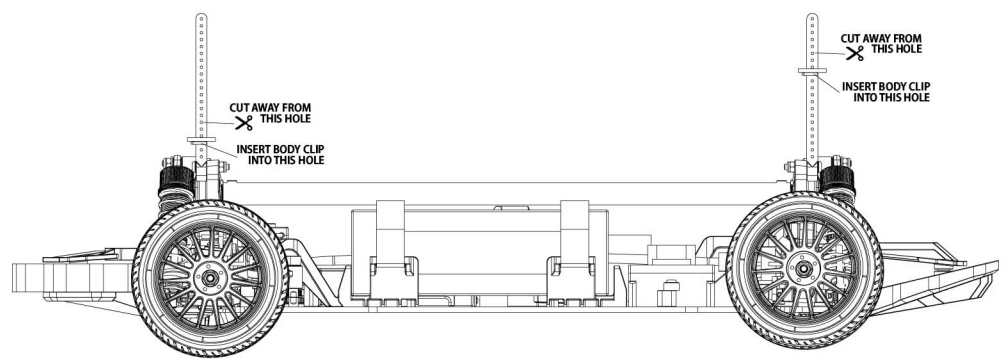
PART	DESCRIPTION
14129	LOCK NUT SET (4MM AND 3MM)
15117	M48S BUMPER (F/R) SET
15121	M48S DOG BONE (PAIR)
16488	M48S PLASTIC LINKS SET
16490	M48S STOCK OIL DAMPERS SET



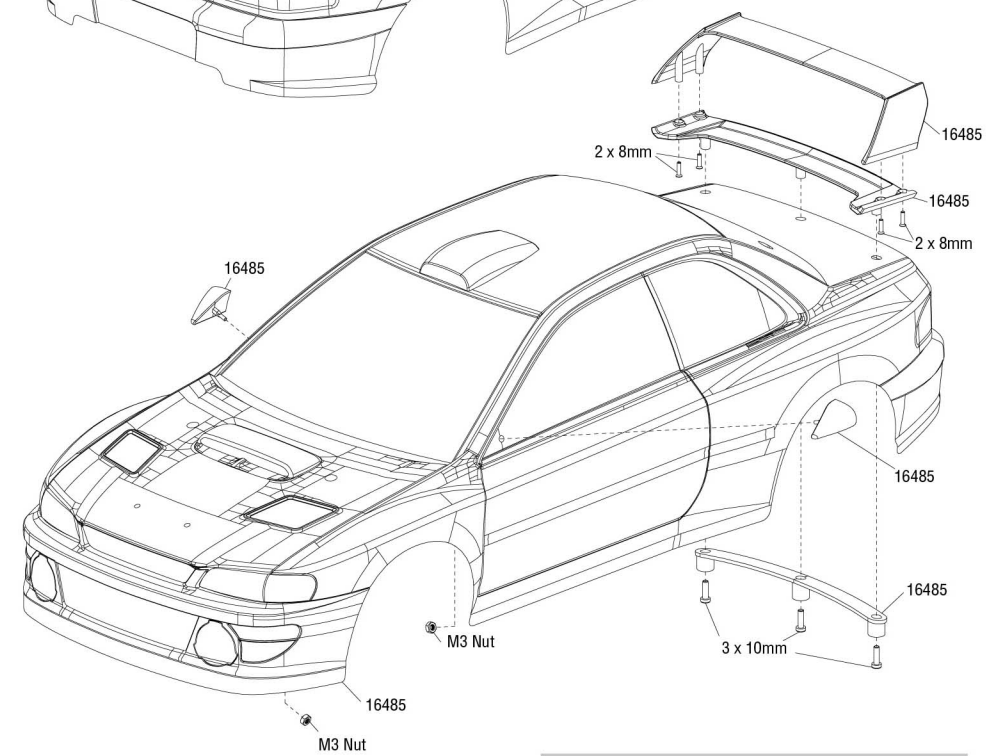
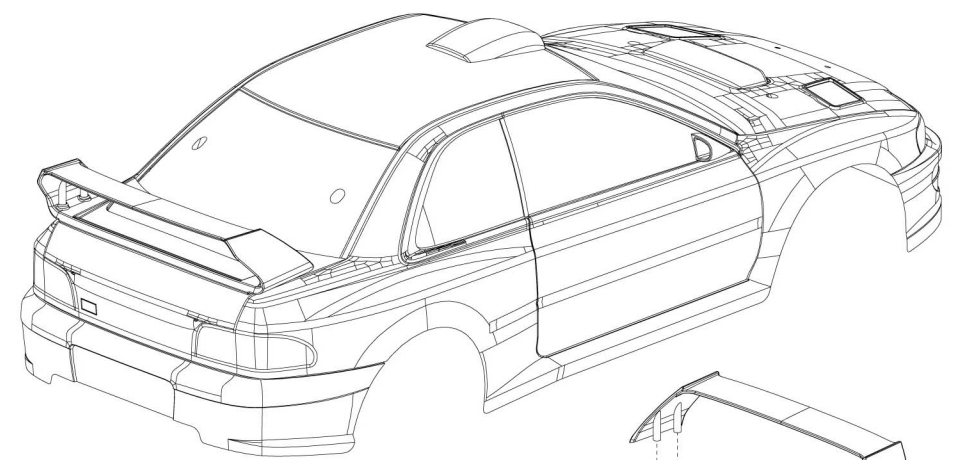
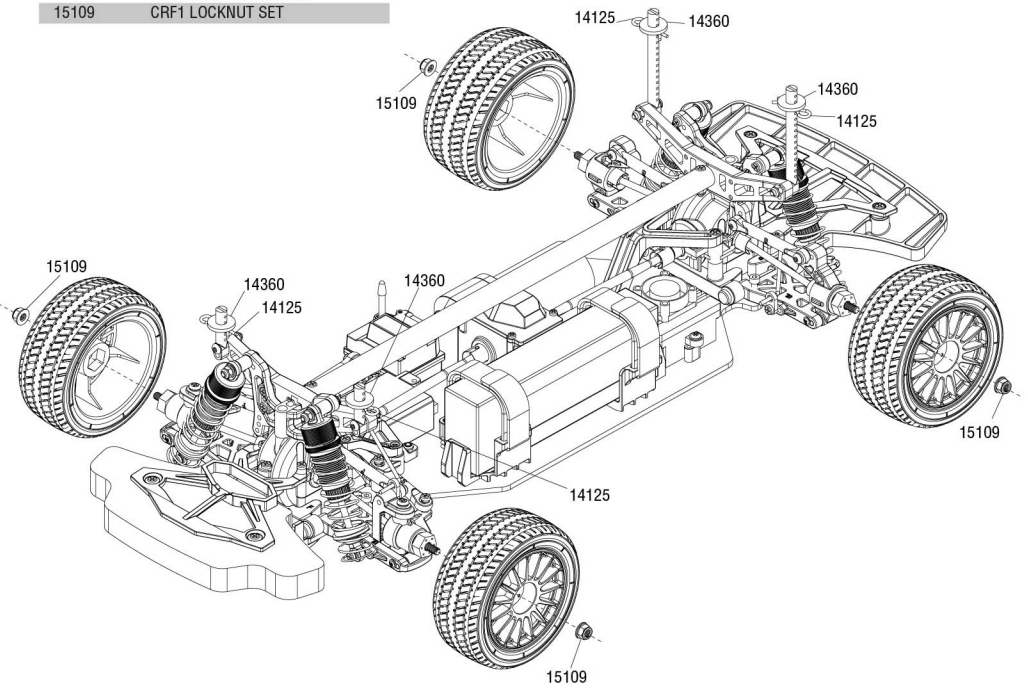
PART	DESCRIPTION
14129	LOCK NUT SET (4MM AND 3MM)
16483	M48S CENTER DRIVE SHAFTS, 96MM (PR)
16484	M48S ANTI ROLL BAR SET (2MM)



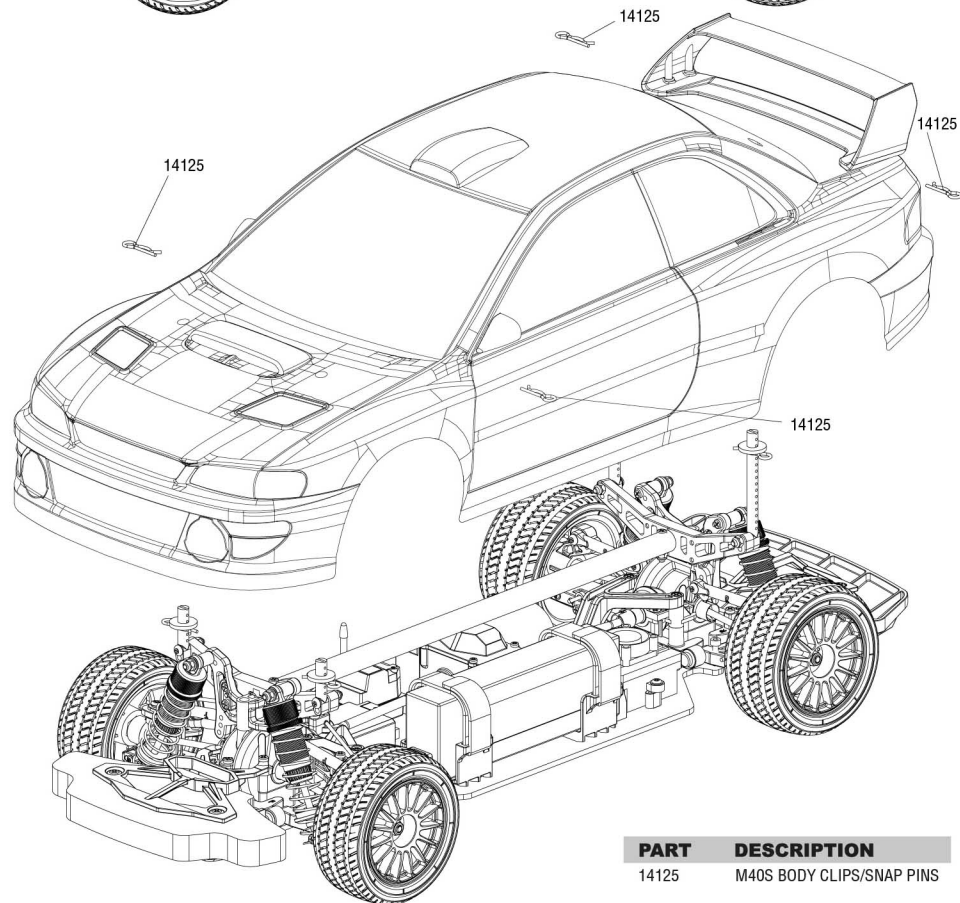
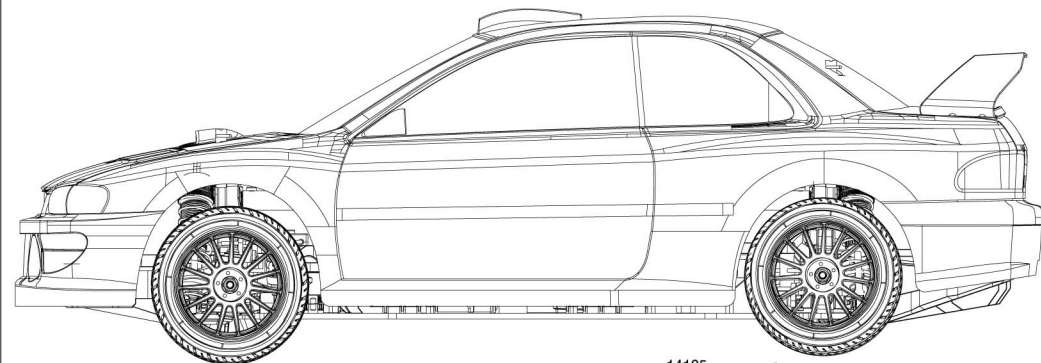
PART	DESCRIPTION
15117	M48S BUMPER (F/R) SET
16494	M48S FOAM BUMPER (SUBARU 1997)



PART	DESCRIPTION
14125	M40S BODY CLIPS/SNAP PINS
14360	GT14 FOAM BUMPER/UNDER CAR BODY FOAM WASHERS
15109	CRF1 LOCKNUT SET



PART	DESCRIPTION
16485	M48S SUBARU WRC 1997 PAINTED BODY SET



PART	DESCRIPTION
14125	M40S BODY CLIPS/SNAP PINS

SPARE PARTS

14103	M40S FRONT HUB/STEERING ARM SET	15215	M48S BEARING SET
14104	M40S REAR HUB SET	15228	M48S WASHER SET
14105	M40S DIFFERENTIAL HOUSING SET	15229	M48S SERVO ARM 25T
14112	M40S SUSPENSION PIN SET	15230	M48S INPUT SHAFT HARDWARE SET
14124	M40S WHEEL ADAPTOR SET	15231	M48S SERVO SAVER SET
14125	M40S BODY CLIPS/SNAP PINS	15232	M48S STEERING CENTER LINK SET
14129	LOCK NUT SET (4MM AND 3MM)	15238	M40DT / M48S DIFF. GEAR SET
14132	M40S OUTDRIVE	15240	M48S SERVO ARM SET
14138	M40S 4.1X5.3X5.5MM ROLLER SPACER	15241	M48S INPUT GEAR SHAFT SET (F/R)
14142	M40S RECEIVER UNIT PLATFORM & SERVO STAND	15942	SCA-1E REPLACEMENT HIGH TORQUE SERVO
14360	GT14 FOAM BUMPER/UNDER CAR BODY FOAM WASHERS	16470	CARISMA RACING SPORT TUNED BRUSHLESS MOTOR
14834	M40S BODY POST SET	16471	V60S BRUSHLESS SPEED CONTROL (2S ONLY)
14966	GTB SERVO SAVER POST SET	16472	M48S CVD SET(PR)
14963	GTB STEERING POSTS SET	16473	M48S GRAVEL SPEC TIRES SET (MOUNTED)
14990	M40DT F/R SHOCK TOWER SET	16474	M48S 3MM CARBON FIBRE CHASSIS PLATE
15020	M40DT / M10DT / M48S GEAR DIFF SEAL	16475	M48S 3MM G10 CHASSIS PLATE (319MM WB)
15109	CRF1 LOCKNUT SET	16476	M48S OPTIONAL ALUM OIL SHOCKS SET
15117	M48S BUMPER (F/R) SET	16477	M48S SUBARU WRC 1997 DECAL SET
15120	M48S STEERING ARM SET	16478	M48S TARMAT SPEC TIRES SET (MOUNTED)
15121	M48S DOG BONE (PAIR)	16479	M48S MULTI SPOKE WHEELS SET (GOLD)
15123	M48S BATTERY MOUNT SET	16480	M48S SUBARU WRC 1997 LIGHT BUCKETS SET (PAINTED)
15125	M48S SUSPENSION ARM BRACE	16481	M48S SUBARU WRC 1997 LED SET
15126	M48S MOTOR MOUNT SET	16482	M48S CHASSIS SUPPORT TUBE (305MM)
15127	M48S ESC / RECEIVER MOUNTING ADAPTOR	16483	M48S CENTER DRIVE SHAFTS, 96MM (PR)
15132	M48S CENTER DIFFERENTIAL SET	16484	M48S ANTI ROLL BAR SET (2MM)
15133	M40DT / M48S BODY POST BRACE SET	16485	M48S SUBARU WRC 1997 PAINTED BODY SET
15134	M48S 12T PINION GEAR SET	16486	M48S SUBARU WRC 1997 CLEAR BODY SET
15135	M48S FRONT SUSPENSION ARM SET	16487	M48S SUBARU WRC 1997 BODY PLASTIC SET
15136	M48S REAR SUSPENSION ARM SET	16488	M48S PLASTIC LINKS SET
15168	M10DT/M48S/M40DT METAL INTERNAL DIFF GEA	16489	M48S SUBARU WRC 1997 LIGHT BUCKETS SET (CLEAR)
15182	M48S PINION GEAR 10T	16490	M48S STOCK OIL DAMPERS SET
15183	M48S PINION GEAR 11T	16491	M48S SPUR 45T
15184	M48S PINION GEAR 13T	16492	M48S SPUR 46T
15185	M48S PINION GEAR 14T	16493	M48S CHASSIS BRACE SET
15205	M48S SPUR 44T	16494	M48S FOAM BUMPER (SUBARU 1997)
15207	M48S FRONT OIL SHOCK ASSEMBLED	16495	M48S BATTERY VELCRO STRAPS
15208	M48S REAR OIL SHOCK ASSEMBLED		
15214	M48S HARDWARE SET		