



America's Favorite Garage Doors

WOOD

GARAGE DOORS

CARE AND MAINTENANCE

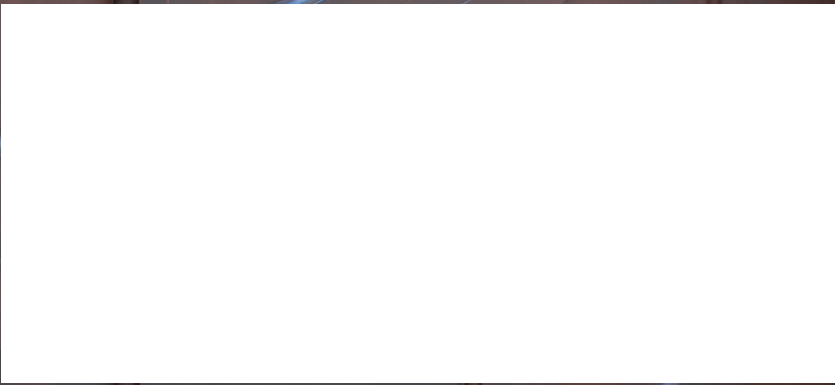
This manual covers the following:

- ANNUAL MAINTENANCE AND LUBRICATING THE DOOR
- SURFACE CARE
- MAINTAINING PAINTED DOOR
- MAINTAINING STAINED DOOR

Model:

Size:

S/N:



For any questions please contact Clopay Consumer Services at 800-225-6729
or visit our chat line at www.clopaydoor.com



To review our installation
instructions visit:
clopaydoor.com/owners-manuals



For how-to videos and additional
service and support information visit:
clopaydoor.com/residential/support

ANNUAL MAINTENANCE

Your door will need regular inspection, lubrication and cleaning. The following information will help keep your door and its parts in good working order and help protect it from the elements.

▲ WARNING! *A sectional garage door is a large, heavy object that moves with the help of springs under high tension. Springs, bottom brackets, cables and supports are under high tension and can cause death or serious injuries if not properly handled. If the door is inoperable or difficult to move, **DO NOT** attempt these maintenance steps and contact your professional installing Clopay Dealer!*

VISUAL INSPECTION AND LUBRICATING THE DOOR

Visually inspect the door every three months for worn or broken parts using the checklist below. If something seems out of balance or adjustment, or you note any of the following, contact your Clopay Dealer for repair or replacement of any parts.

1. Visually inspect door for loose or bent hinges.

▲ WARNING! *Contact your Clopay Dealer for repair or replacement. **DO NOT** loosen or remove bottom bracket with the spring tension engaged. Failure to follow these instructions could allow the door to fall causing death or serious injury.*

2. Visually inspect rollers for broken wheels, bent shafts or worn out bearings.

3. Visually inspect door and track supports for loose or missing bolts, screws, etc.

4. Visually inspect track for creases or bends.

5. Visually inspect door panels for signs of cracking or fatigue.

6. Spring system:

- Visually inspect springs and components for damage. If the spring looks worn or broken it will need replaced.

▲ WARNING! **DO NOT operate the door with a broken spring.**
Doing so can cause death or serious injury. Contact your Clopay Dealer for replacement.

- Visually inspect cables for wear at bottom bracket button and make sure they run properly in the drums.

7. Be sure all handles are properly attached and functioning properly before lifting the door manually.

▲ WARNING! **DO NOT manually operate the door if handles are not installed.**
Doing so can cause finger pinch injury or amputation.

8. For doors with automatic operators:
 - Make sure that the operator has a working safety feature. Photo eyes should be mounted to the left and right sides of the bottom of the door opening.
 - Retest monthly following manufacturer's instructions.
9. After you have visually inspected the door and all of its components it is time to check the door operation:
 - With the door in the down position, detach the opener (if applicable) and lift the door manually to ensure the door is in good operating order.
 - The door should lift and lower easily, but not be too difficult to move or move more quickly than the force applied.
 - Be sure to reattach the opener once you ensure the door is operating properly.
 - ▲ **WARNING!** *If the door is too difficult to move, opens too quickly, or the rollers come out of the track, immediately discontinue use of the door. Failure to do so can cause death or serious injury. Contact your Clopay Dealer for assistance.*
10. Regularly lubricate all moving parts of door with Clopay Garage Door Pro Lube or a synthetic lubricant including:
 - Lift cables at bottom bracket button.
 - Bearings on spring system.
 - Lock hardware where surfaces turn or slide.
 - Full length of torsion spring to reduce friction between coils.
 - Hinges.
 - Lubricate the steel roller shaft where it sits in the hinge. **DO NOT** lubricate nylon rollers.

FINISHING THE DOOR

Wood Doors can be ordered with Factory Paint, Stain, Primed or Unfinished. If your door is not finished, you will need to finish the door sections with either paint or stain prior to installing the door.

▲ **CAUTION!** *Wood products require additional care when storing and finishing. In order to ensure that all door surfaces are properly finished, it is required that the door sections are finished prior to installation. Failure to follow these instructions may result in voiding the warranty of your door.*

- Wood doors can absorb moisture during shipping and storage.
 - DO NOT** leave or store unfinished doors outside or in humid environments.
- **DO NOT** finish under humid conditions
- All door section surfaces, including the sides, back, bottom, face and joints must be finished.

NOTE: *Differences in grain and color variations are indicative of natural wood and are not considered product defects. Some variations in stain penetration may occur between materials from which the door is constructed (i.e. plywood panel vs. wood frame).*

PAINTING THE DOOR

SURFACE PREPARATION

1. Caulking:

- Prior to painting you must first fill any gaps or voids within wood surfaces with a caulking compound that can be painted.
Do not use silicone as it cannot be painted.
- Caulk must be applied to the spaces between the rails or stiles and all 4 sides of the door panel at all panel perimeters (Fig. 1).

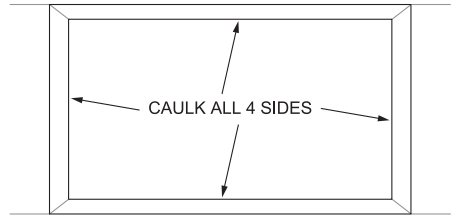


Fig. 1

2. Cleaning:

- Clean all door surfaces with a stiff bristle brush to remove surface dirt, dust and loose fibers.

NOTE: Light sanding may be required to ensure the surface is properly prepped to accept all finishes.

PRIMING THE DOOR

Before finish painting, the door section must be primed on all sides using a high quality oil or latex based exterior primer. Carefully follow the manufacturer's instructions, including recommendations for temperature and drying time.

NOTE: If your door is Factory Primed, it will have a light green finish and you can proceed to "Finish Painting" using a latex based paint.

NOTE: If you are painting a redwood or cedar door, the primer **must contain** a tannin blocker. Using a primer without tannin blocker could result in discoloration of the door after painting.

FINISH PAINTING

Finish paint all door section surfaces using a quality oil or latex based exterior paint based on the type of primer used. For Factory Primed doors, you must use a latex based finish. Carefully follow all manufacturer's application instructions, including recommendations on temperature and drying time. A second top coat is recommended for optimum protection.

STAINING THE DOOR

NOTE: The following door models cannot be stained: Model 10 any model ending in "G" or "P". If your door is one of these models, refer to the painting instructions previous page.

SURFACE PREPARATION

1. Cleaning:

- Clean all door surfaces with a stiff bristle brush to remove surface dirt, dust and loose fibers.

NOTE: Light sanding may be required to ensure the surface is properly prepped to accept all finishes.

STAINING THE DOOR

- Select a quality exterior oil-based penetrating stain (transparent, semi-transparent or solid) that is mildew resistant, UV resistant and water repellent. Do NOT use non-breathable, film-forming finishes such as varnishes or urethanes which do not penetrate the wood.
- Clopay recommends PPG ProLux™ Cetol® Wood Finishes, specifically Cetol® 1 and Cetol® 23 Plus. One coat of Cetol 1® and two coats Cetol® 23 Plus. Allow 24 hours minimum drying time between coats.

▲ CAUTION! Selection of an improper stain or finish may result in voiding the warranty of your door.

- Apply stain to all door section surfaces per stain manufacturer's instructions, including recommendations on temperature and drying time.

CAULKING

After staining the door, fill any gaps or voids within wood surfaces with a clear silicone caulk.

- Caulk must be applied to the spaces between the rails or stiles and all 4 sides of the door panel at all panel perimeters. (Fig. 1)
- Use masking tape to avoid an uneven caulk line that could affect the appearance of the door. Prior to caulking, apply masking tape to both the panel and the stile or rail along the entire joint leaving a gap of 1/8". Then fill the gap along the joint with a bead of caulk, smoothing with a finger. Remove the tape. (Fig. 2)

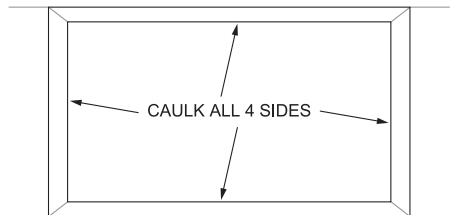


Fig. 1

1/8" GAP FOR CAULK

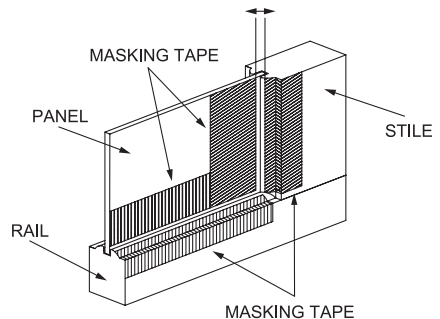


Fig. 2

MAINTAINING YOUR DOOR'S FINISH

Regular maintenance of your wood garage door will help protect it from the environment and ensure longevity. The two major contributing factors to the breakdown of the door's finish are sun and moisture.

▲ CAUTION! *The following instructions are required to maintain the warranty of the door.*

- Annually examine your door for any signs of paint finish cracking or peeling, or for any cracks in the wood door section.
- For painted doors, we recommend that it be repainted every 1-2 years to help protect or seal the door against the elements.
- For stained doors, reapply stain as needed per the stain manufacturer's recommendations. In general, the clearer the stain, the more it will need to be reapplied.

WOOD DOOR FINISHES

CLOPAY STAIN

Your wood door may have been factory finished by Clopay using PPG ProLuxe™ Cetol® Wood Finish.

If so, your stain color is:



Natural
078



Natural
Oak 005



Cedar
077



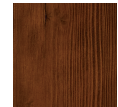
Teak
085



Butternut
072



Mahogany
045



Dark Oak
009

CLOPAY PAINT

Your wood door may have been factory finished by Clopay using Sherwin-Williams® Paint, custom stained or painted by a professional other than Clopay.

If so, your paint color is:



White
(paint)

Sherwin-Williams® Paint –
Please list paint name above.

Custom Color (paint or stain) –
Please list custom paint or stain above.

AUTOMATIC GARAGE DOOR OPENERS

If you are installing an automatic garage door opener, installation of a reinforced mounting point is required. To avoid damage to your door, you must reinforce the top section of the door in order to provide a mounting point for the garage door opener to be attached. **DO NOT** use the bracket that came with your opener or attach it directly to the door. Failure to reinforce the door as required may result in loss of warranty coverage.

For more information on how to attach an automatic opener, visit:
http://clopaypdfs.com/pdf_files/INST-0137392_EN.pdf



LIMITED WARRANTY WOOD GARAGE DOORS

Subject to the terms of this Limited Warranty ("Warranty") and any warranty policies and procedures in effect at the time a notice of a claim is received, Clopay Building Products ("Clopay", "we", or "our") will repair or replace (at our sole discretion) any garage door sections/section components, hardware, or springs/spring components (collectively, "Replacement Parts") that we determine to be defective in material or workmanship so long as timely written notice is provided within the applicable limited warranty periods provided below. This Warranty shall apply and benefit only the original purchase of a Clopay garage door product and is non-transferable, and does not apply to decorative hardware or to any commercial, industrial or other non-residential application/installation.

The warranty period begins from the date of delivery or installation, up to a maximum of one (1) year from the date of purchase. Proof of purchase is required. Once we have verified any defect(s) with your product through persons authorized by Clopay, we will provide – at no cost to you – Replacement Parts to the extent necessary to repair or replace any such defective sections, hardware, or springs/spring components. We reserve the right to inspect and/or verify any claimed defect, as well as the right to replace product(s) with a similar or like product, all within the sole discretion of Clopay. All labor costs associated with any warranty claim (including removal, reinstallation, installation, and/or finishing) will be your responsibility.

The applicable Warranty periods are as follows:

MODEL NUMBER	FACTORY PAINT	FACTORY STAIN	SECTIONS/ DELAMINATION	HARDWARE/SPRINGS
10, 20, 33, 44 RC, RH, RR, CC, CH, CR	1 Year	2 Years	1 Year	1 Year
CR800, CRD, MRD			5 Years	5 Years

Terms and limitations of the limited warranty are further detailed below:

ADDITIONAL INFORMATION REGARDING YOUR WARRANTY

Clopay warrants the sections of the Models listed above against the paint finish cracking, checking or peeling (i.e. losing adhesion). We warrant our rust prevention system against rust through perforation(s) caused by corrosion originating at the steel layer. Failure to properly clean and maintain your door (particularly in, but not limited to, high-salt or acidic environments) or damage to the door such as scratching, may result in surface rust, a coating that forms on the surface when exposed to moisture, which – if left untreated – may result in loss of warranty coverage. Surface rust is not covered under this warranty. For more information about our rust prevention system and how to care for your door visit: info.garagedoors.com/maintenance.

Insulated windows are warranted for ten (10) years for material obstruction of vision resulting from film formation or dust or moisture collection between the interior surface of the insulating glass. No warranty is available for single pane glass. No warranty is available for decorative hardware.

EXCLUSIONS TO COVERAGE

This warranty shall not extend to damages or defects caused by any of the following:

Paint or Stain Not Applied per Manufacturer Specifications after Delivery of Door	Failure to Follow All Installation Instructions	Failure to Follow Maintenance Instructions	Faulty or Defective Installation(s)
Fire	Radiation (UV or Other)	Foreign Substances	Accident or Casualty
Harmful Fumes	Vandalism	Act(s) of God	Physical Damage
Salt Spray or Exposure	Normal Wear and Tear	Chemical Action	Abrasive Materials
Operation Beyond Rated Capacity	Improper Use or Abuse	Improper Installation or Handling	Exposure to Coastal Weather Conditions
Alteration, Modification or Use of Non-OEM/Clopay-Approved Parts or Products	Other Painted Parts Not Part of a Door Section (such as stop mold)	Normal Fading or Discoloration from Usage, Age or UV Exposure	Thermal bow as described in DASMA Technical Data Sheet 185 www.dasma.com

If you make any repair or alteration without first providing notice to and receiving authorization from us, or use any parts, accessories, or attachments other than authorized by Clopay for use in its products, you will be solely responsible for any such repairs or parts and you may void this Warranty. Routine maintenance and related items, as well as minor adjustments or damage caused by your installer either during delivery or installation, are excluded from this Warranty. For purposes of this Warranty, minor scratches will not be considered a defect.

If you would like to submit a Warranty claim, notify Clopay Customer Service promptly after discovery of the defect by sending an email to BPCwarranty@clopay.com or calling 800-225-6729. Please be prepared to send us a proof of purchase and complete description with photographs of any issues. YOU MUST REPORT ANY MANUFACTURING DEFECTS THAT ARE IMMEDIATELY OBVIOUS OR VISIBLE AT THE TIME OF INSTALLATION (SUCH AS INCORRECT OR INCONSISTENT PAINT COLOR, MANUFACTURING DEFECTS (E.G. SURFACE CONTAMINANT(S) OR SMUDGES), VISIBLE PHYSICAL DAMAGE, OR MAJOR SCRATCHES) WITHIN FORTY FIVE (45) DAYS FROM DELIVERY OR YOUR CLAIM MAY BE BARRED. Additional copies of our installation and maintenance instructions may be obtained by calling 800-225-6729.

UNDER NO CIRCUMSTANCES SHALL WE BE LIABLE FOR ANY CONSEQUENTIAL OR SPECIAL DAMAGES WHICH ANY PERSON OR ENTITY MAY INCUR OR CLAIM TO INCUR AS A RESULT OF ANY DEFECT IN THE PRODUCT OR IN ANY CORRECTION OR ALTERATION THEREOF MADE OR FURNISHED BY US OR OTHERS. OUR MAXIMUM LIABILITY UNDER THIS WARRANTY SHALL BE THE PURCHASE PRICE PAID TO US WITH RESPECT TO THE GARAGE DOOR TO WHICH SUCH WARRANTY IS CLAIMED. THE LIMITATION OF LIABILITY PROVISIONS HEREIN SHALL APPLY TO ANY AND ALL CLAIMS OR SUITS BROUGHT AGAINST US, INCLUDING ANY CLAIM BASED UPON NEGLIGENCE, BREACH OF CONTRACT, BREACH OF WARRANTY, STRICT LIABILITY OR ANY OTHER THEORIES UPON WHICH LIABILITY MAY BE ASSERTED AGAINST US.

This warranty constitutes our entire and exclusive warranty as to the Replacement Parts and is the sole and exclusive remedy for product defects in material and workmanship. We do not assume (and have not authorized any other person to assume on its behalf) any other warranty or liability in connection with any product covered by this warranty. WE MAKE NO OTHER WARRANTIES, REPRESENTATIONS OR COVENANTS, EXPRESS OR IMPLIED, WITH RESPECT TO THIS PRODUCT, INCLUDING BUT NOT LIMITED TO WARRANTIES, REPRESENTATIONS OR COVENANTS AS TO WORKMANSHIP, DESIGN, CAPACITY, QUALITY, CONDITION, MERCHANTABILITY OR FITNESS FOR ANY PURPOSE OF THE PRODUCT, EXCEPT FOR ANY "IMPLIED WARRANTY" AS THAT TERM IS DEFINED IN THE MAGNUSON-MOSS WARRANTY-FEDERAL TRADE COMMISSION IMPROVEMENT ACT, SUCH IMPLIED WARRANTIES TO BE LIMITED IN DURATION TO A PERIOD OF ONE YEAR FROM THE DATE OF PURCHASE.

This warranty gives you specific legal rights, and you may also have other rights that vary from state to state.



©2018 Clopay Building Products Company, Inc., a Griffon company.

DOOR INSTALLED ON DATE:

INSTALLED BY:

CONTACT YOUR CLOPAY DEALER FOR YOUR ANNUAL MAINTENANCE CHECK ON:

DOOR INSPECTION AND MAINTENANCE CHECKLIST:

	Years									
	1	2	3	4	5	6	7	8	9	10
Visual inspection of door components.										
Visual inspection of door finish.										
Examined finish for cracking or peeling.										
Examined door for cracks in wood.										
If door is painted, repaint door every 1–2 years.										
If door is stained, reapply as needed. Check annually.										
Lubricated all moving parts of the door.										



**To register your door visit:
[clopaydoor.com/warranty-registration](https://www.clopaydoor.com/warranty-registration)**

Let us know what you think!



**Review your garage door here:
<https://www.clopaydoor.com/leave-a-review>**

www.clopaydoor.com ■ 1-800-2CLOPAY (225-6729)

