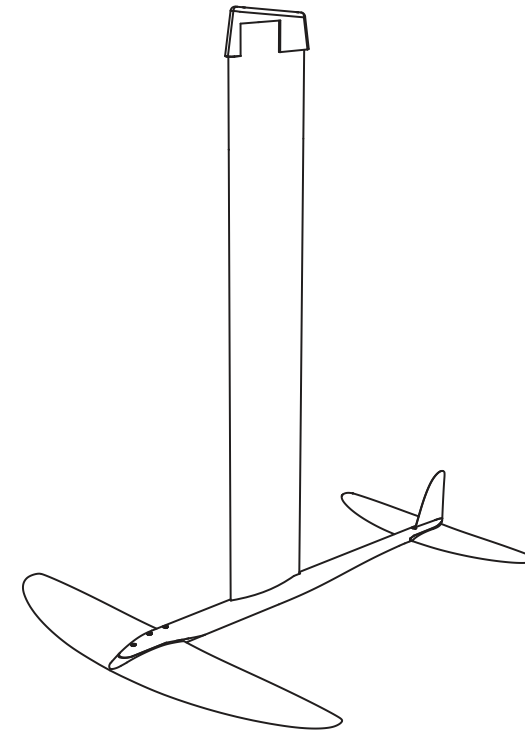


RS:ONE CONVERTIBLE **ASSEMBLY MANUAL**



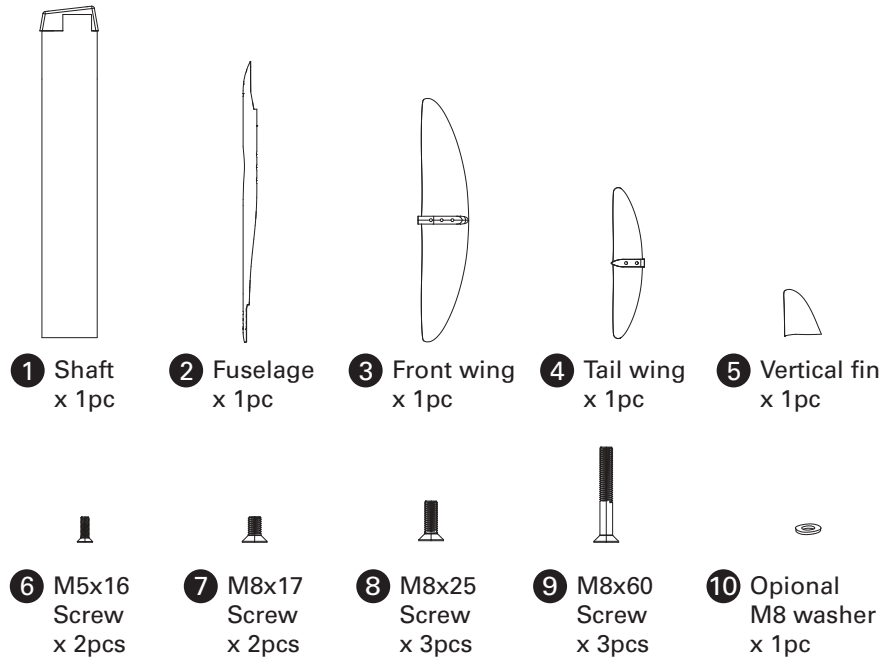
www.neilpryde.com

NEILPRYDE

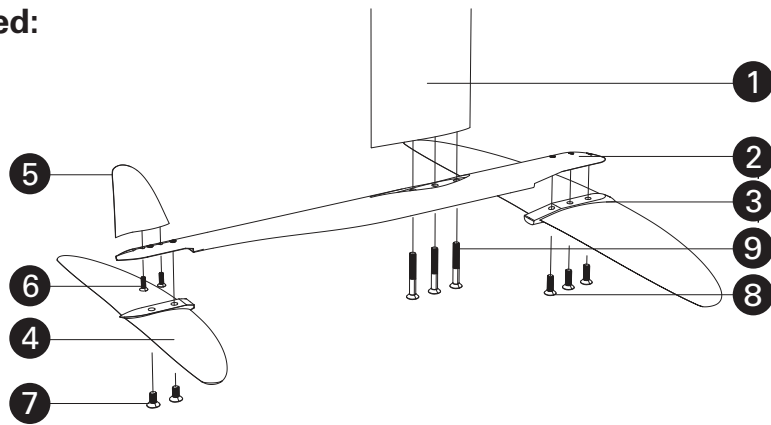
Tools:



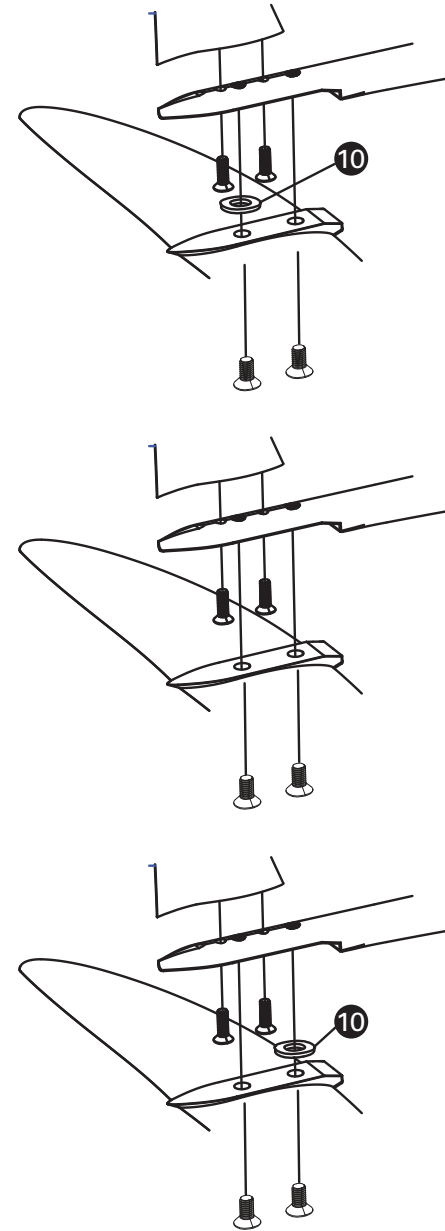
Parts:



Exploded:



Tail Wing Adjustment:



Up Tilted:
Lower lift and less drag
at higher speeds.

Neutral

Down Tilted:
More lift and stability
at lower speed.