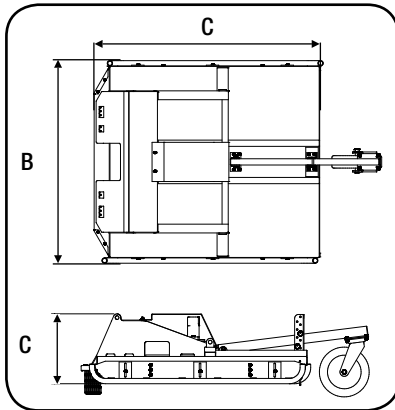




The 3pt Linkage Slasher is a slashing attachment for tractors which can be used for the effective cutting and clearing of grass and low ground shrubbery.

Features:

- Twin blade, dual rotation, single cutting bar
- Two widths available: 1500mm (59') and 1800mm (70')
- Chain curtain for debris suppression
- Adjustable height 40mm - 140mm
- Optional jockey wheel available
- Heavy duty construction - built for Australian conditions
- Also available for: mini loaders, skid steer loaders, excavators
- Rounded side skids for smoother manoeuvrability over uneven terrain



Accessories:

Comes complete with hoses, couplers and 3pt linkage.

Ideal Use:

Landscaping, agriculture, roadway maintenance, general slashing, park maintenance.

Machine Suitability:

Available to all CAT 1 and CAT 2 tractors.

| Specifications | 1500mm | 1800mm |
|-----------------|---------------------------------|---------------------------------|
| Weight | 370 Kg | 490 Kg |
| Length | 1860 mm | 2115 mm |
| Width (Overall) | 1630 mm | 1930 mm |
| Height | 605 - 705 mm | 665 - 765 mm |
| Motor Size | 4.9 Cubic Inch EATON Bell Motor | 4.9 Cubic Inch EATON Bell Motor |
| Rec. Flow | 45 - 100 lpm | 40 - 100 lpm |
| Max Pressure | 240 bar | 240 bar |



Contact your local professional dealer or contact Digga direct

THE BEST DOWNUNDER

DIGGA

QLD, NT

4 Octal Street
Yatala QLD 4207
Ph: (07) 3807 3330

DIGGA NSW, ACT

Unit 2, 36 Bluett Drive
Smeaton Grange NSW 2567
Ph: (02) 4647 1400

DIGGA VIC, SA, TAS

27 Metcalf Street
South Dandenong VIC 3175
Ph: (03) 9706 6171

DIGGA WA

6/15 Yampi Way
Willeton WA 6155
Ph: (08) 9457 1544

Email: info@digga.com Web: www.digga.com

