



BALE SPEARS

Fitted to our Australian made pallet forks frame the Digga Bale Spears are designed for picking up square and round bales with minimum effort.

Features:

- Australian made quality.
- Most machine frames available.
- Heavy duty bale tynes.
- Fits up to 3 Bale Spear tynes onto the one frame.
- Standard pallet fork high visibility frame.
- Removable Bale Spear tynes.
- Tynes are 1059mm long.
- Ability to add Pallet Fork tynes.

Ideal Use:

Perfect for lifting square and round bales.

Machine Suitability:

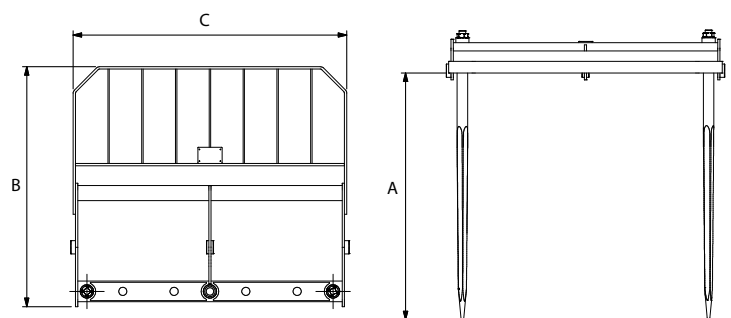
Skid Steer Loaders, Front End Loaders and Tractors



Quickly turn the Bale Spear into Pallet Forks



Telehandler
Bale Spears
also available



Specifications	
Length (A)	1059mm
Height (B)	1030mm
Width (C)	1174mm
Weight	126kgs

Contact your local professional dealer or contact Digga direct

THE BEST DOWNUNDER

DIGGA

QLD, NT

4 Octal Street
Yatala QLD 4207
Ph: (07) 3807 3330

DIGGA NSW, ACT

Unit 2, 36 Bluett Drive
Smeaton Grange NSW 2567
Ph: (02) 4647 1400

DIGGA VIC, SA, TAS

27 Metcalf Street
South Dandenong VIC 3175
Ph: (03) 9706 6171

DIGGA WA

6/15 Yampi Way
Willeton WA 6155
Ph: (08) 9457 1544

Email: info@digga.com Web: www.digga.com

