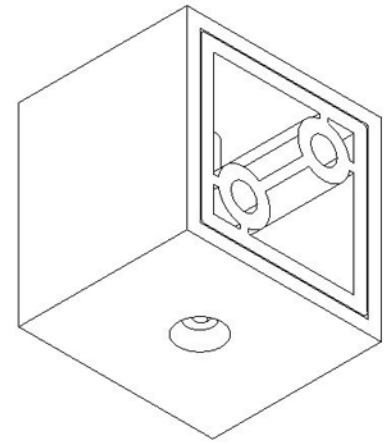
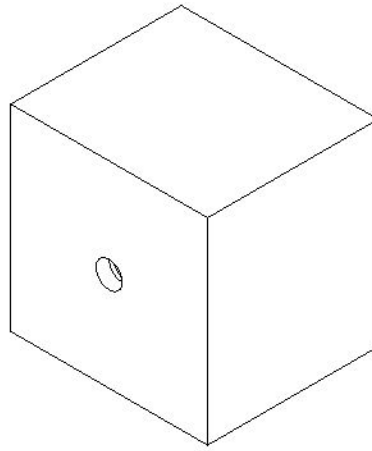




Innocleat  
SQUARE



## SPECIFICATIONS

### Dimensions and Weight

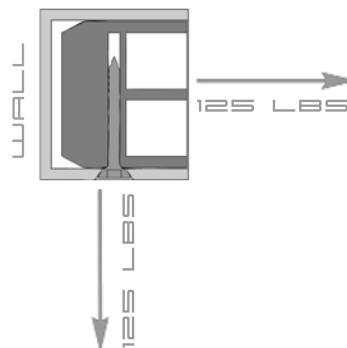
Total assembly	221 g	1.772" x 1.772" x 1.535"	45.0mm x 45.0mm x 39.0mm
Outer Bracket	190 g	1.772" x 1.772" x 1.535"	45.0mm x 45.0mm x 39.0mm
Wall Anchor	27 g	1.515" x 1.516" x 1.299"	38.5mm x 38.5mm x 33.0mm
Marking Plate	4 g	1.515" x 1.516" x 0.315"	38.5mm x 38.5mm x 8.0mm
Set Screw		#8 x 1.25"	#8 x 32mm

### Material

Outer Bracket	Stainless Steel AISI 304 - Brushed Satin Finish
Wall Anchor	Amilan® CM 1017 Nylon 6
Marking Plate	Amilan® CM 1017 Nylon 6
Set Screw	Stainless Steel - Blue Zinc Finish

### Load Specifications

Luxus Innocleat Square holds 125 lbs\*



\*Bracket must be screwed into a stud for tested strength. Product tested on ½" gypsum board.  
Set screw tested to hold 125 lbs vertical and horizontal pull.