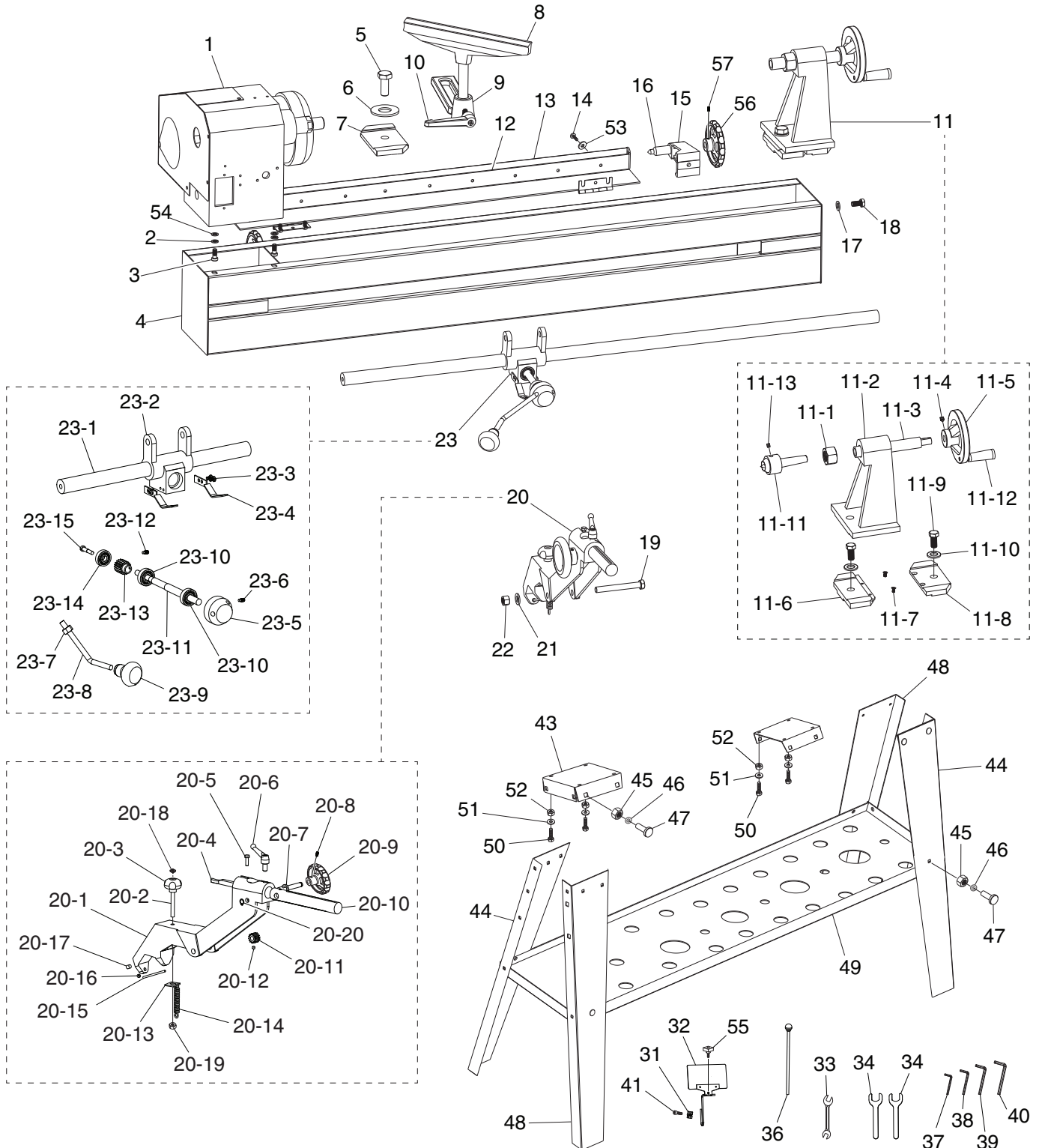


SECTION 9: PARTS

We do our best to stock replacement parts when possible, but we cannot guarantee that all parts shown are available for purchase. Call (800) 523-4777 or visit www.grizzly.com/parts to check for availability.

Main



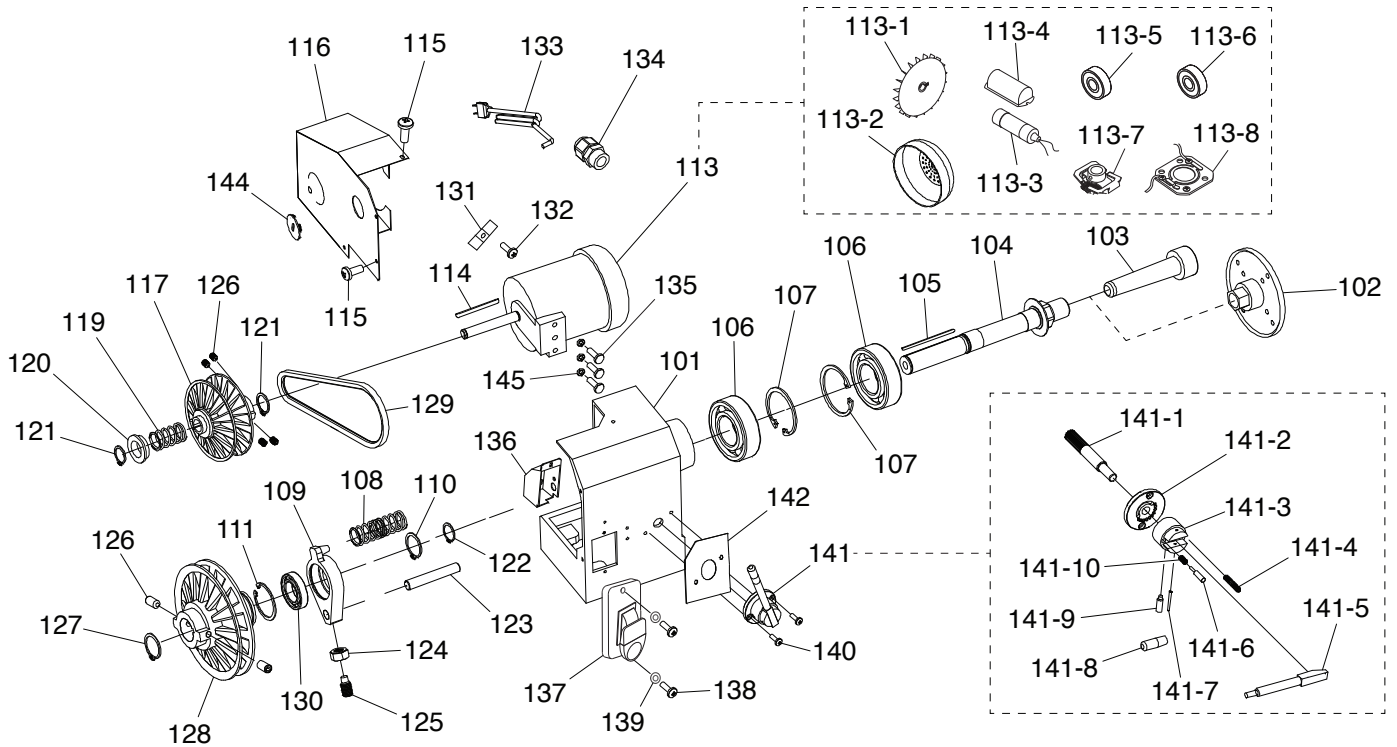
Main Parts List

REF	PART #	DESCRIPTION
1	P0842001	HEADSTOCK ASSEMBLY
2	P0842002	LOCK WASHER 8MM
3	P0842003	CAP SCREW M8-1.25 X 20
4	P0842004	BED
5	P0842005	HEX BOLT M16-2 X 40
6	P0842006	FENDER WASHER 16MM
7	P0842007	TOOL REST CLAMP PLATE
8	P0842008	TOOL REST 12" (20MM POST)
9	P0842009	TOOL REST BASE (20MM HOLE)
10	P0842010	ADJUSTABLE HANDLE 65L, M10-1.5 X 18
11	P0842011	TAILSTOCK ASSEMBLY
11-1	P0842011-1	HEX NUT 1-8
11-2	P0842011-2	TAILSTOCK CASTING
11-3	P0842011-3	TAILSTOCK QUILL
11-4	P0842011-4	SET SCREW M8-1.25 X 10 CONE-PT
11-5	P0842011-5	HANDWHEEL TYPE-19 122D X 15B-S X M8-1.25
11-6	P0842011-6	TAILSTOCK CLAMP PLATE A
11-7	P0842011-7	FLAT HD SCR M5-.8 X 10
11-8	P0842011-8	TAILSTOCK CLAMP PLATE B
11-9	P0842011-9	HEX BOLT M16-2 X 40
11-10	P0842011-10	FLAT WASHER 16MM
11-11	P0842011-11	LIVE CENTER MT2
11-12	P0842011-12	REVOLVING HANDLE 20 X 55 M8-1.25 X 13
11-13	P0842011-13	SET SCREW M6-1 X 10
12	P0842012	HINGED TEMPLATE SUPPORT BRACKET
13	P0842013	TEMPLATE SUPPORT PLATE
14	P0842014	PHLP HD SCR M6-1 X 10
15	P0842015	COPY ATTACHMENT DEAD CENTER BRACKET
16	P0842016	COPY ATTACHMENT DEAD CENTER
17	P0842017	FENDER WASHER 10MM
18	P0842018	HEX BOLT M10-1.5 X 20
19	P0842019	SHOULDER BOLT M12-1.75 X 20, 12 X 90
20	P0842020	COPY ATTACHMENT ASSEMBLY
20-1	P0842020-1	COPY ATTACHMENT CASTING
20-2	P0842020-2	HEX BOLT M8-1.25 X 75
20-3	P0842020-3	KNOB 9-LOBE D54 WITH REMOVABLE CAP
20-4	P0842020-4	CUTTING TOOL
20-5	P0842020-5	CAP SCREW M6-1 X 25
20-6	P0842020-6	ADJUST. HANDLE 65L, M10-1.5 X 20 DOG-PT
20-7	P0842020-7	GEAR SHAFT
20-8	P0842020-8	SET SCREW M6-1 X 10
20-9	P0842020-9	HANDWHEEL 100D X 12B-S X M6-1
20-10	P0842020-10	CUTTING TOOL SHAFT
20-11	P0842020-11	GEAR 13T
20-12	P0842020-12	SET SCREW M6-1 X 8
20-13	P0842020-13	SPRING RETAINER NUT M8-1.25 X 30 X 23 X 2.5
20-14	P0842020-14	EXTENSION SPRING 2.5 X 14.5 X 72
20-15	P0842020-15	STEEL PIN 4 X 87

REF	PART #	DESCRIPTION
20-16	P0842020-16	BUSHING
20-17	P0842020-17	SET SCREW M8-1.25 X 8
20-18	P0842020-18	HEX NUT M8-1.25
20-19	P0842020-19	LOCK NUT M8-1.25
20-20	P0842020-20	EXT RETAINING RING 10MM
21	P0842021	FLAT WASHER 12MM
22	P0842022	HEX NUT M12-1.75
23	P0842023	COPY ATTACHMENT DRIVE ASSEMBLY
23-1	P0842023-1	RACK
23-2	P0842023-2	PINION HOUSING
23-3	P0842023-3	PHLP HD SCR M5-.8 X 8
23-4	P0842023-4	WAY WIPER
23-5	P0842023-5	HANDWHEEL HUB
23-6	P0842023-6	SET SCREW M6-1 X 12 DOG-PT
23-7	P0842023-7	HEX NUT M10-1.5
23-8	P0842023-8	ANGLE STUD 60-DEG DE M10-1.5 X 140, 18
23-9	P0842023-9	KNOB M10-1.5, D50
23-10	P0842023-10	BALL BEARING 6201-2RS
23-11	P0842023-11	PINION SHAFT
23-12	P0842023-12	SET SCREW M6-1 X 8 DOG-PT
23-13	P0842023-13	PINION GEAR 15T
23-14	P0842023-14	BALL BEARING 6200-2RS
23-15	P0842023-15	SHOULDER SCREW M5-.8 X 7, 6.5 X 15
31	P0842031	SAFETY SHIELD MOUNTING BRACKET
32	P0842032	SAFETY SHIELD
33	P0842033	WRENCH 22 X 24MM OPEN-ENDS
34	P0842034	FLAT WRENCH 32MM
36	P0842036	KNOCKOUT ROD
37	P0842037	HEX WRENCH 3MM
38	P0842038	HEX WRENCH 4MM
39	P0842039	HEX WRENCH 5MM
40	P0842040	HEX WRENCH 6MM
41	P0842041	CAP SCREW M8-1.25 X 16
43	P0842043	END SUPPORT
44	P0842044	STAND LEG A
45	P0842045	HEX NUT M8-1.25
46	P0842046	FLAT WASHER 8MM
47	P0842047	CARRIAGE BOLT M8-1.25 X 16
48	P0842048	STAND LEG B
49	P0842049	TOOL TRAY
50	P0842050	HEX BOLT M8-1.25 X 16
51	P0842051	FLAT WASHER 8MM
52	P0842052	HEX NUT M8-1.25
53	P0842053	FLAT WASHER 6MM
54	P0842054	FLAT WASHER 8MM
55	P0842055	KNOB BOLT M6-1 X 10, D39, DIAMOND
56	P0842056	HANDWHEEL 100D X 12B-S X M6-1
57	P0842057	SET SCREW M6-1 X 10



Headstock

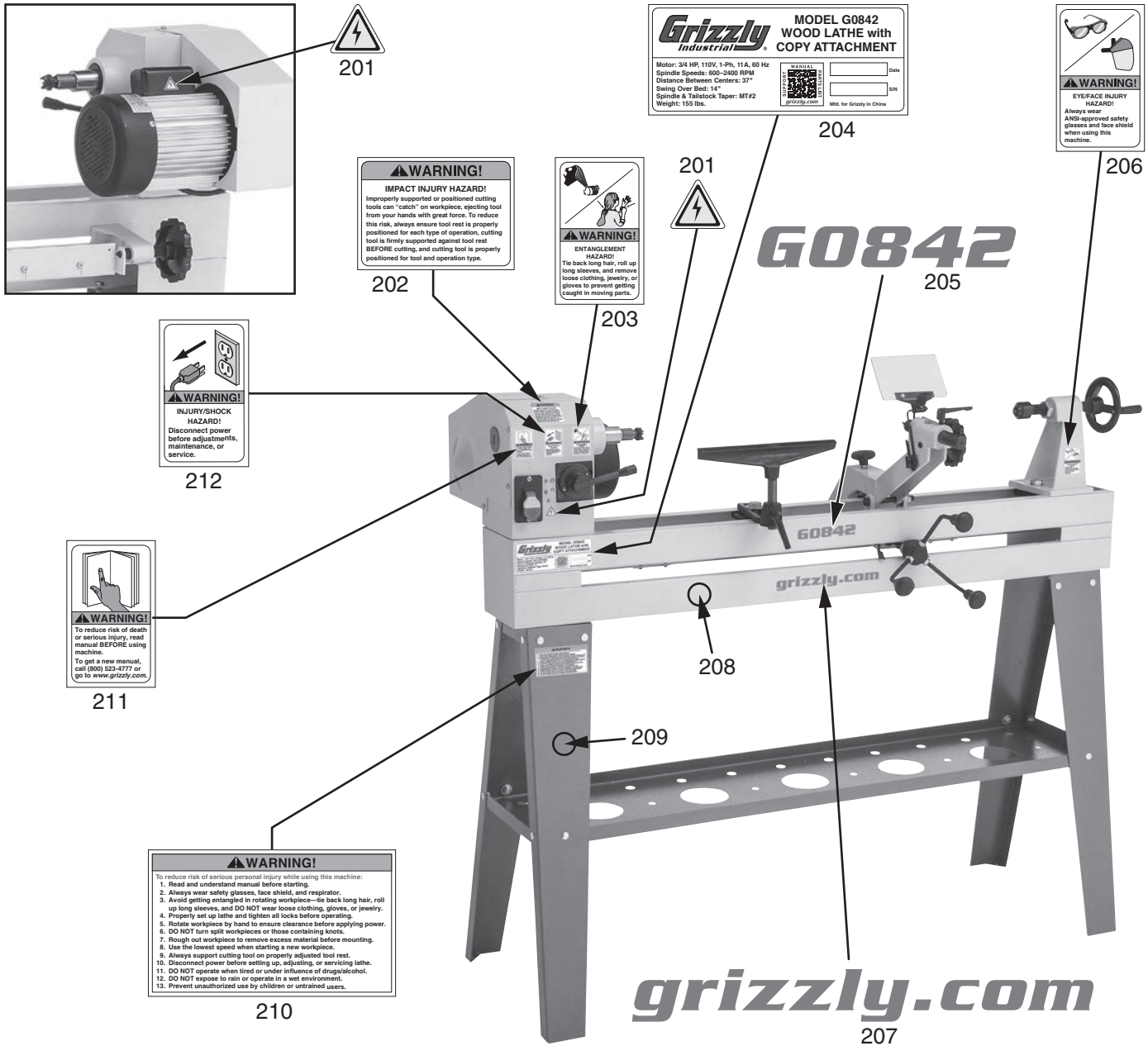


REF	PART #	DESCRIPTION
101	P0842101	HEADSTOCK CASTING
102	P0842102	FACEPLATE 6"
103	P0842103	SPUR CENTER MT#2
104	P0842104	SPINDLE MT#2
105	P0842105	KEY 4 X 4 X 80
106	P0842106	BALL BEARING 6205ZZ
107	P0842107	INT RETAINING RING 52MM
108	P0842108	COMPRESSION SPRING 2.5 X 22.5 X 107
109	P0842109	SPINDLE SPEED SHIFT BRACKET
110	P0842110	EXT RETAINING RING 35MM
111	P0842111	INT RETAINING RING 62MM
113	P0842113	MOTOR 1HP 110V 1-PH
113-1	P0842113-1	MOTOR FAN
113-2	P0842113-2	MOTOR FAN COVER
113-3	P0842113-3	S CAPACITOR 200M 125V 1-5/16 X 3-1/8
113-4	P0842113-4	CAPACITOR COVER
113-5	P0842113-5	BALL BEARING 6202ZZ (FRONT)
113-6	P0842113-6	BALL BEARING 6203ZZ (REAR)
113-7	P0842113-7	CENTRIFUGAL SWITCH
113-8	P0842113-8	CONTACT PLATE
114	P0842114	KEY 4 X 4 X 80
115	P0842115	PHLP HD SCR M5-.8 X 8
116	P0842116	MOTOR PULLEY COVER
117	P0842117	MOTOR PULLEY (2PC)
119	P0842119	COMPRESSION SPRING 2.5 X 28 X 65
120	P0842120	SLEEVE
121	P0842121	EXT RETAINING RING 16MM
122	P0842122	EXT RETAINING RING 25MM
123	P0842123	SPINDLE SPEED SHIFTING RACK
124	P0842124	HEX NUT M8-1.25

REF	PART #	DESCRIPTION
125	P0842125	SET SCREW M8-1.25 X 25 DOG-PT
126	P0842126	SET SCREW M6-1 X 10
127	P0842127	EXT RETAINING RING 24MM
128	P0842128	SPINDLE PULLEY (2PC)
129	P0842129	V-BELT M24.5 3L245, COGGED
130	P0842130	BALL BEARING 6007ZZ
131	P0842131	CORD CLAMP
132	P0842132	PHLP HD SCR M4-.7 X 22
133	P0842133	POWER CORD 14G 3W 96" 5-15P
134	P0842134	STRAIN RELIEF TYPE-3 M20-1.5
135	P0842135	HEX BOLT M8-1.25 X 30
136	P0842136	SWITCH BOX
137	P0842137	SAFETY PADDLE SWITCH HY-18
138	P0842138	PHLP HD SCR M4-.7 X 8
139	P0842139	FLAT WASHER 4MM
140	P0842140	PHLP HD SCR M5-.8 X 12
141	P0842141	SPINDLE SPEED SHIFT LEVER ASSEMBLY
141-1	P0842141-1	GEAR SHAFT 14T
141-2	P0842141-2	SHIFT LEVER SEAT
141-3	P0842141-3	SHIFT LEVER HUB
141-4	P0842141-4	COMPRESSION SPRING 0.9 X 5.9 X 25
141-5	P0842141-5	SHIFT LEVER SHAFT M10-1.5 X 15, 110L
141-6	P0842141-6	LOCATING PIN
141-7	P0842141-7	ROLL PIN 3 X 32
141-8	P0842141-8	KNOB M10-1.5 D19, 38L
141-9	P0842141-9	SET SCREW M8-1.25 X 20 DOG-PT
141-10	P0842141-10	COMPRESSION SPRING 0.9 X 5.9 X 16
142	P0842142	SPINDLE SPEED SHIFT LEVER PLATE
144	P0842144	RED PLASTIC COVER
145	P0842145	LOCK WASHER 8MM



Labels & Cosmetics



REF	PART #	DESCRIPTION
201	P0842201	ELECTRICITY LABEL
202	P0842202	IMPACT INJURY HAZARD LABEL
203	P0842203	ENTANGLEMENT WARNING LABEL
204	P0842204	MACHINE ID LABEL
205	P0842205	MODEL NUMBER LABEL
206	P0842206	EYE/FACE INJURY WARNING LABEL

REF	PART #	DESCRIPTION
207	P0842207	GRIZZLY.COM LABEL
208	P0842208	TOUCH-UP PAINT, GRIZZLY BEIGE
209	P0842209	TOUCH-UP PAINT, GRIZZLY GREEN
210	P0842210	WOOD LATHE WARNING LABEL
211	P0842211	READ MANUAL WARNING LABEL
212	P0842212	DISCONNECT POWER LABEL

⚠️ WARNING

Safety labels help reduce the risk of serious injury caused by machine hazards. If any label comes off or becomes unreadable, the owner of this machine **MUST** replace it in the original location before resuming operations. For replacements, contact (800) 523-4777 or www.grizzly.com.

