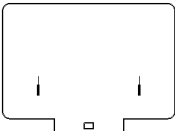
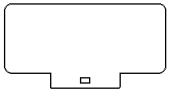
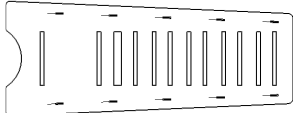


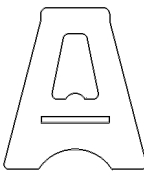
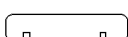







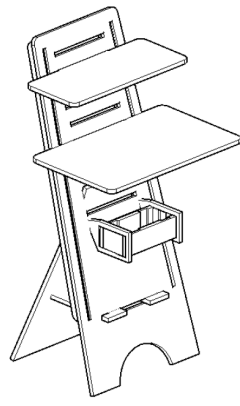
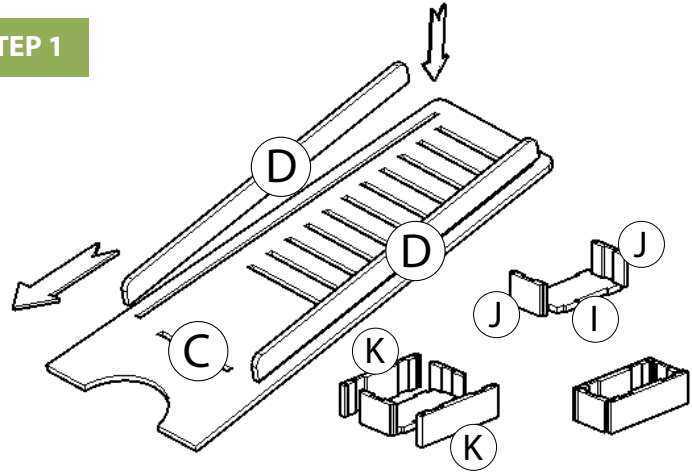


Part Number	# of Pieces	Parts Description & Diagram
A	1	 Large Table Top
B	1	 Small Table Top
C	1	 Frame
D	2	 Frame Brace
E	2	 Support Bars - Large Table Top
F	1	 Leg
G	2	 Leg Stabilizer Bar
H	2	 T-Lock
I	1	 Storage Box Bottom
J	2	 Storage Box Sides
K	2	 Storage Box Front & Back
L	2	 Storage Box Supports
M	2	 Phone/Tablet Holder
N	2	 Headphone Storage/Hanger

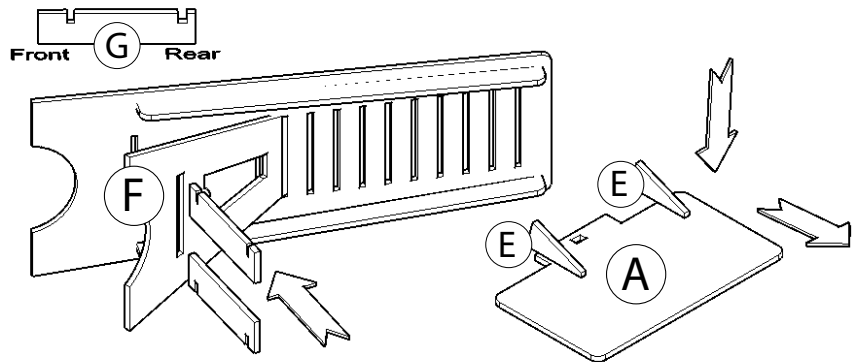


## Sit Stand Desk Assembly Instructions

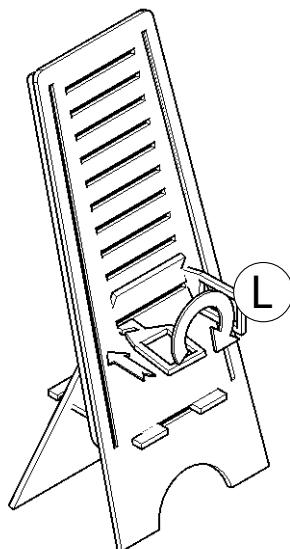
### STEP 1



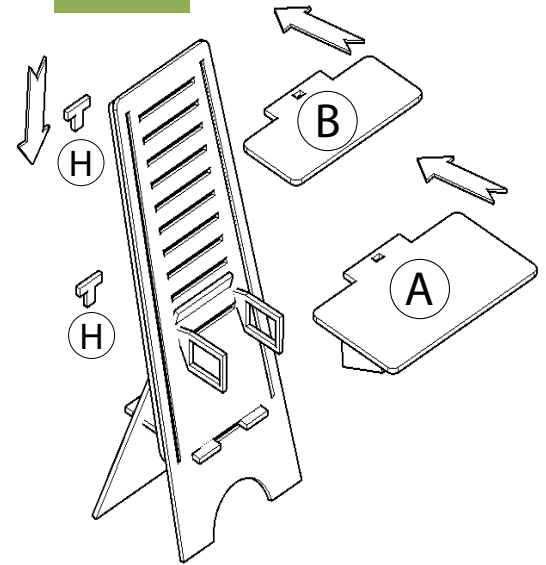
### STEP 2



### STEP 3



### STEP 4



Need further assistance?

Head to [www.eco-tribe.com](http://www.eco-tribe.com) for instructional videos and after sales customer support.