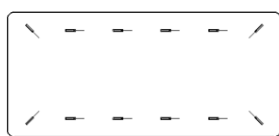


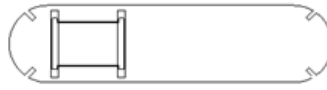




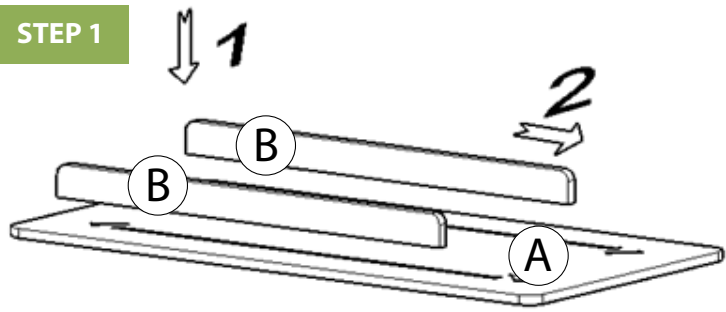


Modern Plywood desk Assembly Instructions

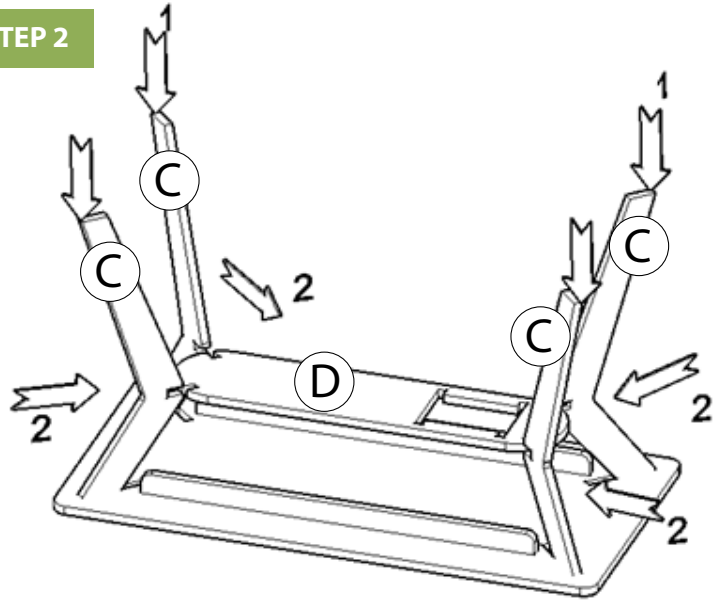
Part Number	# of Pieces	Parts Description & Diagram
A	1	 Table Top
B	2	 Brace Bar
C	4	 Leg
D	1	 Shelf
E	1	 Storage Box Bottom
F	2	 Storage Box Sides
G	2	 Storage Box Front & Back
H	2	 Storage Box Frame

When installing, please put the packing carton and sponge underneath to avoid surface scratches

STEP 1

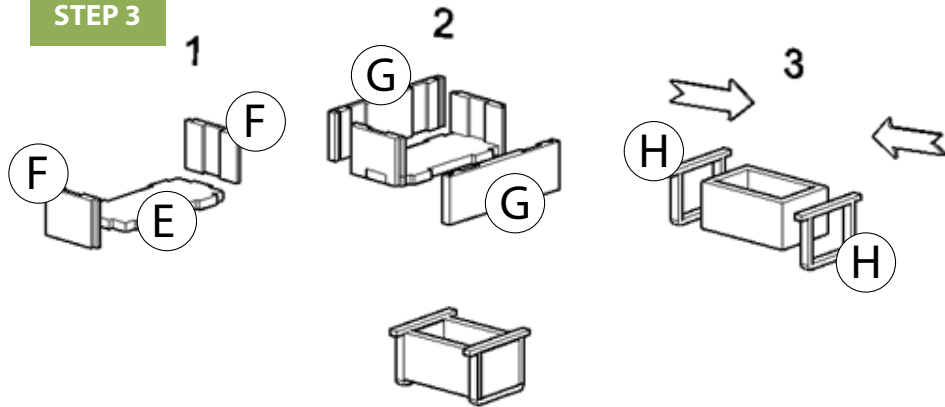


STEP 2

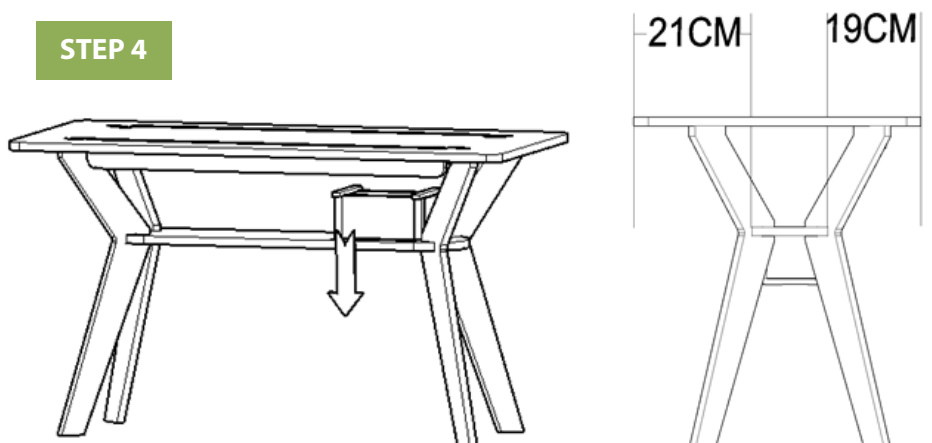


The four legs (Part C) in the picture above need to be placed in the slot at the same time, and then pushed to the bottom of the chute respectively

STEP 3



STEP 4



Need further assistance?

Head to www.eco-tribe.com for instructional videos and after sales customer support.