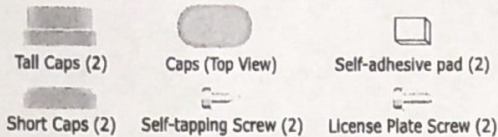
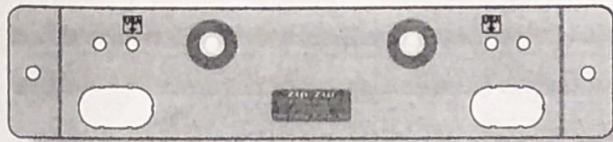


Zip-Zip. ...and you're done!



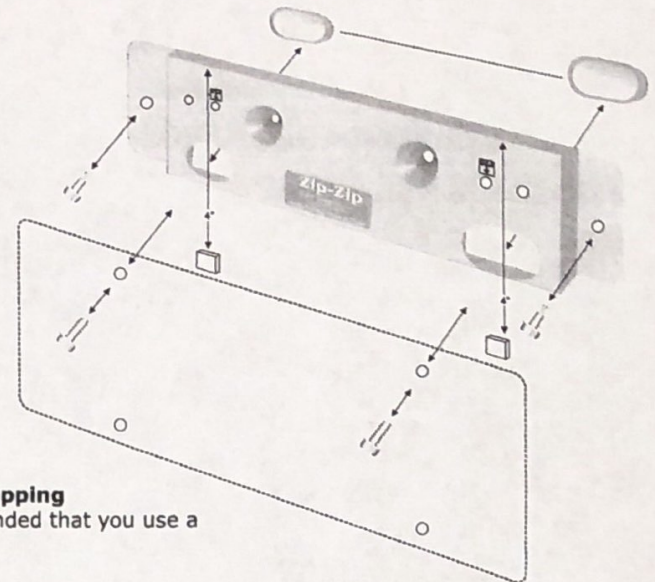
Mounting - Standard

Align the ZIP ZIP Bracket as desired and mount using the two self-tapping screws (provided) through holes in both ends of bracket. It is recommended that you use a drill/driver with a 10mm magnetic nut-driver or a 10mm socket. (DO NOT over tighten screws.)

Peel off backing on the two self-adhesive pads (provided) and place on vehicle approximately 4" below top of bracket. (Clean the area where placing pads with rubbing alcohol, allow to dry thoroughly.)

Optional: The Short Cap inserts may be snapped into the two oval openings from the back side for a more "finished look" if desired.

Mount license plate by inserting two license plate screws (provided) through license plate and into bracket holes marked USA.



Option #2 Mounting

Align the ZIP ZIP Bracket as desired and mount using the two self-tapping screws (provided) through the two recessed holes in the bracket. It is recommended that you use a drill/driver with a 10mm magnetic nut-driver or a 10mm socket. (DO NOT over tighten screws.)

Peel off backing on the two self-adhesive pads (provided) and place on vehicle approximately 4" below top of bracket. (Clean the area where placing pads with rubbing alcohol, allow to dry thoroughly.)

Optional: The Short Cap inserts may be snapped into the two oval openings from the back side for a more "finished look" if desired.

Mount license plate by inserting two license plate screws (provided) through license plate and into bracket holes marked USA.

Option #3 Mounting

If old license plate screws are still in place and cannot be removed, and provided there is sufficient vertical clearance (this method will lower the license plate approximately 1 1/2 inches).

Rotate the bracket 180 degrees and insert the Tall Cap inserts from the back side. Mount bracket by using the two self-tapping screws (provided) through holes in both ends of bracket or through recessed holes. It is recommended that you use a drill/driver with a 10mm magnetic nut-driver or a 10mm socket. (DO NOT over tighten screws.) (Adjust location of self adhesive pads as required).

Mount license plate by inserting two license plate screws (provided) through license plate and into bracket holes marked USA.