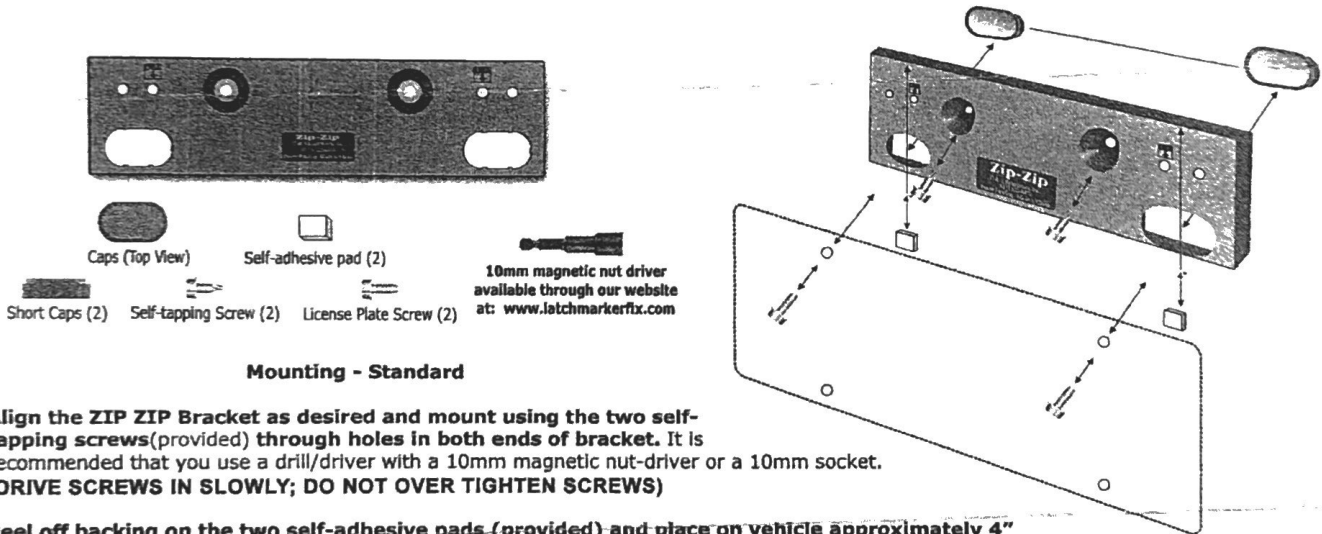


Zip-Zip. ...and you're done!

Front Bracket Instructions



Mounting - Standard

Align the ZIP ZIP Bracket as desired and mount using the two self-tapping screws (provided) through holes in both ends of bracket. It is recommended that you use a drill/driver with a 10mm magnetic nut-driver or a 10mm socket. **(DRIVE SCREWS IN SLOWLY; DO NOT OVER TIGHTEN SCREWS)**

Peel off backing on the two self-adhesive pads (provided) and place on vehicle approximately 4" below top of bracket. (Clean the area where placing pads with rubbing alcohol, allow to dry thoroughly.)

Optional: The Short Cap Inserts may be snapped into the two oval openings from the back side for a more "finished look" if desired.

Mount license plate by inserting two license plate screws (provided) through license plate and into bracket holes marked USA.