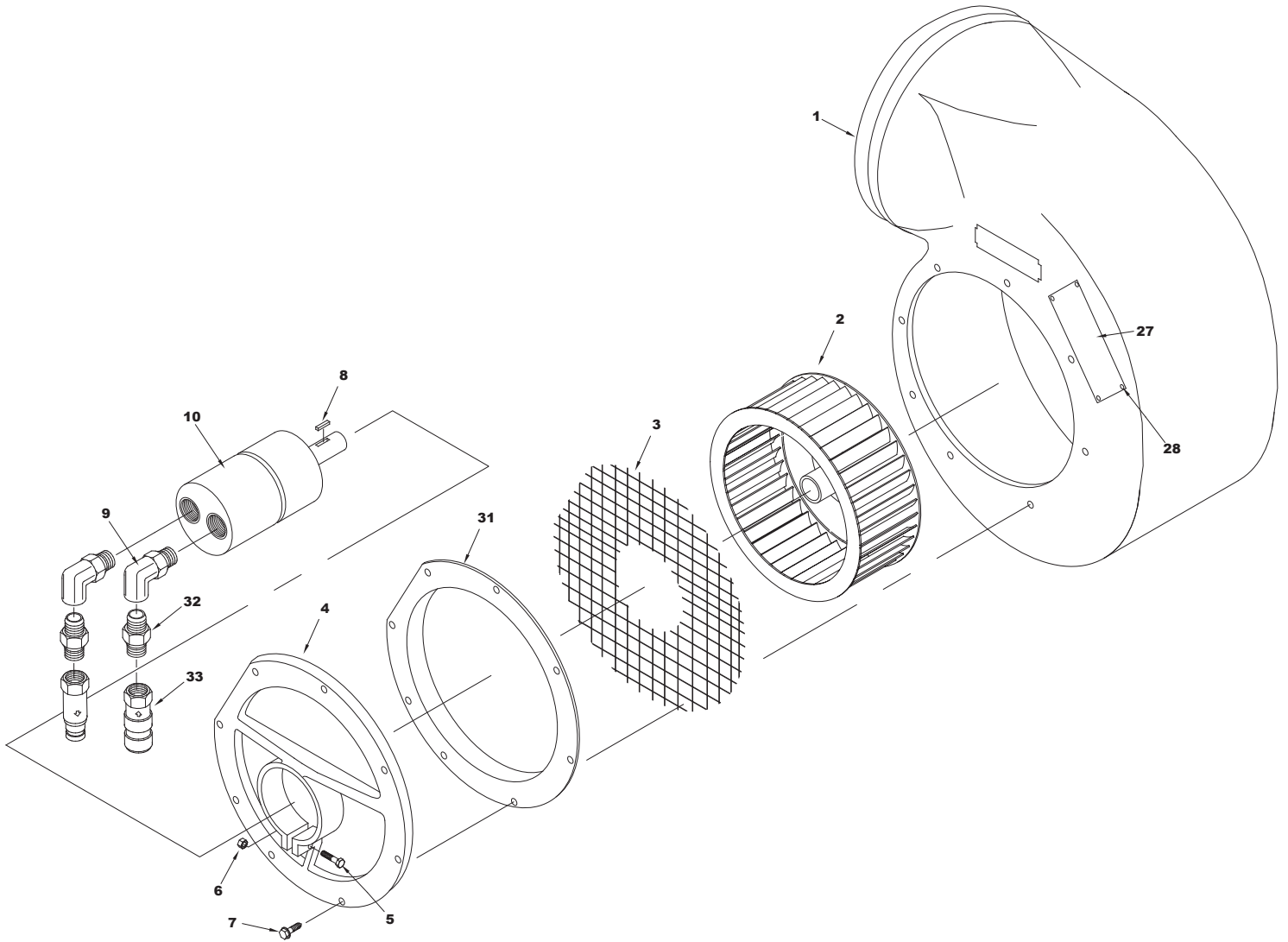


VF80 PARTS ILLUSTRATION



VF80 PARTS LIST

ITEM	PART NO.	QTY	DESCRIPTION
1	06952	1	VOLUTE
2	33458	1	BLOWER WHEEL
3	14607	1	INLET SCREEN
4	06954	1	MOTOR MOUNT BRIDGE
5	06638	1	CAPSCREW
6	00429	1	NUT
7	00152	8	TAPPING SCREW
8	06964	1	KEY
9	06960	2	ADAPTER, 90° #10 TO 1/2 NPT FEMALE
10	21445	1	MOTOR ASSEMBLY
27	07177	1	CERTIFICATION PLATE
28	07179	4	PAN HEAD SELF-TAPPING SCREW
31	33459	1	INLET RING
32	03263	2	HEX NIPPLE
33	03971	1	COUPLER SET