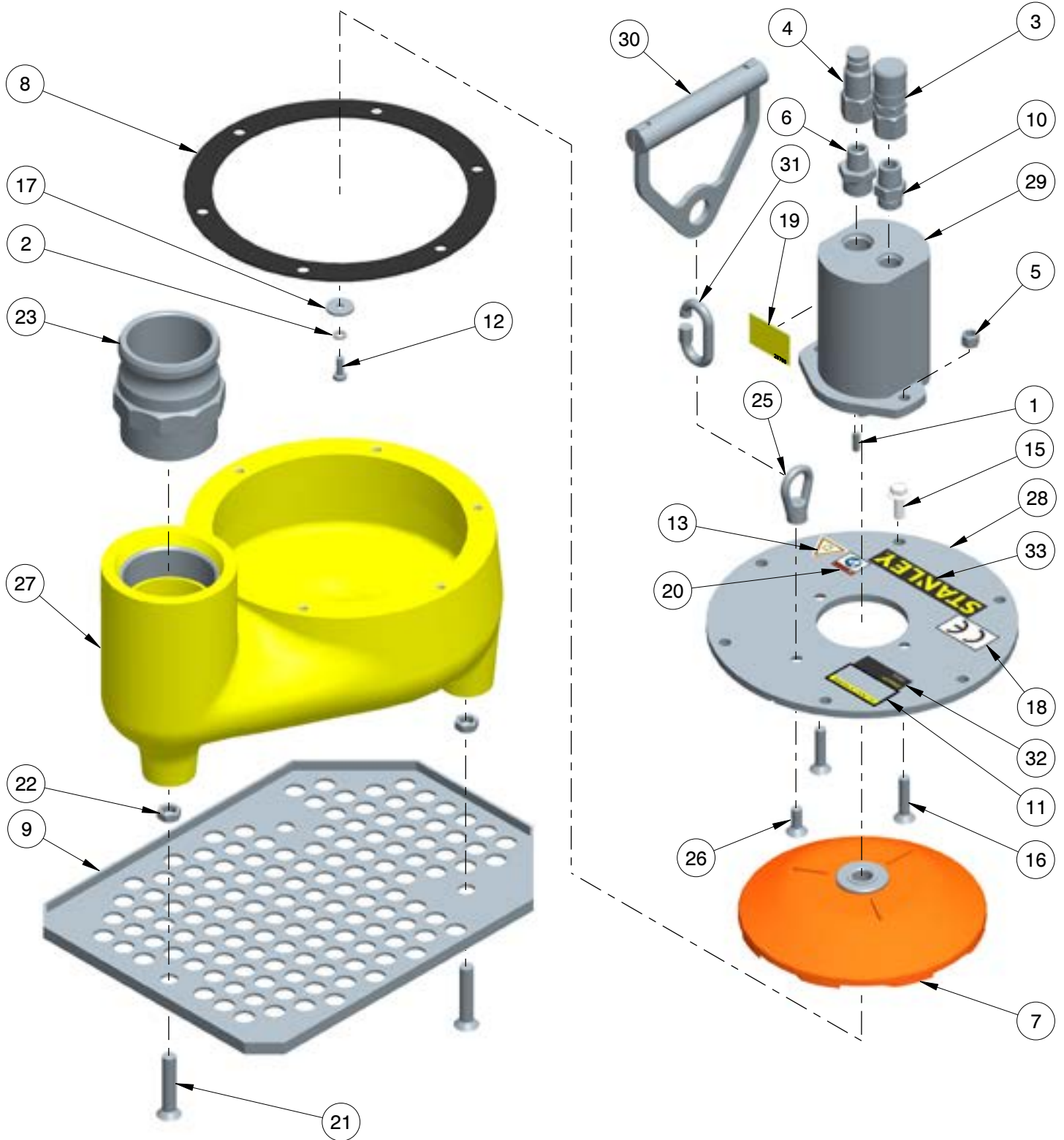


TP03 PARTS ILLUSTRATION



TP03 PARTS LIST

ITEM NO.	PART NO.	QTY	DESCRIPTION
1	00635	1	Key
2	01324	1	LOCKWASHER 1/4" I.D.
3	03975	1	COUPLER,3/8 FEM 1/2NPT FL.FACE SET#03974
4	03976	1	COUPLER,3/8MALE 1/2NPT FL.FACE SET#03974
5	04353	2	NYLOCK NUT 3/8-16UNC
6	06264	1	ADAPTER -12 SAE X 1/2 NPT
7	07200	1	IMPELLER ASSY
8	07201	1	TP03 GASKET
9	07206	1	BASE PLATE
10	07882	1	ADAPTER 10-1/2 F50F
11	09612	1	GENERAL CAUTION STICKER
12	09661	1	CAPSCREW 1/4-28UNF X .750 SST
13	11207	1	CIRCUIT TYPE "D" STICKER
14	15875	1	WARNING TAG (NOT SHOWN)
14	88346	1	WARNING TAG - FRENCH (NOT SHOWN)
15	19534	6	HEX FLANGE BOLT 3/8-16 X 1
16	21978	2	CAPSCREW 3/8-16 X 1.75 FH SST
17	22294	1	WASHER 1"OD X 1/4 ID SST
18	28323	1	STICKER "CE" 25MM
19	28786	1	COUPLER STICKER
20	28788	1	STICKER - MANUAL
21	38701	3	CAPSCREW 1/2-13 X 2.5 FH ZINC
22	38702	3	HEX JAM NUT 1/2-13UNC
23	52720	1	CAMLOCK COUPLING 3"
24	58555	1	USER MANUAL, TP03 (NOT SHOWN)
25	73058	1	LIFTING EYE NUT 3/8-16
26	73061	1	CAPSCREW 3/8-16 X 1 HSFT SST
27	73067	1	URETHANE BOWL YELLOW
28	73356	1	MOTOR ADAPTOR PLATE
29	73504	1	HYDRAULIC MOTOR PLATED (IF RESEALING MOTOR, TORQUE MOTOR BOLTS TO 15-17 FT. LBS (20-23 Nm)
30	73576	1	CARRYING HANDLE
31	73577	1	QUICK LINK SST
32	74701	1	NAME TAG - TP03
33	74711	1	DECAL - STANLEY LOGO 1" X 5"
	66401	1	SEAL KIT (JIHOSTRO BRAND MOTOR ONLY) FOR P/N-24381 MOTOR
	73431	1	SEAL KIT (JIHOSTRO 2014 SERIES MOTOR ONLY) FOR P/N-73504 MOTOR. SERIAL # 031315004 AND UP.
	26230	1	SEAL KIT (CASAPPA BRAND MOTOR ONLY)
	73434	1	OUTPUT SHAFT FOR P/N-24381 MOTOR ONLY
A01	03974	1	COUPLER SET (INCLUDES ITEMS 3 & 4)