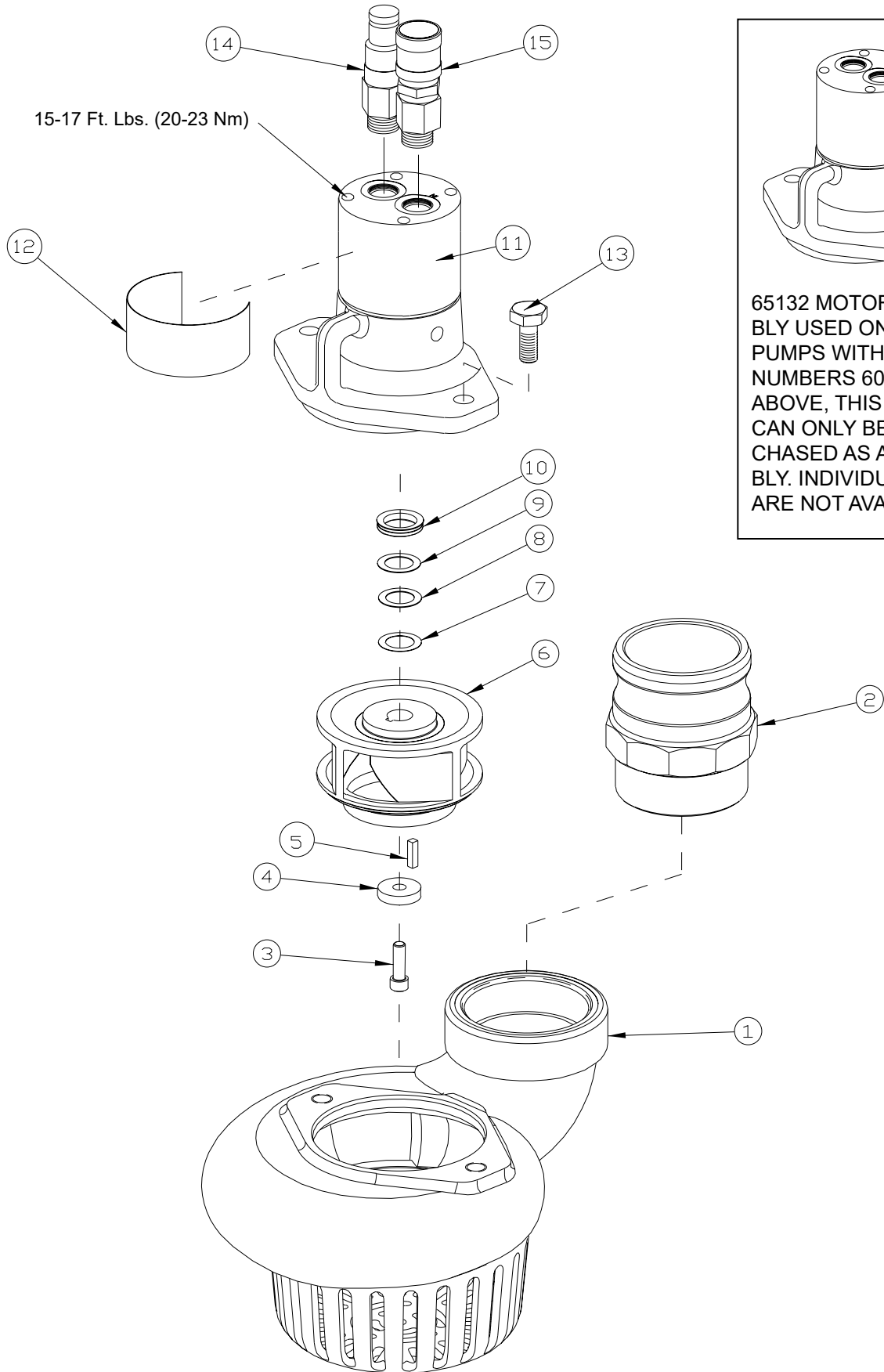


SM50 PARTS ILLUSTRATION



65132 MOTOR ASSEMBLY USED ON SUMP PUMPS WITH SERIAL NUMBERS 600 AND ABOVE, THIS MOTOR CAN ONLY BE PURCHASED AS AN ASSEMBLY. INDIVIDUAL PARTS ARE NOT AVAILABLE.

SM50 PARTS LIST

ITEM NO.	PART NO.	QTY	DESCRIPTION
1	52669	1	VOLUTE
2	52720	1	CAMLOCK COUPLING 3 IN.
3	13815	1	HSCHS 5/16 – 18 × 3/4
4	56763	1	WASHER
5	00635	1	KEY
6	52671	1	IMPELLER
7	31032	1*	SHIM .020 (* NOTE QTY WHEN DISASSEMBLING TOOL)
8	31033	1*	SHIM .010 (* NOTE QTY WHEN DISASSEMBLING TOOL)
9	31034	1*	SHIM .005 (* NOTE QTY WHEN DISASSEMBLING TOOL)
10	52716	1	V-RING
11	65132	1	MOTOR ASSEMBLY
12	74764	1	SM50 COMBINED STICKER
13	52718	2	HHCS M12-1.75 X 30MM
14	58857	1	MALE FLUSH FACE COUPLER NOSE 3/8 NPT
15	58856	1	FEMALE FLUSH FACE COUPLER BODY 3/8 NPT
KT1	58718	1	COUPLER SET (MALE & FEMALE)
KT2	52758	1	REPAIR KIT FOR MOTORS ON UNITS WITH SERIAL NUMBER 599 AN BELOW. (INCLUDES 2 BEARINGS 00148, 1 KEY 00635, 1 CAPSCREW 02764, 1 NEEDLE ROLLER 06881, 1 WASHER 52717 & 1 SEAL KIT 52759)
SK1	66398	1	SEAL KIT FOR 65132 MOTOR ASSEMBLY(SERIAL # 600 AND ABOVE)

Note: all SM50 pumps with a serial number of 600 and above, come shipped with p/n 65132 motor assembly installed. A separate seal kit 66398 is available for this motor. If you have a SM50 with serial # 599 and below contact STANLEY Customer Service for parts.