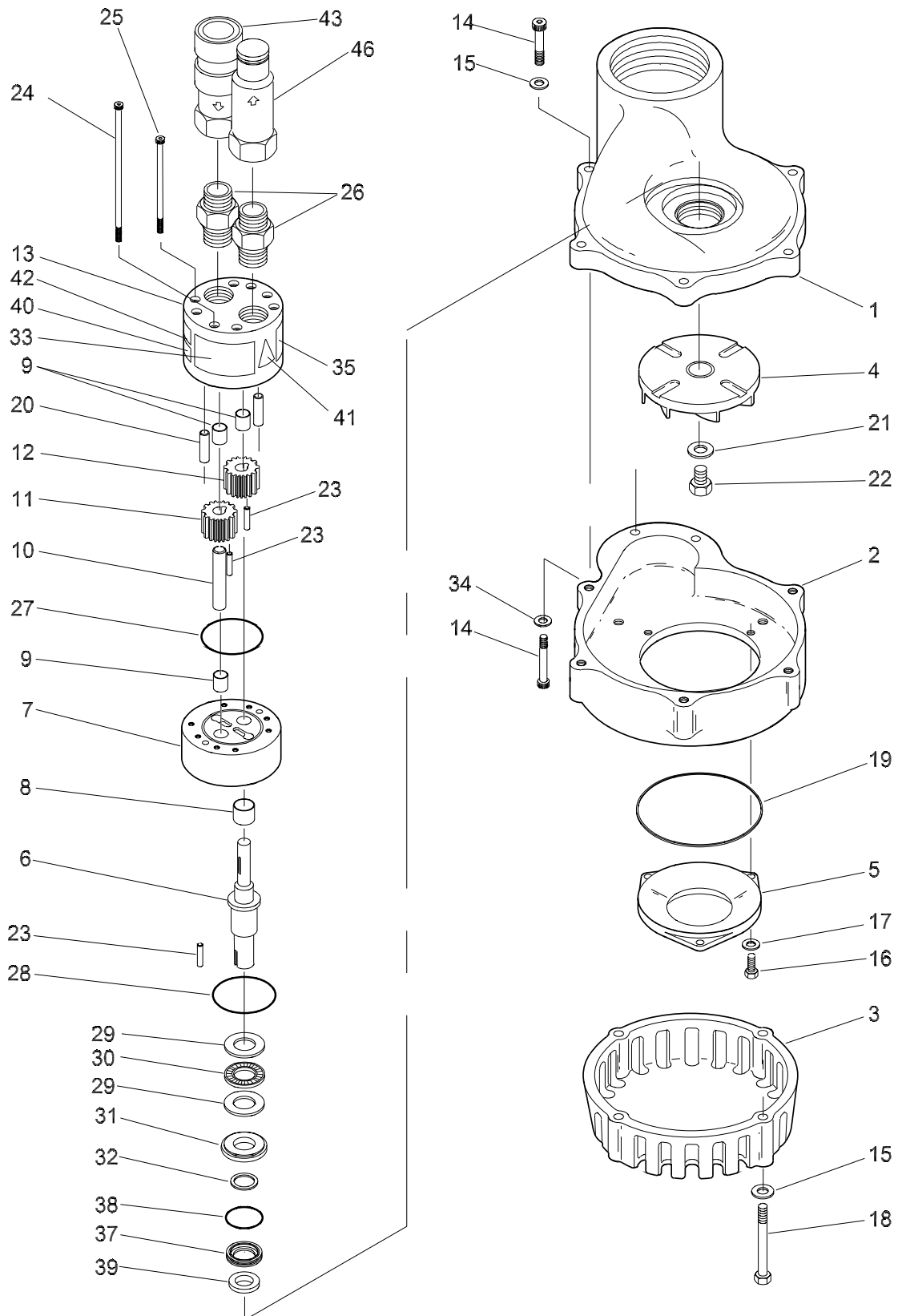


SM20 PARTS ILLUSTRATION



SM20 PARTS LIST

ITEM NO.	PART NO.	QTY	DESCRIPTION
1	19177	1	VOLUTE TOP
2	08910	1	VOLUTE BOTTOM
3	08912	1	SUCTION SCREEN
4	08914 25669	1 1	IMPELLER IMPELLER (SM2043101, SM2043107 ONLY)
5	08916	1	WEAR RING
6	19175 21120	1 1	MAIN SHAFT MAIN SHAFT (SM2052101 ONLY)
7A	08920	1	FRONT BEARING RETAINER ASSEMBLY (INCLUDES ITEMS 7-9)
7	08919	1	FRONT BEARING RETAINER
8	04040	1	DU BUSHING, 9/16 ID
9	04041	3	DU BUSHING, 3/8 ID
10	09382	1	IDLER SHAFT
11	09384 04106	1 1	DRIVE GEAR DRIVE GEAR (SM2052101 ONLY)
12	09384 04106	1 1	DRIVE GEAR DRIVE GEAR (SM2052101 ONLY)
13	09385 21121	1 1	GEAR HOUSING ASSEMBLY (INCLUDES ITEMS 9, 13, 20) GEAR HOUSING ASSY (INCL 9, 13, 20) (SM2052101 ONLY)
14	00230	7	CAPSCREW
15	00283	11	LOCKWASHER
16	08937	3	CAPSCREW
17	01324	3	LOCKWASHER
18	08925	4	CAPSCREW
19	08923	1	SHIMS, .020 (NOTE QUANTITY WHEN DISASSEMBLING TOOL)
20	00289	2	DOWEL PIN
21	02259	1	FLAT WASHER
22	01213	1	CAPSCREW
23	04044	3	NEEDLE ROLLER (1 FOR EACH GEAR) AND 1 FOR MOTOR SHAFT ON IMPELLER END.
24	08927 21128	4 4	CAPSCREW CAPSCREW (SM2052101 ONLY)
25	09687 00786	4 4	CAPSCREW CAPSCREW (SM2052101 ONLY)
26	00936	2	ADAPTER
27	00020	1	O-RING
28	00252	1	O-RING
29	06636	2	BEARING RACE
30	06637	1	THRUST BEARING
31	19178	1	BACKUP WASHER
32	30921	1	QUAD RING
33	74761 74762	1 1	SM20 MODEL DECAL 30 LPM SM20 MODEL DECAL 20 LPM (SM2052101 ONLY)
34	00283	2	LOCKWASHER

ITEM NO.	PART NO.	QTY	DESCRIPTION
35	88348	1	MANUAL DECAL
36	—	—	NO ITEM
37	71327	1	SEAL CARRIER
38	00074	1	O-RING
39	19176	1	WIPER SEAL
40	28323	1	CE DECAL (CE ONLY)
41	11207 11206	1	CIRCUIT TYPE D (CE ONLY) CIRCUIT TYPE C (CE ONLY) (SM2052101 ONLY)
42	28786	1	COUPLER DECAL
43	03972	1	FEMALE COUPLER
46	03973	1	MALE COUPLER
KT1	03971	1	COUPLER SET (INCLUDES ITEMS 43 & 46)
KT2	20135	1	REPAIR KIT (INCLUDES ITEMS 4, 21-23 & 29-31 PLUS SK1) NOTE THIS REPAIR KIT INCLUDES IMPELLER 08914 BUT NOT IMPELLER 25669)
SK1	19937	1	SEAL KIT (INCLUDES ITEMS 27, 28, 32, 37-39)