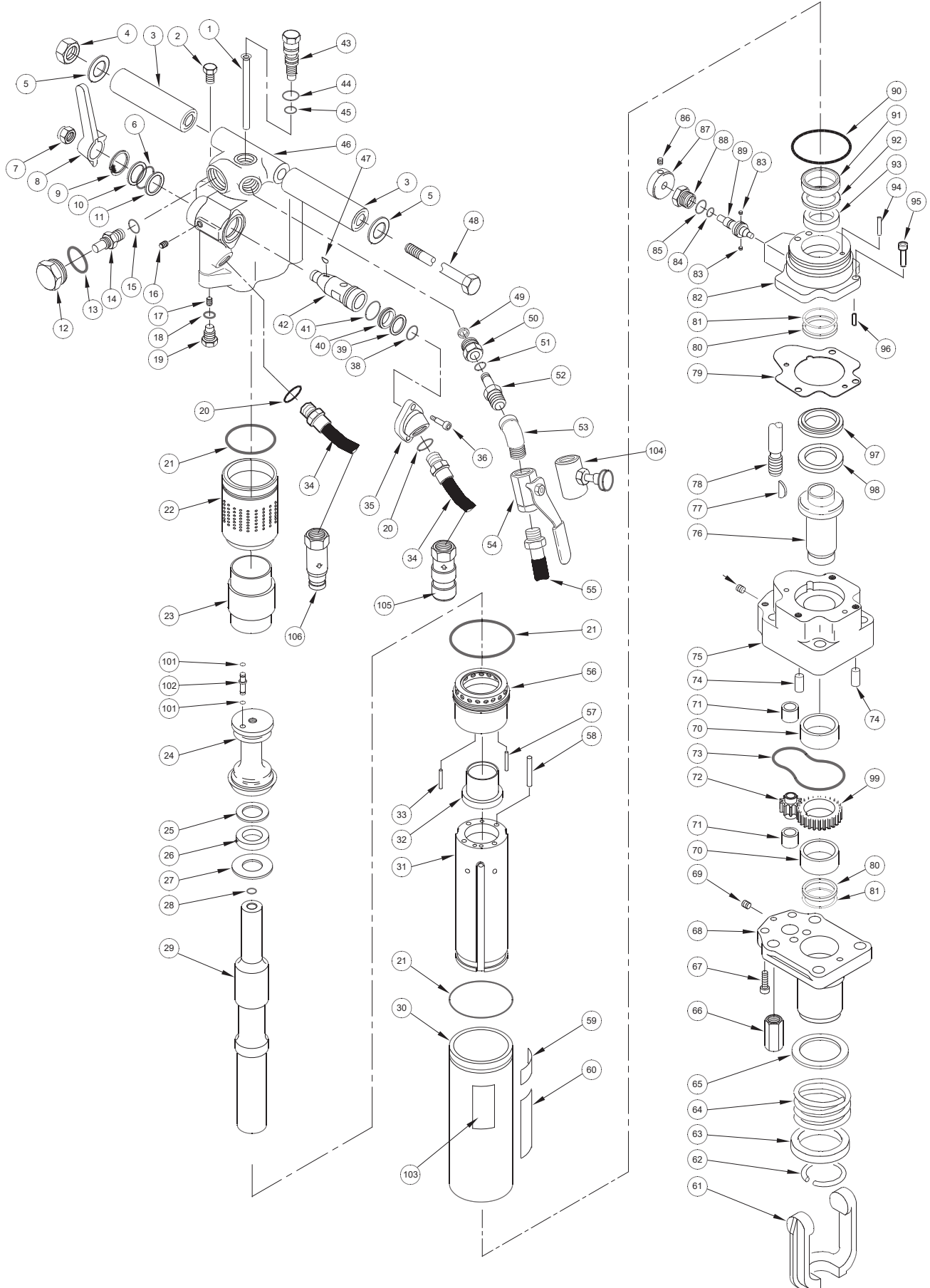


SK58 PARTS ILLUSTRATION



SK58 PARTS LIST

ITEM	PART NO.	QTY	DESCRIPTION
1	04763	1	AIR TUBE (SK58110/SK58130/SK58310 ONLY)
	04965	1	WATER TUBE (SK58120 ONLY)
2	07064	1	VENT PLUG
3	04964	2	HANDLE GRIP ASSEMBLY
4	01714	1	NUT HEAVY HEX JAM
5	04786	2	WASHER
6	04794	1	O-RING *
7	04147	1	LOCKNUT
8	04718	1	VALVE LEVER
9	04902	1	RETAINING RING
10	04751	1	WASHER
11	04793	1	KAP SEAL *
12	04775	1	CHARGE VALVE CAP
13	04052	1	O-RING *
14	04051	1	CHARGING VALVE (INCLUDES ITEM 15)
17	00955	1	PIPE PLUG
18	01411	1	O-RING *
19	04772	1	ORIFICE PLUG
20	01605	2	O-RING *
21	04054	3	O-RING *
22	04060	1	ACCUMULATOR CYLINDER
23	04059	1	ACCUMULATOR DIAPHRAGM
24	04779	1	ACCUMULATOR CHAMBER
25	04780	1	BACK UP WASHER
26	04386	1	CUP SEAL *
27	04750	1	WASHER
28	06268	1	TUBE SEAL (SK58120 ONLY) *
29	04734	1	PISTON (SK58110 / SK58130)
	06265	1	PISTON (SK58120 / SK58310)
30	04068	1	FLOW SLEEVE TUBE
31	07889	1	FLOW SLEEVE (SEE NOTE PAGE 19)
32	04065	1	AUTOMATIC VALVE
33	07890	1	ROLL PIN
34	01652	2	PIGTAIL HOSE ASSEMBLY
35	04781	1	INLET FLANGE
36	02688	2	CAPSCREW
38	02003	1	O-RING*
39	04771	1	WASHER
40	04791	1	KAP SEAL *
41	04795	1	O-RING *
42	04777	1	THROTTLE VALVE
43	04778	1	BLOWER TUBE NUT
44	00016	1	O-RING *

ITEM	PART NO.	QTY	DESCRIPTION
45	00175	1	O-RING *
46	04660	1	HOUSING
47	00772	1	KEY
48	07291	1	MODIFIED CAPSCREW
49	04512	1	RETAINING RING
50	04764	1	SWIVEL FITTING
51	00106	1	O-RING *
52	04765	1	INLET SWIVEL BODY
53	04767	1	STREET ELBOW 45°
54	05202	1	VALVE-AIR ONLY (SK58110/SK58130/SK58310 ONLY)
55	04801	1	HOSE ASSEMBLY
56	04066	1	AUTOMATIC VALVE BODY
57	04571	2	PUSH PIN
58	04067	4	PUSH PIN
59	03786	1	GPM STICKER
60	05152	1	STANLEY STICKER
61	04721	1	LATCH CASTING
62	04761	1	RETAINING RING
63	04759	1	SPRING BACK-UP
64	04758	1	COIL SPRING
65	04756	1	LATCH WASHER
66	04075	4	SIDE ROD NUT
67	01217	2	CAPSCREW
68	04748	1	MOTOR PLATE
69	00783	1	PIPE PLUG
70	04788	2	DU BEARING
71	03826	2	DU BEARING
72	04033	1	IDLER GEAR
73	01277	1	O-RING *
74	00713	2	DOWEL PIN
75	04744	1	DRIVE MOTOR CHAMBER
76	04784	1	DRIVE HEX (SK58110 ONLY)
	06267	1	DRIVE HEX (SK58120/SK58310 ONLY)
	05195	1	DRIVE HEX (SK58130 ONLY)
77	04787	1	WOODDRUFF KEY
78	04373	4	SIDE ROD
79	04774	1	GASKET *
80	23395	2	QUAD RING *
81	23399	2	BACK-UP RING *
82	04769	1	DRIVE MOTOR CONTROL BLOCK (SK58110/SK58130/SK58310 ONLY)
	06266	1	DRIVE MOTOR CONTROL BLOCK (SK58120 ONLY)
83	00634	2	NYLON CAP LOCK
84	01362	1	O-RING *

SK58 PARTS LIST

ITEM	PART NO.	QTY	DESCRIPTION
85	01605	1	O-RING *
86	18643	1	SETSCREW
87	04753	1	MOTOR CONTROL KNOB
88	04773	1	VALVE GUIDE
89	04783	1	MOTOR CONTROL VALVE
90	04073	1	O-RING *
91	30890	1	ROD SEAL *
92	04755	1	SEAL WASHER
93	04790	1	CUP SEAL *
94	03009	1	ROLL PIN
95	02688	1	HSHCS
96	03047	2	ROLL PIN
97	04754	1	THRUST BACK-UP WASHER
98	04789	1	THRUST WASHER
99	04752	1	DRIVE GEAR
101	00026	2	O-RING *
102	04776	1	TUBE CONNECTOR
103	04796	1	NAME TAG
104	04768	1	WATER VALVE (SK58120 ONLY)
105	03972	1	COUPLER, FEMALE
106	03973	1	COUPLER, MALE
107	30646	1	MOTOR ASSEMBLY SK58110
108	30647	1	MOTOR ASSEMBLY SK58120
109	30648	1	MOTOR ASSEMBLY SK58130
110	30666	1	MOTOR ASSEMBLY SK58310
SK1	04805	1	SEAL KIT (INCLUDES ITEMS 6, 11, 13, 18, 20-21, 26, 28, 37, 38, 40, 41, 44, 45, 51, 73, 79-81, 84, 85, 90, 91, 93, 100 & 101)
KT1	74397	1	FLowsLEEVE KIT (INCLUDES ITEMS 21, 31, 58 & 90)

SK58110 – 1 INCH × 4-1/4 HEX SHANK AIR
 SK58120 – 1 INCH × 4-1/4 HEX SHANK WATER
 SK58130 – 7/8 INCH × 4-1/4 HEX SHANK AIR
 SK58310 – 1 INCH × 4-1/4 HEX SHANK AIR, UNDER-WATER USE

Note: use part number and part name when ordering.

* DENOTES PART OF SEAL KIT P/N 04805

Note: There is a flow sleeve kit available

P/N-74397 that includes:
Item # 21 (Qty-2 04054 O-ring)
Item # 58 (qty-4 04067 push pin)
Item # 31 (qty-1 07889 flow sleeve)
Item # 90 (qty-1 04073 O-ring)
and inst sheet 74398

