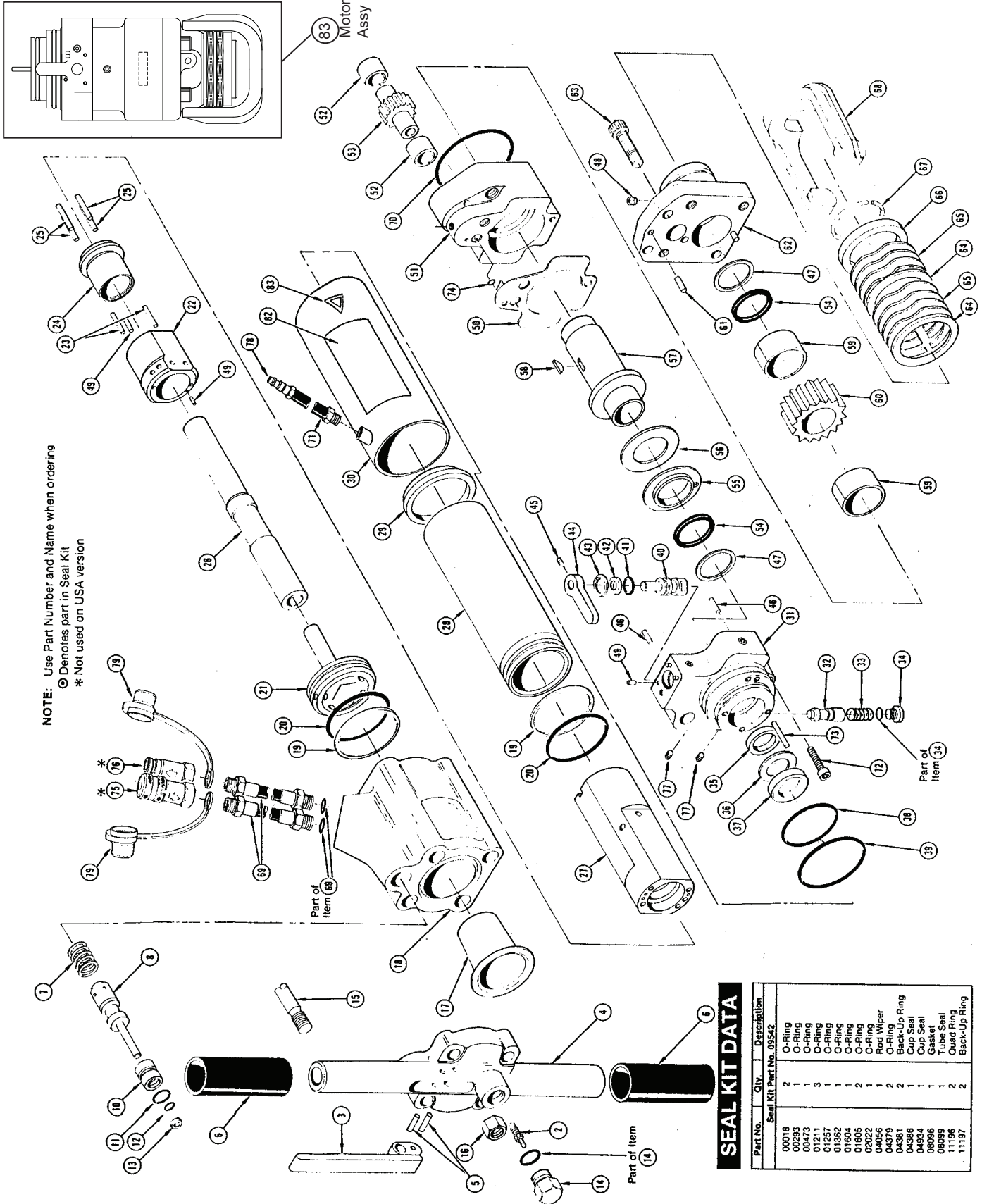


SK47 PARTS ILLUSTRATION



Part No.	Qty.	Description
Seal Kit Part No. 09542		
00018	2	O-Ring
00293	1	O-Ring
00473	1	O-Ring
01211	3	O-Ring
01257	1	O-Ring
01362	1	O-Ring
01604	1	O-Ring
01605	2	O-Ring
02022	1	O-Ring
04056	1	Rod Wiper
04379	1	O-Ring
04385	2	Back-Up Ring
04934	1	Chip Seal
04936	1	Chip Seal
08096	1	Gasket
08099	1	Tube Seal
11196	1	Quad Ring
11197	2	Back-Up Ring

SK47 PARTS LIST

ITEM	PART NO.	QTY	DESCRIPTION
1	07975	1	HANDLE ASSEMBLY (INCLUDES ITEMS 2-5)
2	20499	1	CHARGE VALVE
3	04371	1	TRIGGER
4	07483	1	HANDLE
5	07492	2	SPIROL PIN
6	02494	2	HANDLE GRIP
7	04058	1	SPRING
8	04077	1	VALVE SPOOL – OPEN CENTER – MODEL SK47130
	15188	1	VALVE SPOOL – OPEN, CONSTANTON – MODEL SK47131
9	07699	1	BUSHING ASSEMBLY (INCLUDES ITEMS 10-12)
10	04057	1	BUSHING
11	00293	1	O-RING
12	01362	1	O-RING
13	04056	1	ROD WIPER
14	07493	1	CHARGE VALVE CAP
15	08087	4	SIDE ROD
16	04374	4	LOCK NUT
17	07479	1	ACCUMULATOR DIAPHRAGM
18	11588	1	ACCUMULATOR VALVE BLOCK
19	04381	2	BACK-UP RING
20	04379	2	O-RING
21	08088	1	PORTING BLOCK
22	08089	1	AUTOMATIC VALVE BODY
23	04571	2	PUSH PIN
24	04382	1	AUTOMATIC VALVE
25	04605	4	PUSH PIN
26	08091	1	PISTON
27	08090	1	FLOW SLEEVE
28	04383	1	FLOW SLEEVE TUBE
29	08099	1	TUBE SEAL
30	08100	1	AIR TUBE ASSEMBLY
31	31992	1	DRIVE MOTOR CONTROL BLOCK ASSEMBLY
	16446	1	DRIVE MOTOR CONTROL BLOCK ASSEMBLY W/O DELAY VALVE
32	08097	1	VALVE SPOOL
33	08098	1	SPRING
34	08104	1	O-RING PLUG
35	04934	1	CUP SEAL
36	04780	1	WASHER
37	04386	1	CUP SEAL
38	02022	1	O-RING
39	00473	1	O-RING

ITEM	PART NO.	QTY	DESCRIPTION
40	04937	1	MOTOR CONTROL VALVE
41	01211	3	O-RING
42	04938	1	WASHER
43	04940	1	RETAINING RING
44	04939	1	LEVER
45	01607	1	SETSCREW
46	01749	2	ROLL PIN
47	11197	2	BACK-UP RING
48	00783	1	PIPE PLUG
49	02900	5	ROLL PIN
50	08096	1	GASKET
51	08095	1	MOTOR CHAMBER
52	03826	2	BEARING
53	04033	1	IDLE GEAR
54	11196	2	QUAD RING
55	04949	1	THRUST BACK-UP WASHER
56	04948	1	THRUST WASHER
57	08094	1	DRIVE HEX
58	04787	1	KEY
59	04947	2	BEARING
60	05975	1	DRIVE GEAR
61	00713	2	DOWEL PIN
62	08093	1	MOTOR PLATE
63	00682	2	CAPSCREW
64	04756	2	LATCH WASHER
65	07063	8	WAVE SPRING
66	04759	1	BACK-UP SPRING
67	04761	1	RETAINING RING
68	16445	1	LATCH
69	01652	2	HOSE ASSY
70	01257	1	O-RING
71	04801	1	HOSE ASSY
72	00769	1	CAPSCREW
73	00114	1	ROLL PIN
74	00018	2	O-RING
75	03972	1	FEMALE COUPLER
76	03973	1	MALE COUPLER
77	18643	4	SETSCREW
82	08103	1	NAME TAG
83	30645	1	MOTOR ASSEMBLY
SK1	09542	1	SEAL KIT (INCLUDES ITEMS 11-13, 19, 20, 29, 35, 37-39, 41, 47, 50, 54, 70 & 74)