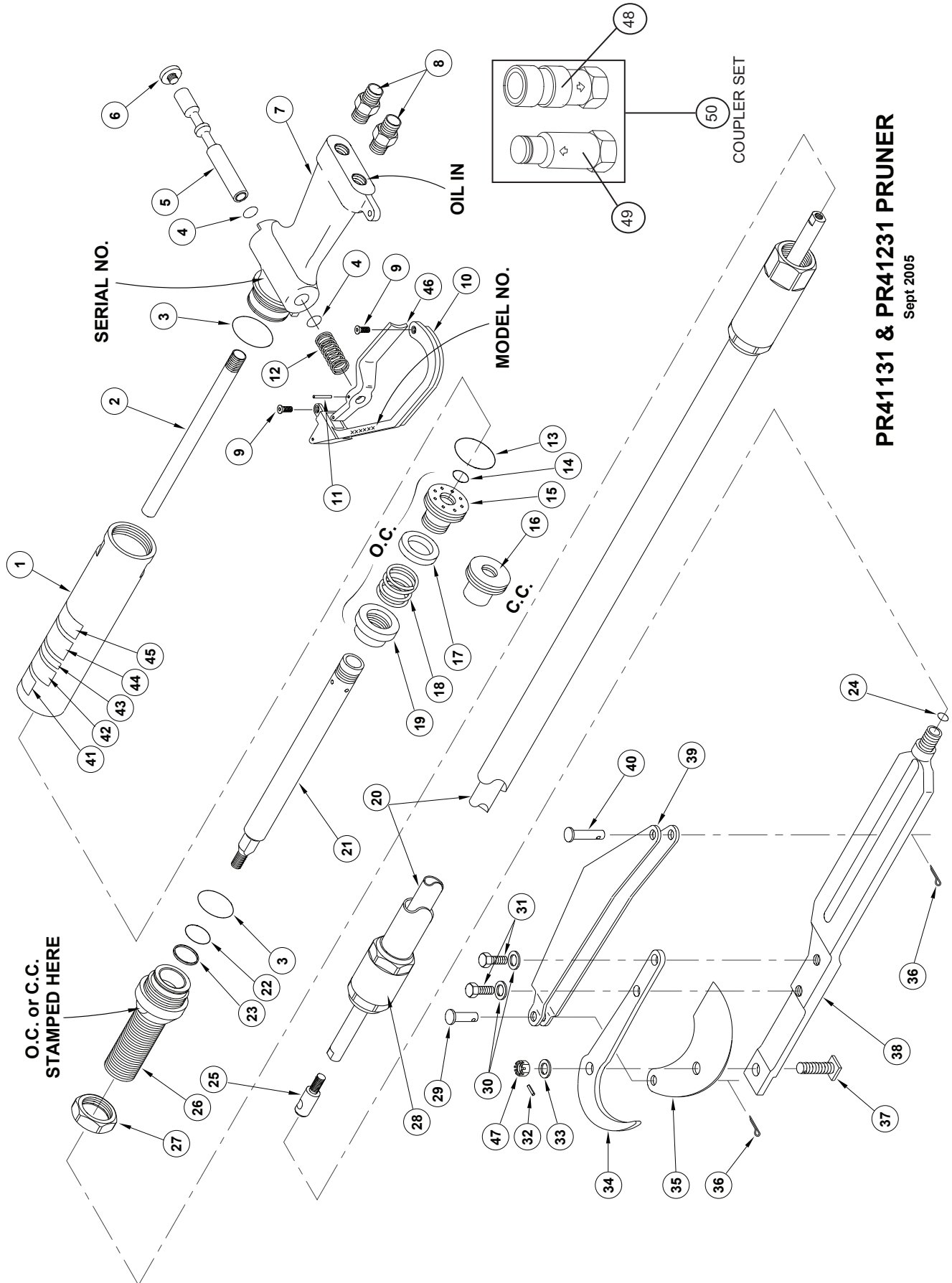


PR41 PARTS ILLUSTRATION



PR41131 & PR41231 PRUNER
Sept 2005

PR41 PARTS LIST

ITEM	PART NO.	QTY	DESCRIPTION
1	28415	1	CYLINDER
2	28416	1	CYLINDER OIL TUBE
3	00252	2	O-RING
4	00175	2	O-RING
5	01809	1	SPOOL
6	01812	1	SPOOL SCREW
7	73650	1	VALVE HANDLE ASSY
8	00936	2	ADAPTOR 1/2 SAE / 3/8 NPT
9	22147	2	CAPSCREW
10	51182	1	TRIGGER GUARD
11	01534	1	ROLL PIN
12	16556	1	SPRING
13	00560	1	O-RING
14	00018	1	O-RING
15	00535	1	PISTON (PR41131, PR4113101)
16	18885	1	PISTON (PR41231 ONLY)
17	00539	1	DISC VALVE (PR41131, PR4113101 ONLY)
18	00552	1	DISC VALVE SPRING (PR41131, PR4113101 ONLY)
19	00534	1	PISTON NUT (PR41131, PR4113101)
20	36133	1	INTERNAL TUBE ASSY
21	36128	1	PISTON ROD
22	00574	1	O-RING
23	01815	1	BACK-UP RING
24	01211	1	O-RING
25	08248	1	SLIDE LINK BOLT
26	28418	1	TUBE COUPLING
27	28432	1	LOCK NUT
28	36130	1	EXTERNAL TUBE ASSY
29	08249	1	CLEVIS PIN
30	00283	2	LOCK WASHER
31	00569	2	CAPSCREW
32	00757	1	ROLL PIN
33	36237	1	WASHER
34	27747	1	HOOK
35	58649	1	KNIFE
36	03029	2	COTTER PIN
37	36213	1	KNIFE BOLT
38	08246	1	SLIDE HEAD ASSY
39	28401	1	LINK BAR
40	08247	1	CLEVIS PIN
41	—	1	DIELECTRIC TEST STICKER
42	12412	1	WARNING STICKER
43	03783	1	GPM STICKER

ITEM	PART NO.	QTY	DESCRIPTION
44	28502	1	NAME TAG
45	25910	1	NOTICE STICKER
46	51183	1	TRIGGER
47	05268	1	HEX SLOTTED NUT
48	03972	1	FEMALE COUPLER (SUPPLIED W/ PR4113103 ONLY)
49	03973	1	MALE COUPLER (SUPPLIED W/ PR4113103 ONLY)
50	03971	1	COUPLER SET (PR411303 ONLY)
	03693	1	CLOSED CENTER DECAL (PR41231 ONLY)
SK	32473	1	SEAL KIT

Note: Use Part Number and Part Name when ordering.

MODEL DESIGNATIONS

PR41131 Open Center (OC) only

PR41231 Closed Center (CC) only

PR413103 Open Center (OC) only