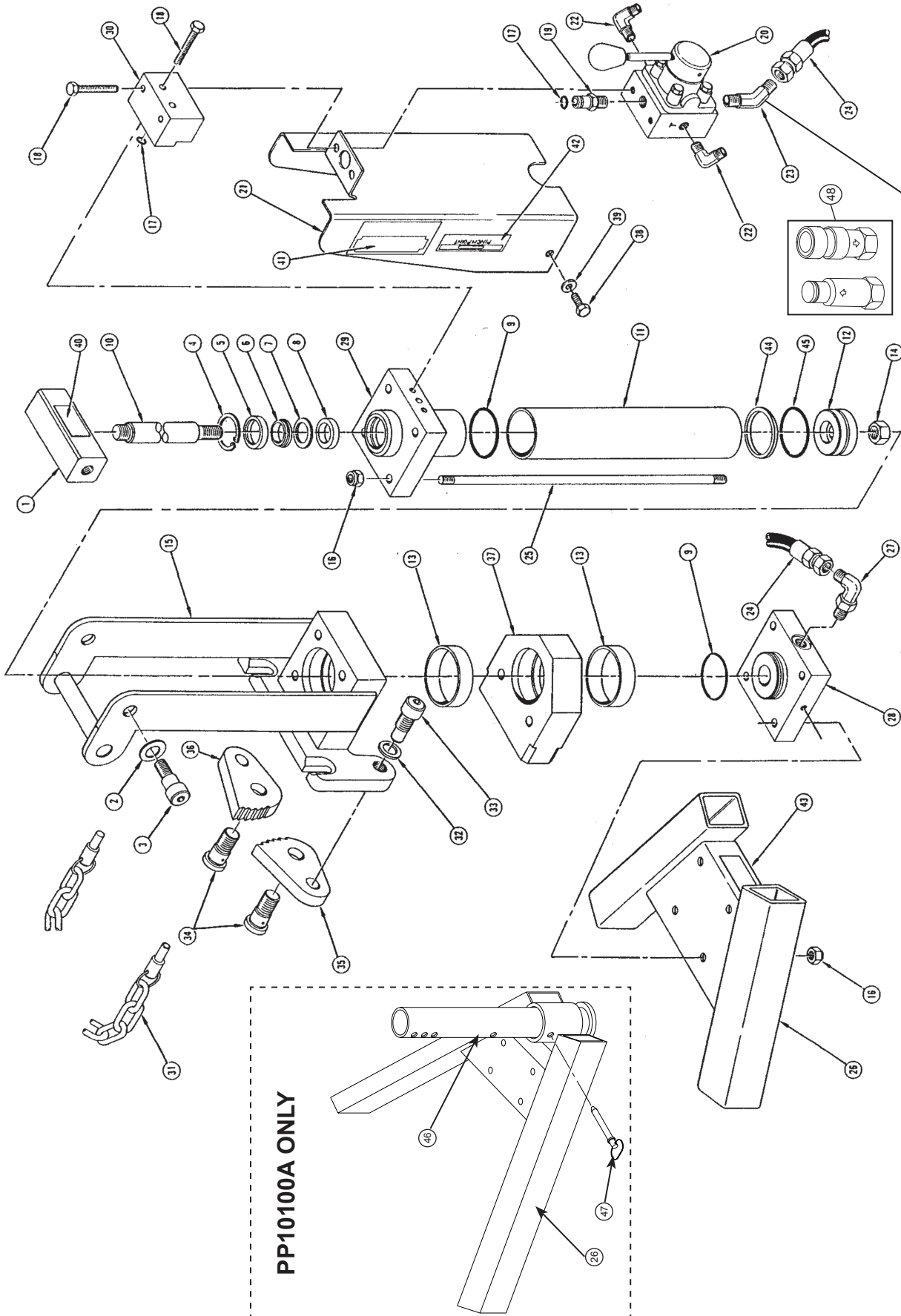


PP10 PARTS ILLUSTRATION



Note: Item # 23 has changed from a 45° elbow to a straight Adapter P/N-00946 in November 2011.

PP10 PARTS LIST

ITEM	PART NO.	QTY	DESCRIPTION
1	17533	1	T-BAR
2	04985	2	SPRING WASHER
3	17553	2	SHOULDER SCREW, 3/4 x 3/4 HEX SOCKET HEAD
4	00166	1	RETAINING RING, 1.850 HEAVY DUTY (INTERNAL)
5	17526	1	SEAL RETAINER
6	03127	1	ROD WIPER *
7	09642	1	WASHER
8	09647	1	ROD SEAL *
9	09790	2	O-RING, 2-1/4 x 2-1/2 x 1/8 *
10	17546	1	PISTON ROD
11	17536	1	CYLINDER
12	17552	1	PISTON
13	17554	2	WEAR RING *
14	04984	1	ELASTIC STOP NUT, 3/4-16 HEX
15	17550	1	LIFT FRAME WELDMENT
16	371500	8	ELASTIC STOP NUT, 1/2-13 HEX
17	01751	2	O-RING 3/8 x 9/16 x 3/32 *
18	06736	4	CAPSCREW, 5/16-18 x 2-1/4 HEX HEAD
19	01752	1	ADAPTER FITTING
20	35518	1	VALVE ASSEMBLY
21	18514	1	GUARD WELDMENT
22	35213	2	SWIVEL, HYDRAULIC INC #956P6-P6
23	00946	1	ADAPTER 3/8 NPT MALE/3/8 TUBE
24	72801	1	HOSE ASSEMBLY (SEE NOTE 1)
25	17537	4	TIE ROD
26	17538	1	BASE WELDMENT
	35134	1	BASE WELDMENT (PP10100A ONLY)
27	01532	1	ELBOW, 90°-6 SAE/-6 TUBE
28	17545	1	CYLINDER BASE
29	17549	1	CYLINDER BEARING
30	17544	1	ADAPTER BLOCK
31	17529	1	CHAIN ASSY (ACCESSORY ITEM)
32	17559	2	WASHER, 7/8 NARROW TYPE B
33	17534	2	MODIFIED CAPSCREW
34	17540	2	SHOULDER SCREW
35	17543	1	JAW, RH (PP10100)
	33452	1	JAW, RH (PP10100A)
36	17542	1	JAW, LH (PP10100)
	33453	1	JAW, LH (PP10100A)
37	17541	1	PIVOT BLOCK
38	00569	2	CAPSCREW, 5/16-18 x 1 HEX HD
39	03031	2	LOCKWASHER, 5/16
40	16599	1	GPM STICKER

ITEM	PART NO.	QTY	DESCRIPTION
41	05152	2	STANLEY STICKER
42	17572	2	PINCH POINT WARNING STICKER
43	17573	1	NAME TAG
44	19220	1	TFE RING *
45	19221	1	O-RING *
46	35149	1	POST (PP10100A ONLY)
47	35212	1	HITCH PIN ASSY (PP10100A ONLY)
48	03971	1	COUPLER SET
49	72802		HOSE ASSEMBLY SERVICE KIT (INCLUDES ITEMS 23 & 24) SEE NOTE ON PAGE 15.
	35210	1	WARNING DECAL (NOT SHOWN)
	02324	1	CAP & PLUG, 1/2 (PP10100D ONLY)
	03288	1	CAP & PLUG 3/8 (PP10100D ONLY)
SK	19219	1	SEAL KIT (* DENOTES PART IN KIT)

Note 1: If you have an older PP10, built prior to November 2011, and you are replacing item # 24 Hose Assembly you will also need to replace item # 23 Adapter. There is a Hose Assembly Service Kit (P/N-72802) available that includes the Hose Assembly 72801 and adapter 00946. Hose Assembly 17558 is no longer available.