

# GT & HP Power Unit Technical Bulletin

12/2019 Ver. 1

## What has changed?

For all non-diesel models of GT and HP Power Units, a shipping cap will be installed over the breather valve of the hydraulic oil tank.



This shipping cap and attached warning tag must be removed before using the power unit. Failure to remove this cap may cause catastrophic power unit damage.

## CAUTION

Pump damage can occur if action is not taken! Remove the attached shipping cap and tag before using this power unit. Failure to remove the shipping cap could cause catastrophic damage.

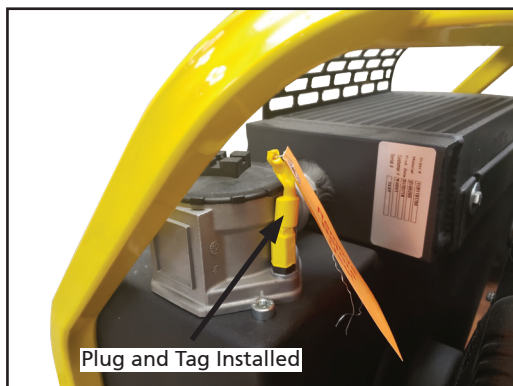
## Why has the change taken place?

During shipping, it is possible for hydraulic oil to escape the hydraulic oil reservoir through the breather valve. In order to eliminate hydraulic oil spillage, STANLEY will install a cap over the breather valve before the power unit is shipped.

## How to Remove the Shipping Cap

1. Unpack the power unit.
2. Locate the shipping cap installed over the breather valve.

Note: The shipping cap will be connected to a large information tag.



3. Grasp the base of the cap, pull it off of the breather valve and discard it.

Note: If your power unit breather valve does not have a cap installed, you may use the power unit normally.



# STANLEY®

# HP8 HYDRAULIC POWER UNIT

(HP8BA, HP8BD, HP8BM)



## USER MANUAL

Safety, Operation and Maintenance



© 2014 STANLEY Black & Decker, Inc.  
New Britain, CT 06053  
U.S.A.  
81116 2/2022 Ver. 8

\*Model HP8 Only

# DECLARATION OF CONFORMITY

DECLARATION OF CONFORMITY  
 ÜBEREINSTIMMUNGS-ERKLÄRUNG  
 DECLARATION DE CONFORMITE CEE  
 DECLARACION DE CONFORMIDAD  
 DICHIARAZIONE DI CONFORMITA



I, the undersigned:  
 Ich, der Unterzeichnende:  
 Je soussigné:  
 El abajo firmante:  
 Io sottoscritto:

**Gunishetty, Shraavan Kumar**

Surname and First names/Familiennamen und Vornamen/Nom et prénom/Nombre y apellido/Cognome e nome

hereby declare that the equipment specified hereunder:  
 bestätige hiermit, daß erklaren Produkt genannten Werk oder Gerät:  
 déclare que l'équipement visé ci-dessous:  
 Por la presente declaro que el equipo se especifica a continuación:  
 Dichiaro che le apparecchiature specificate di seguito:

- Category: **Hydraulic Power Unit**  
 Kategorie:  
 Catégorie:  
 Categoria:  
 Categoría:
- Make/Marke/Marque/Marca/Marca **Stanley**
- Type/Typ/Type/Tipo/Tipo: **GT18B01 Auto Throttle (HP8BA Manual Throttle)  
 GT18B07 Auto Throttle (HP8BBA-ICS Manual Throttle)**
- Serial number of equipment:  
 Seriennummer des Geräts:  
 Numéro de série de l'équipement:  
 Numero de serie del equipo:  
 Matricola dell'attrezzatura: **All**

Has been manufactured in conformity with  
 Wurde hergestellt in Übereinstimmung mit  
 Est fabriqué conformément  
 Ha sido fabricado de acuerdo con  
 E' stata costruita in conformità con

Directive/Standards Richtlinie/Standards Directives/Normes Directriz/Los Normas Direttiva/Norme	No. Nr Numéro No n.	Approved body Prüfung durch Organisme agréé Aprobado Collaudato
EN EN ISO	982:1996+A1:2008 12100:2010	Self Self Self
Noise Directive ISO	2000/14/EC:2005 3744:2010	AkustikNet (Notified body ID 1585) Bagsvard Hovedgade 141, 2880 Bagsvard, Denmark Certificate #863/2016/001 (Verification 2015-08-06) Valid 12-31-2018
Machinery Directive	2006/42/EC:2006	Self

- Special Provisions: **None**  
 Spezielle Bestimmungen:  
 Dispositions particulières:  
 Provisiones especiales:  
 Disposizioni speciali:
- Measurements: **Measured Sound Power Level 99 LwA  
 Guaranteed Sound Power Level 101 LwA**  
 Messungen  
 Mesures  
 Mediciones  
 Misurazioni  
 Measured in accordance to Directive 2000/14/EC,  
 Noise related value: Installed Power 13,25 kW

8. Representative in the Union: **Patrick Vervier, Stanley Dubuis 17-19, rue Jules Berthonneau-BP 3406 41034 Blois Cedex, France.**  
 Vertreter in der Union/Représentant dans l'union/Representante en la Union/Rappresentante presso l'Unione

Done at/Ort/Fait à/Dado en/Fatto a Stanley Hydraulic Tools, Milwaukee, Oregon USA Date/Datum/le/Fecha/Data 1-20-2021

Signature/Unterschrift/Signature/Firma

Position/Position/Fonction/Cargo/Posizione North America Quality Engineer

Test Report #07072016GT18

# TABLE OF CONTENTS

SAFETY SYMBOLS.....	5
SAFETY PRECAUTIONS .....	6
TOOL STICKERS & TAGS .....	7
HOSE TYPES .....	8
HOSE RECOMMENDATIONS.....	9
HTMA / EHTMA REQUIREMENTS .....	10
OPERATION .....	11
MAINTENANCE & TESTING .....	13
TROUBLESHOOTING .....	14
HP8BM MAAS SUPPORT TOOL PACKAGE.....	15
SPECIFICATIONS .....	15
HP8 FRAME PARTS ILLUSTRATION.....	16
HP8 CONTROL PANEL PARTS ILLUSTRATION.....	17
HP8 ENGINE PARTS ILLUSTRATION - FRONT .....	18
HP8 ENGINE PARTS ILLUSTRATION - BACK.....	19
HP8 ENGINE PARTS ILLUSTRATION - BASE .....	20
HOSES, FITTINGS AND CLAMPS.....	21
MAIN WIRING HARNESS.....	22
ELECTRICAL SCHEMATIC .....	23
HOLD DOWN KIT & INSTALLATION .....	24

## IMPORTANT

To fill out a product warranty validation form, and for information on your warranty, visit [www.stanleyinfrastructure.com](http://www.stanleyinfrastructure.com) and select the Company tab > Warranty.

**Note:** The warranty validation record must be submitted to validate the warranty.

**SERVICING:** This manual contains safety, operation and routine maintenance instructions. Servicing of hydraulic tools, other than routine maintenance, must be performed by an authorized and certified dealer. Please read the following warning.

## ⚠ WARNING

**SERIOUS INJURY OR DEATH COULD RESULT FROM THE IMPROPER REPAIR OR SERVICE OF THIS TOOL.**

**REPAIRS AND / OR SERVICE TO THIS TOOL MUST ONLY BE DONE BY AN AUTHORIZED AND CERTIFIED DEALER.**

For the nearest certified dealer, call STANLEY Infrastructure at (503) 659-5660 and ask for a Customer Service Representative.

# SAFETY SYMBOLS

Safety symbols and signal words, as shown below, are used to emphasize all operator, maintenance and repair actions which, if not strictly followed, could result in a life-threatening situation, bodily injury or damage to equipment.



This is the safety alert symbol. It is used to alert you to potential personal injury hazards. Obey all safety messages that follow this symbol to avoid possible injury or death.



This safety alert and signal word indicates an imminently hazardous situation which, if not avoided, will result in death or serious injury.



This safety alert and signal word indicates a potentially hazardous situation which, if not avoided, could result in death or serious injury.



This safety alert and signal word indicates a potentially hazardous situation which, if not avoided, could result in death or serious injury.



This signal word indicates a potentially hazardous situation which, if not avoided, may result in property damage.



This signal word indicates a situation which, if not avoided, will result in damage to the equipment.



This signal word indicates a situation which, if not avoided, may result in damage to the equipment.

Always observe safety symbols. They are included for your safety and for the protection of the tool.

## LOCAL SAFETY REGULATIONS

Enter any local safety regulations here. Keep these instructions in an area accessible to the operator and maintenance personnel.

---

---

---

---

---

---

---

---

---

---

---

---

# SAFETY PRECAUTIONS

Tool operators and maintenance personnel must always comply with the safety precautions given in this manual and on the stickers and tags attached to the equipment.

These safety precautions are given for your safety. Review them carefully before operating the tool and before performing general maintenance or repairs.

Supervising personnel should develop additional precautions relating to the specific work area and local safety regulations. If so, place the added precautions in the space provided.

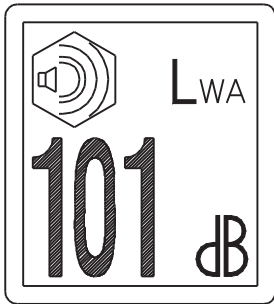
In addition to this manual, read and understand safety and operating instructions in the engine "Operation & Maintenance Instructions" manual furnished with the HP8 power unit.

The HP8 will provide safe and dependable service if operated in accordance with the instructions given in this manual. Read and understand this manual and any stickers and tags attached to the unit. Failure to do so could result in personal injury or equipment damage.

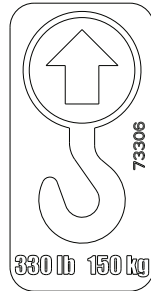


- Do not inspect hoses and fittings for leaks by using bare hands. "Pin-hole" leaks can penetrate the skin.
  - **NEVER OPERATE THE POWER UNIT IN A CLOSED SPACE.** Inhalation of engine exhaust can be fatal.
  - Do not operate a damaged or improperly adjusted power unit.
  - Never wear loose clothing that can become entangled in the working parts of the power unit.
  - Keep all parts of your body away from the working parts of the power unit.
  - Keep clear of hot engine exhaust.
  - Do not add fuel to the power unit while it is running or is still hot.
  - Do not operate the power unit if gasoline odor is present.
  - Do not use flammable solvents around the power unit engine.
  - Do not operate the power unit within 3.3 ft/1 m of buildings, obstructions or flammable objects.
  - Do not reverse tool rotation direction by changing fluid flow direction.
  - Allow power unit engine to cool before storing in an enclosed space.
  - Always keep critical tool markings, such as labels and warning stickers, legible.
  - To avoid personal injury or equipment damage, all tool repair, maintenance and service must only be performed by authorized and properly trained personnel.
- Operator must start in a work area without bystanders. The operator must be familiar with all prohibited work areas such as excessive slopes and dangerous terrain conditions.
  - Establish a training program for all operators to ensure safe operation.
  - Do not operate the power unit unless thoroughly trained or under the supervision of an instructor.
  - Always wear safety equipment such as goggles, ear protection, head protection and safety shoes at all times when operating the power unit.
  - Do not inspect or clean the power unit while it is running. Accidental engagement of the unit can cause serious injury.
  - Always use hoses and fittings rated at 2500 psi/172 bar with a 4-to-1 safety factor. Be sure all hose connections are tight.
  - Be sure all hoses are connected for correct flow direction to and from the tool being used.

# TOOL STICKERS & TAGS



66653 Guaranteed Sound Power Level Decal  
HP8BA Only



73306 Lift Point Decal  
HP8BA  
HP8BM



28322 CE Decal  
HP8BA Only



88423 Address Decal  
HP8BA Only



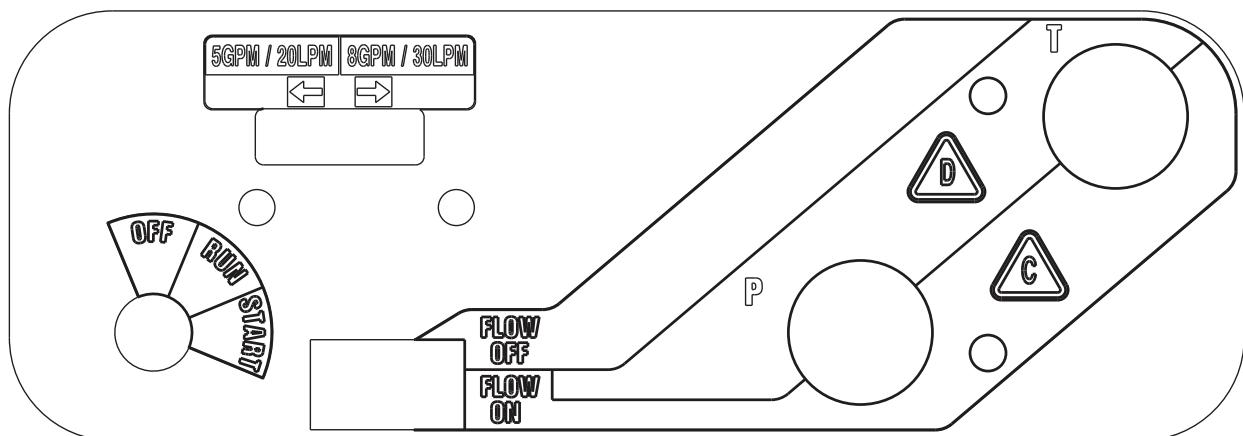
24053 High Temperature Warning Sticker  
HP8BM



88344 Address Decal  
HP8BA Only



74759 Power Unit Dash Decal



76760 Single Circuit Decal



# HOSE TYPES

The rated working pressure of the hydraulic hose must be equal to or higher than the relief valve setting on the hydraulic system. There are three types of hydraulic hose that meet this requirement and are authorized for use with STANLEY hydraulic tools. They are:

**Certified non-conductive** — constructed of thermoplastic or synthetic rubber inner tube, synthetic fiber braid reinforcement, and weather resistant thermoplastic or synthetic rubber cover. *Hose labeled **certified non-conductive** is the only hose authorized for use near electrical conductors.*

**Wire-braided** (conductive) — constructed of synthetic rubber inner tube, single or double wire braid reinforcement, and weather resistant synthetic rubber cover. *This hose is **conductive** and must never be used near electrical conductors.*

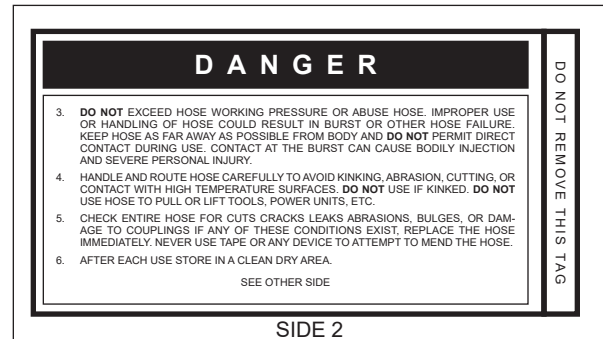
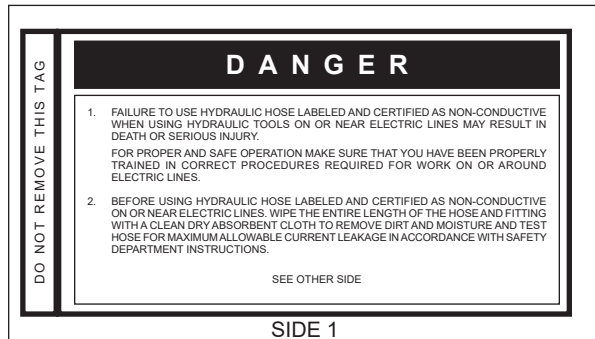
**Fabric-braided** (not certified or labeled non-conductive) — constructed of thermoplastic or synthetic rubber inner tube, synthetic fiber braid reinforcement, and weather resistant thermoplastic or synthetic rubber cover. *This hose is **not certified non-conductive** and must never be used near electrical conductors.*

## HOSE SAFETY TAGS

To help ensure your safety, the following DANGER tags are attached to all hose purchased from STANLEY. DO NOT REMOVE THESE TAGS.

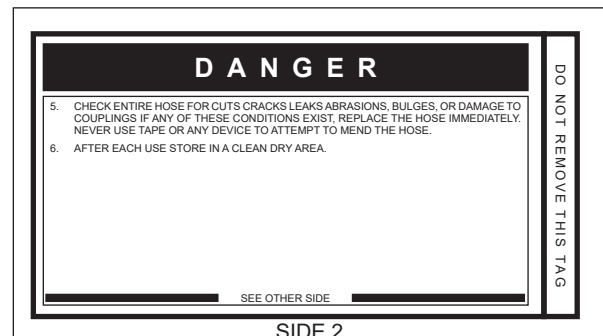
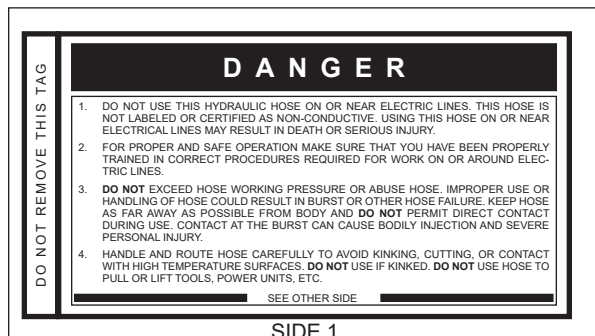
If the information on a tag is illegible because of wear or damage, replace the tag immediately. A new tag may be obtained from your STANLEY Distributor.

### THE TAG SHOWN BELOW IS ATTACHED TO “CERTIFIED NON-CONDUCTIVE” HOSE



(Shown smaller than actual size)

### THE TAG SHOWN BELOW IS ATTACHED TO “CONDUCTIVE” HOSE.



(Shown smaller than actual size)

# HOSERECOMMENDATIONS

## Tool to Hydraulic Circuit Hose Recommendations

The chart to the right shows recommended minimum hose diameters for various hose lengths based on gallons per minute (GPM)/liters per minute (LPM). These recommendations are intended to keep return line pressure (back pressure) to a minimum acceptable level to ensure maximum tool performance.

This chart is intended to be used for hydraulic tool applications only based on STANLEY tool operating requirements and should not be used for any other applications.

All hydraulic hose must have at least a rated minimum working pressure equal to the maximum hydraulic system relief valve setting.

**All hydraulic hose must meet or exceed specifications as set forth by SAE J517.**

Oil Flow		Hose Lengths		Inside Diameter		USE (Press/Return)	Min. Working Pressure	
GPM	LPM	FEET	METERS	INCH	MM		PSI	BAR
<b>Certified Non-Conductive Hose - Fiber Braid - for Utility Bucket Trucks</b>								
4-9	15-34	up to 10	up to 3	3/8	10	Both	2250	155
<b>Conductive Hose - Wire Braid or Fiber Braid - DO NOT USE NEAR ELECTRICAL CONDUCTORS</b>								
4-6	15-23	up to 25	up to 7.5	3/8	10	Both	2500	175
4-6	15-23	26-100	7.5-30	1/2	13	Both	2500	175
5-10.5	19-40	up to 50	up to 15	1/2	13	Both	2500	175
5-10.5	19-40	51-100	15-30	5/8	16	Both	2500	175
5-10.5	19-40	100-300	30-90	5/8	16	Pressure	2500	175
10-13	38-49	up to 50	up to 15	3/4	19	Return	2500	175
10-13	38-49	51-100	15-30	5/8	16	Both	2500	175
10-13	38-49	100-200	30-60	3/4	19	Pressure	2500	175
13-16	49-60	up to 25	up to 8	1	25.4	Return	2500	175
13-16	49-60	26-100	8-30	5/8	16	Pressure	2500	175
				3/4	19	Return	2500	175
				3/4	19	Pressure	2500	175
				1	25.4	Return	2500	175

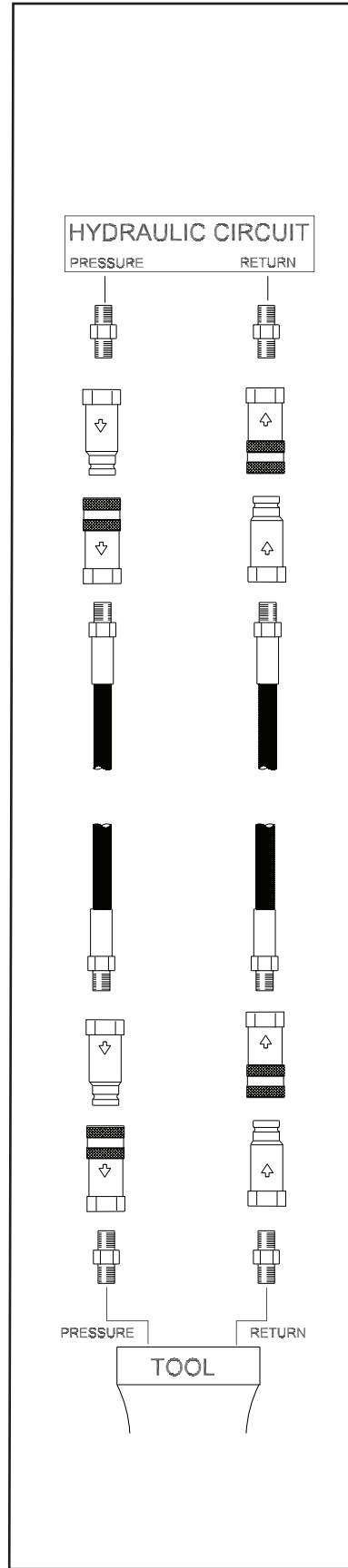


Figure 1. Typical Hose Connections

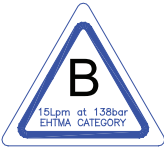




# HTMA/EHTMAREQUIREMENTS

## HTMA / EHTMA REQUIREMENTS

### TOOL TYPE

HTMA HYDRAULIC SYSTEM REQUIREMENTS	TYPE I	TYPE II	TYPE RR	TYPE III
Flow range	4-6 GPM (15-23 LPM)	7-9 GPM (26-34 LPM)	9-10.5 GPM (34-40 LPM)	11-13 GPM (42-49 LPM)
Nominal operating pressure (At the power supply outlet)	1500 psi (103 bar)	1500 psi (103 bar)	1500 psi (103 bar)	1500 psi (103 bar)
System relief valve setting (At the power supply outlet)	2100-2250 psi (145-155 bar)	2100-2250 psi (145-155 bar)	2200-2300 psi (152-159 bar)	2100-2250 psi (145-155 bar)
Maximum back pressure (At tool end of the return hose)	250 psi (17 bar)	250 psi (17 bar)	250 psi (17 bar)	250 psi (17 bar)
Measured at a max fluid viscosity of: (At minimum operating temperature)	400 ssu* (82 centistokes)	400 ssu* (82 centistokes)	400 ssu* (82 centistokes)	400 ssu* (82 centistokes)
Temperature: Sufficient heat rejection capacity to limit maximum fluid temperature to: (At maximum expected ambient temperature)	140° F (60° C)	140° F (60° C)	140° F (60° C)	140° F (60° C)
Minimum cooling capacity at a temperature difference of between ambient and fluid temps	3 hp (2.24 kW) 40° F (22° C)	5 hp (3.73 kW) 40° F (22° C)	6 hp (5.22 kW) 40° F (22° C)	7 hp (4.47 kW) 40° F (22° C)
<b>Note:</b> Do not operate the tool at oil temperatures above 140° F (60° C). Operation at higher temperatures can cause operator discomfort at the tool.				
Filter minimum full-flow filtration Sized for flow of at least: (For cold temp startup and maximum dirt-holding capacity)	25 microns 30 GPM (114 LPM)	25 microns 30 GPM (114 LPM)	25 microns 30 GPM (114 LPM)	25 microns 30 GPM (114 LPM)
Hydraulic fluid, petroleum based (premium grade, anti- wear, non-conductive) Viscosity (at minimum and maximum operating temps)	100-400 ssu (20-82 centistokes)	100-400 ssu (20-82 centistokes)	100-400 ssu (20-82 centistokes)	100-400 ssu (20-82 centistokes)
<b>Note:</b> When choosing hydraulic fluid, the expected oil temperature extremes that will be experienced in service determine the most suitable temperature viscosity characteristics. Hydraulic fluids with a viscosity index over 140 will meet the requirements over a wide range of operating temperatures.				
*SSU = Saybolt Seconds Universal				

### CLASSIFICATION

EHTMA HYDRAULIC SYSTEM REQUIREMENTS					
Flow range	3.5-4.3 GPM (13.5-16.5 LPM)	4.7-5.8 GPM (18-22 LPM)	7.1-8.7 GPM (27-33 LPM)	9.5-11.6 GPM (36-44 LPM)	11.8-14.5 GPM (45-55 LPM)
Nominal operating pressure (At the power supply outlet)	1870 psi (129 bar)	1500 psi (103 bar)	1500 psi (103 bar)	1500 psi (103 bar)	1500 psi (103 bar)
System relief valve setting (At the power supply outlet)	2495 psi (172 bar)	2000 psi (138 bar)	2000 psi (138 bar)	2000 psi (138 bar)	2000 psi (138 bar)

**Note:** These are general hydraulic system requirements. See tool specification page for tool specific requirements.

# OPERATION

## PREPARATION FOR USE

Do not operate HP8 until you have completed the following steps:

### READ THE ENGINE “OPERATING & MAINTENANCE INSTRUCTIONS” MANUAL.

### CHECK ENGINE CRANKCASE OIL LEVEL

Check the oil level before starting the engine. Make sure the oil level is at the FULL MARK on the dipstick. Do not overfill. Use detergent oil classified "For Service SE, SF, SG" as specified in the engine “Operating & Maintenance Instructions” manual. See the “Operating & Maintenance Instructions” manual for oil viscosity grade.

### CHECK ENGINE FUEL LEVEL

If fuel level is low, fill with unleaded gasoline (85 octane minimum).

### CHECK HYDRAULIC FLUID

Ensure there is hydraulic fluid in the hydraulic oil tank. Below is a list of recommended oils.

Brand	Biodegradable	Description
CITGO	No	Hydurance AW32
AMS Oil	No	HVH 32
Exxon Mobil	No	Univis HVI26*
Exxon Mobil	No	DTE 10 Excel
Shell	No	S2 V 32
Chevron	No	Rando HDZ 32
Conoco Phillips	No	Unax AW-WR-32
Clarion (CITGO)	Yes	Green Bio 32
Exxon Mobil	Yes	EAL 224H
Chevron	Yes	Clarity AW32
Terresolve	Yes	Envirologic 132
Shell	Yes	Naturelle HF-E-32

\*Recommended for extreme cold temperatures

## INSTALL HYDRAULIC CONNECTIONS

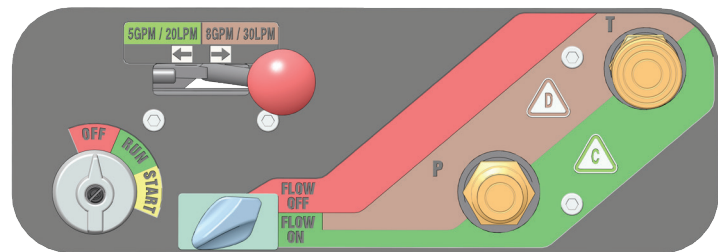
STANLEY recommends you use hose lengths of 25 ft/8 m with 1/2 inch/12.7 mm inside diameter. Hoses must have a working pressure rating of at least 2500 psi/175 bar. Hose ends must have male threads compatible with H.T.M.A.

quick disconnect fittings (NPT).

H.T.M.A. approved quick disconnect couplings are installed to hydraulic hoses so that the direction of oil flow is always from the male to the female coupling. Additional fittings, such as reducers or adapter fittings, are not required.

If adapter fittings are used, they must be approved steel hydraulic fittings meeting a minimum operating pressure rating of 2500 psi/172 bar. Do not use galvanized pipe fittings or black pipe fittings.

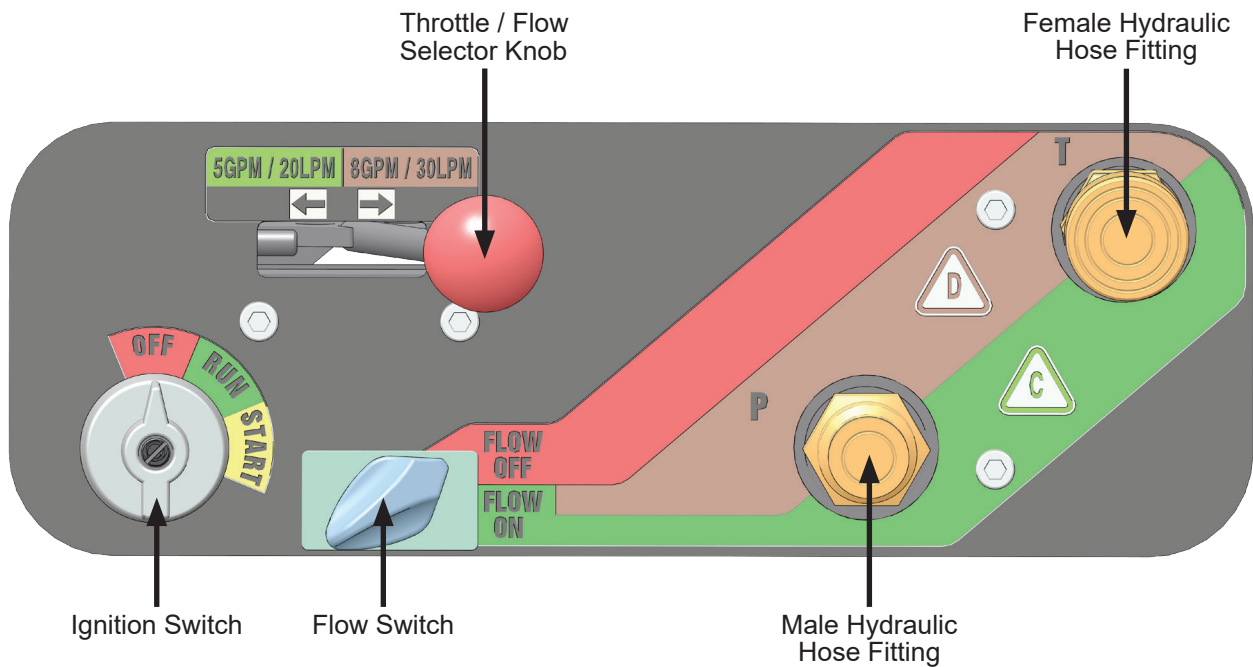
Use thread tape or pipe joint compound when installing quick disconnect couplings to hose or tool fittings. Follow the instructions furnished with the selected thread sealant. **DO NOT OVERTIGHTEN THE FITTINGS.**



Connect the pressure hose to the bottom (male) fitting.

Connect the return hose to the top (female) fitting.

# OPERATION



## CONTROLS

HP8 can provide one 5 GPM/19 LPM circuit (up to 2000 psi/140 bar) or one 8 GPM/30 LPM circuit (up to 2000 psi/140 bar).

## STARTUP

1. Toggle the flow switch to the “FLOW OFF” position.

**Note: HP8 will not start unless the Flow Switch is in the “FLOW OFF” position.**

2. Pull the choke knob out
3. Select the desired flow using the Flow Selector Knob.
4. Turn the Ignition Switch to the “START” position. After the engine starts, release the switch.
5. Gradually push in the choke knob as the engine begins to idle smoothly.
6. Allow the engine to warm up.
7. Connect the hoses and tool to the hose fittings.
8. Toggle the flow switch to the “FLOW ON” position.

## CHANGING CIRCUIT FLOW

1. Toggle the flow switch to the “FLOW OFF” position.
2. Select the desired circuit flow using the Flow Selector Knob.
3. Toggle the flow switch to the “FLOW ON” position.

## SHUTDOWN

1. Toggle the flow switch to the “FLOW OFF” position.
2. Allow the engine to idle at the 5 GPM/20 LPM flow setting for approximately one minute.
3. Turn the Ignition Switch to the “OFF” position.

## COLD WEATHER STARTUP

Hydraulic fluid becomes thicker in cold weather. STANLEY recommends that the engine be run at a low idle (5 GMP/20 LPM setting) long enough to bring the fluid temperature up to a minimum of 50°F/10°C. Allow the hydraulic fluid to circulate through the tool hoses until they are warm.

Once the hydraulic oil is warm, you may operate the HP8 as normal.

# MAINTENANCE & TESTING

## ENGINE MAINTENANCE SCHEDULE

Follow the maintenance instructions provided in the engine "Operating & Maintenance Instructions" manual.

## HYDRAULIC SYSTEM MAINTENANCE

- Check hydraulic fluid level daily and fill, if needed.
- Check hydraulic lines and fittings daily for leaks, kinks or damage. Do not use your hand to perform this check.
- Remove condensed moisture from the hydraulic fluid:
  1. Set the flow selector to 5 GPM/20 LPM.
  2. Start the engine and pump the fluid, out of the male hydraulic hose fitting, into a 5 gal. container.
  3. When hydraulic tank is empty, turn the ignition switch to the "OFF" position.
  4. Let the water settle to the bottom of the container.
  5. Pour the hydraulic fluid back into the tank, being careful to not disturb the water sitting at the bottom of the container.
- Change the hydraulic filter every 200 hours of operation. Change more often if used in cold, moist or dusty conditions.
- Check the oil cooler. Remove debris with air pressure.

## BATTERY

- Do not charge the battery with an automotive battery charger. Charging at higher than 2 amps will damage the battery.
- If the engine stalls during operation, set the ignition switch to the "OFF" position to preserve battery charge.

## STORAGE

- Clean the unit thoroughly. Do not pressure wash.
- Always store the unit in a clean and dry location.
- If storing for over 30 days, add an additive to the fuel tank to prevent the fuel from gumming. Run the engine to circulate the additive.

- Replace crankcase oil.

## GENERAL

Tests should be performed periodically to ensure HP8 is operating at maximum efficiency. STANLEY Circuit Tester (part number 04182) can be used to isolate problems in both the engine and hydraulic system.

## TESTING THE HYDRAULIC CIRCUIT

Test to ensure the hydraulic pump is supplying the correct flow and pressure, and that the system relief valve is operating properly. Before testing, make sure the engine is warm and operating smoothly.

1. Turn the Flow Switch to the "FLOW OFF" position.
2. Set the Flow Selector Knob to the flow you would like to test.
3. Connect the STANLEY Circuit Tester to the tool hoses.
4. Fully open the tester restrictor valve (counterclockwise).
5. Start the engine.
6. The test flow gauge should read +/- 1 GPM of the selected flow.
7. Slowly turn the restrictor valve clockwise while watching the pressure gauge. The flow rate should not change as the pressure reaches 2100-2200 psi/148-155 bar.
8. At 2100-2200 psi/148-155 bar, the relief valve should begin to open. The flow rate should start to drop because the relief valve is allowing fluid to bypass to the hydraulic fluid tank. The relief valve is preset at the factory. If it does not open within the above range, the relief valve must be reset as follows:
  - a. The relief valve is located on the right side of the unit, behind the dash panel. Use a wrench to loosen the nut on the relief valve.
  - b. Use an Allen wrench to adjust the relief valve. Turn clockwise to raise the opening pressure, and counterclockwise to reduce the opening pressure.
  - c. Tighten the nut and repeat the test.

# TROUBLESHOOTING

Problem	Cause	Remedy
Engine will not start.	Flow Switch is not in the "FLOW OFF" position.	Make sure the Flow Switch is in the "FLOW OFF" position before attempting to start the power unit.
	Battery is not connected.	Check the battery cables for continuity and re-attach to the battery.
	Weak battery charge.	Test the battery voltage and charge if necessary. If the battery will not hold a charge, replace.
	No Fuel.	Ensure the power unit is cool, then add fuel.
	Fuel filter is plugged.	Replace the fuel filter.
	Defective spark plugs.	Remove the spark plugs and check the gap. Replace if necessary.
Hydraulic fluid is blowing out of the fluid reservoir vent.	Hydraulic fluid tank is overfilled.	Remove hydraulic fluid from the hydraulic oil tank.
	Hydraulic pump is leaking.	Check the pump connections.
The hydraulic tool connected to the power unit will not operate.	The Flow Selector Knob is not in the proper position for the connected tool.	Ensure that the Flow Selector Knob is positioned for the correct fluid flow for your tool.
	The tool is not properly connected to the power unit.	Check the connection hoses from the power unit to the tool. Ensure the pressure and the return hoses are in the proper ports on the tool.
	The quick disconnect fittings are defective.	Disconnect the fittings from the hose and ensure there is free flow from each end of the fittings.
	The hydraulic fluid level in the reservoir is too low.	Check the fluid level in the hydraulic fluid tank. Add more fluid if necessary.
	The pump coupling is defective.	Power down the unit and check the coupling between the hydraulic pump and the engine.
	The relief valve is stuck open.	Adjust the valve or replace if necessary
	Suction hoses are kinked.	Visually check the suction hose for a kink. The hose should have a smooth curve.
	The solenoid is not working.	Check electrical connections to the solenoid. Replace if necessary.
	The attached tool is defective.	Refer to the tool manual.

# SPECIFICATIONS

Engine: .....	18 hp Briggs
Capacity.....	One 5 GPM/19 LPM Circuit or One 8 GPM/30 LPM Circuit
Length:.....	36 in. / 91.4 cm
Width: .....	23 in. / 58.4 cm
Height: .....	29.5 in. / 74.9 cm
Weight (Wet): Single Circuit Briggs .....	330 lbs / 149.6 kg
Fuel Tank Capacity: .....	5.5 gal. / 20.8 ltr
Estimated Gas Consumption Per Hour .....	1.3 gal / 4 ltr
Hydraulic Reservoir Capacity: .....	3 gal. / 11 ltr
Relief Valve setting .....	2100 psi / 145 bar
Max relief setting .....	2500 psi / 172 bar

HTMA/EHTMA Category ..... Type 1 and 2



Nominal Pressure .....	1500 psi/103 bar
Max Pressure .....	2000 psi/138 bar
Guaranteed Sound Power Level .....	101 dBA
Measured Sound Power Level .....	99 dBA
Vibration Level.....	N/A

**POWER UNITS, TRACHORSE & GAS/FUEL DRIVEN EQUIPMENT: A1.** Federal Emission Component Compliance 40CFR part 1060.120 STANLEY warrants all fuel system emission components for 2 years from the date of original purchase provided there has been no abuse, neglect, modifications or improper maintenance.

**Components Covered:** The emission-related warranty covers all components whose failure would increase the evaporative emissions. Your emission-related warranty does not cover components whose failure would not increase evaporative emissions. Coverage under this warranty extends only to the following parts; fuel tank, fuel cap, fuel hose and vapor hose from the fuel tank to the engine and any connectors that are apart of the fuel system.

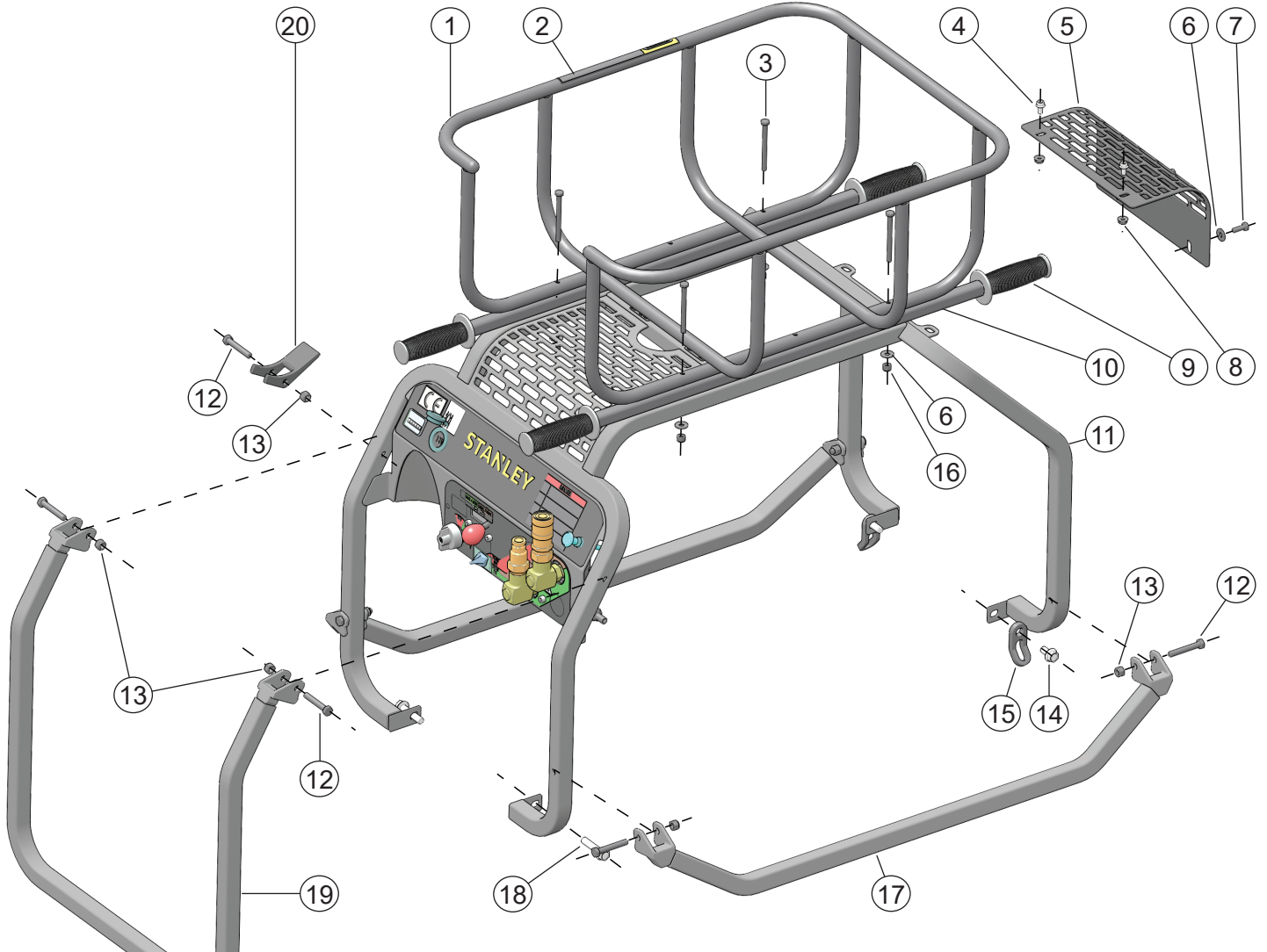
The equipment is designed, built, and equipped so it conforms at the time of sale to the ultimate purchaser and each subsequent purchaser and is in compliance with 40 C.F.R. 1060.120 standards. The equipment is free from defects in materials and workmanship that may keep it from meeting these requirements.

## HP8BM MAAS SUPPORT TOOL PACKAGE

Model.....	NSN
HP8BM Gas Hydraulic Power Unit.....	4320-01-450-3557
HP18289M Diesel Hydraulic Power Unit.....	2510-01-533-2471
PP10100A Post Puller .....	1710-01-468-8024
PD48142 Post Driver.....	1710-01-468-8021
31848 Hose Set .....	4720-01-361-3662
BR6713016 Pavement Breaker.....	3820-01-242-1440
HD45110D Hammer Drill .....	5130-01-178-6338



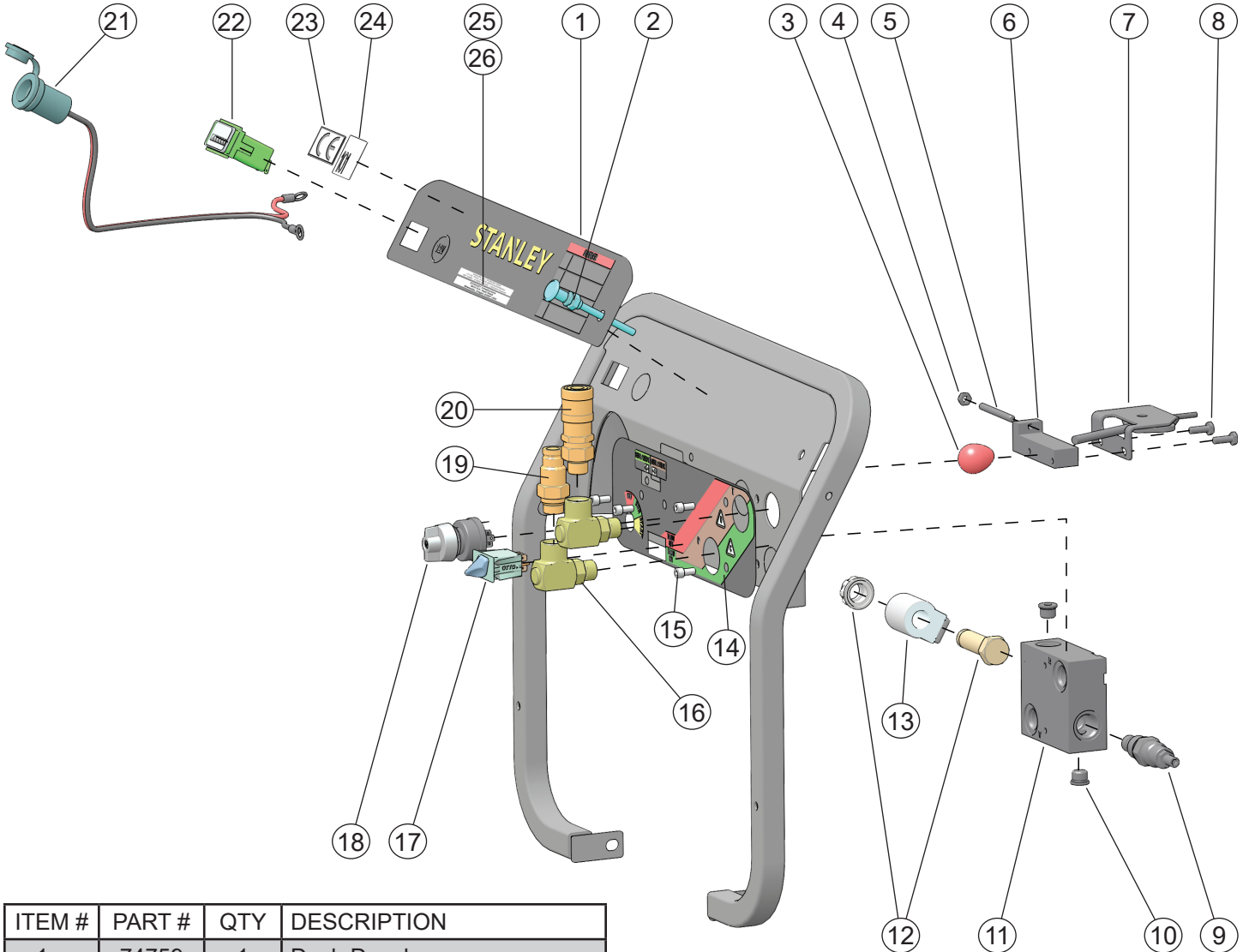
# HP8 FRAME PARTS ILLUSTRATION



ITEM #	PART #	QTY	DESCRIPTION
1.	10939	1	Hose Basket (HP8BM)
2.	24053	1	High Temp. Decal (HP8BM)
3.	66752	4	Capscrew (HP8BM)
4.	59074	2	Flange Bolt
5.	59079	1	Cooler Guard
6.	60945	6	Washer
7.	15476	2	Capscrew - Use if hydraulic oil tank was manufactured <b>BEFORE</b> 1/1/2021.
	14903	2	Capscrew - Use if power unit or hydraulic oil tank was manufactured <b>AFTER</b> 1/1/2021
8.	59095	2	Flange Nut
9.	08080	4	Handle Grip (HP8BM)
10.	66707	2	Carry Handle (HP8BM)

ITEM #	PART #	QTY	DESCRIPTION
11.	76755	1	Frame Weldment
	76712	1	Frame Weldment (HP8BM)
12.	370502	7	Capscrew
13.	03906	7	Nut
14.	23530	2	Flange Bolt
	31704	2	Screw (HP8BM)
15.	66708	2	Hold Down Eye (HP8BM)
16.	00719	4	Nut (HP8BM)
17.	62268	2	Lift Handle
	66064	2	Lift Handle (HP8BM)
18.	58976	2	Flange Bolt
19.	62267	1	Rear Lift Handle
	66063	1	Rear Lift Handle (HP8BM)
20.	58916	1	Handle Lock

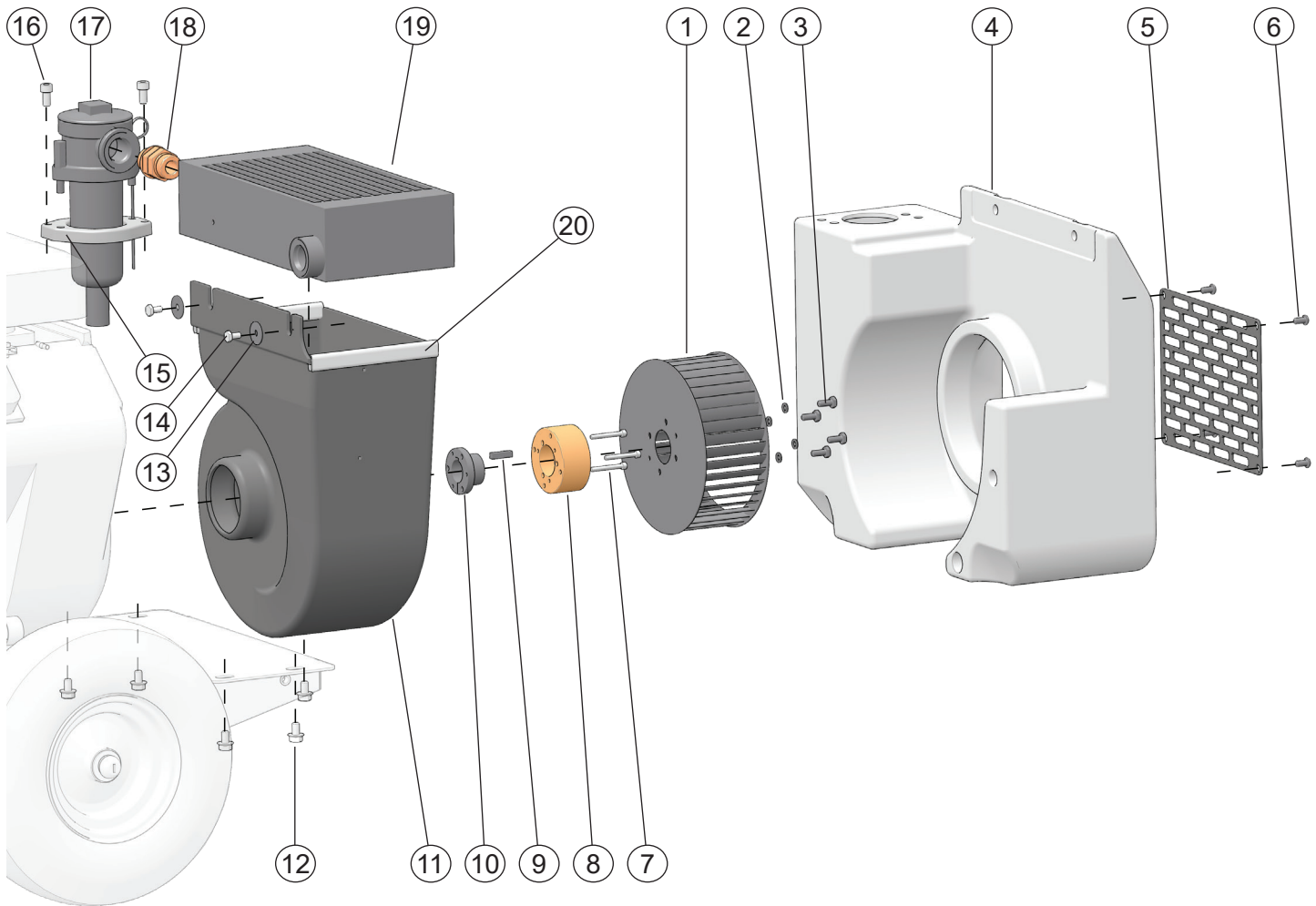
# HP8 CONTROL PANEL PARTS ILLUSTRATION



ITEM #	PART #	QTY	DESCRIPTION
1.	74759	1	Dash Decal
2.	62298	1	Choke Cable
3.	204332	1	Throttle Knob
4.	17134	1	Nut
5.	76758	1	Throttle Rod
6.	76757	1	Throttle Stop
7.	208887	1	Throttle Assembly and Cable
8.	15476	2	Capscrew
9.	59131	1	Relief Valve
10.	08104	2	O-ring Boss Plug
11.	76711	1	Manifold
	76722		Manifold Assembly (Includes parts 9-13)
12.	60959	1	Directional Valve and Cap
13.	60958	1	Solenoid Coil
14.	76760	1	Single Circuit Decal

ITEM #	PART #	QTY	DESCRIPTION
15.	60962	4	Capscrew
16.	58631	2	Swivel (HP8BM)
17.	60955	1	2 Position Rotary Switch
18.	67899	1	3 Position Rotary Switch
19.	58857	1	3/8in. Male Coupler, -8 SAE
20.	58856	1	3/8in. Female Coupler, -8 SAE
21.	64942	1	12V Receptacle Assembly (HP8BM, HP8BD)
22.	60946	1	Hour Meter
23.	28322	1	CE Decal (HP8BA)
24.	66653	1	Sound Power Decal (HP8BA)
25.	88344	1	Address Label (HP8BA)
26.	88423	1	Address Label (HP8BA)
27.	76710	1	Wire Harness (see page 22)

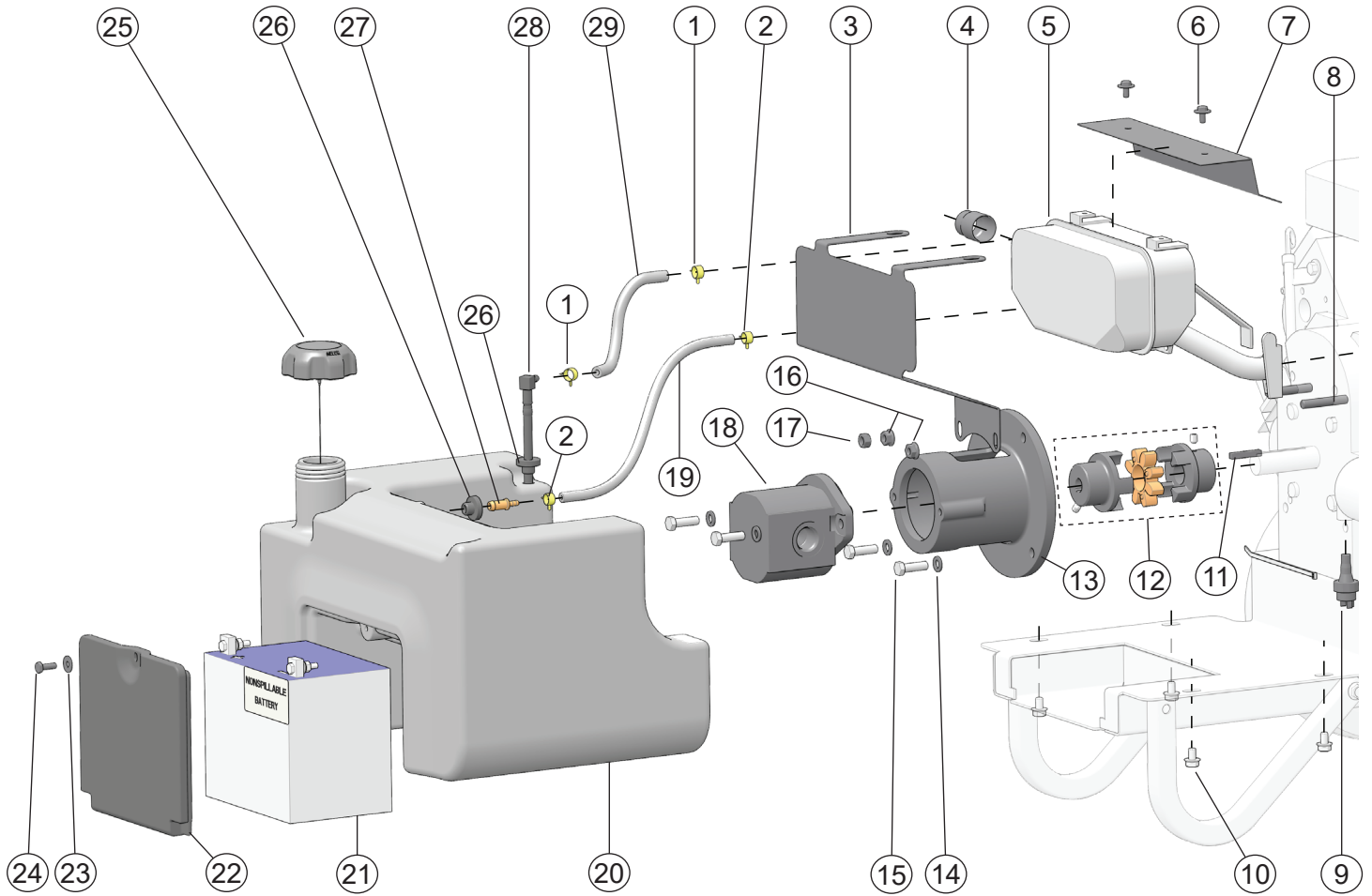
# HP8 ENGINE PARTS ILLUSTRATION - FRONT



ITEM #	PART #	QTY	DESCRIPTION
1.	62303	1	Blower Wheel
2.	80984	4	Lock Washer
3.	80986	4	Hex Head Capscrew
4.	59077	1	Hydraulic Oil Tank
5.	59080	1	Front Grille
6.	17821	4	Button Head Capscrew
7.	00111	3	Capscrew
8.	59103	1	Blower Hub
9.	20990	1	Key
10.	59076	1	Bushing
11.	59083	1	Blower Housing
12.	40433	5	Flange Bolt
13.	26831	2	Washer
14.	01213	2	Hex Head Capscrew
15.	64937	1	Grip Plate

ITEM #	PART #	QTY	DESCRIPTION
16.	43687	2	Capscrew
17.	40080	1	Filter Assembly
18.	51292	1	Standard Thread Union
19.	59091	1	Cooler
20.	62296	2	Weather Strip

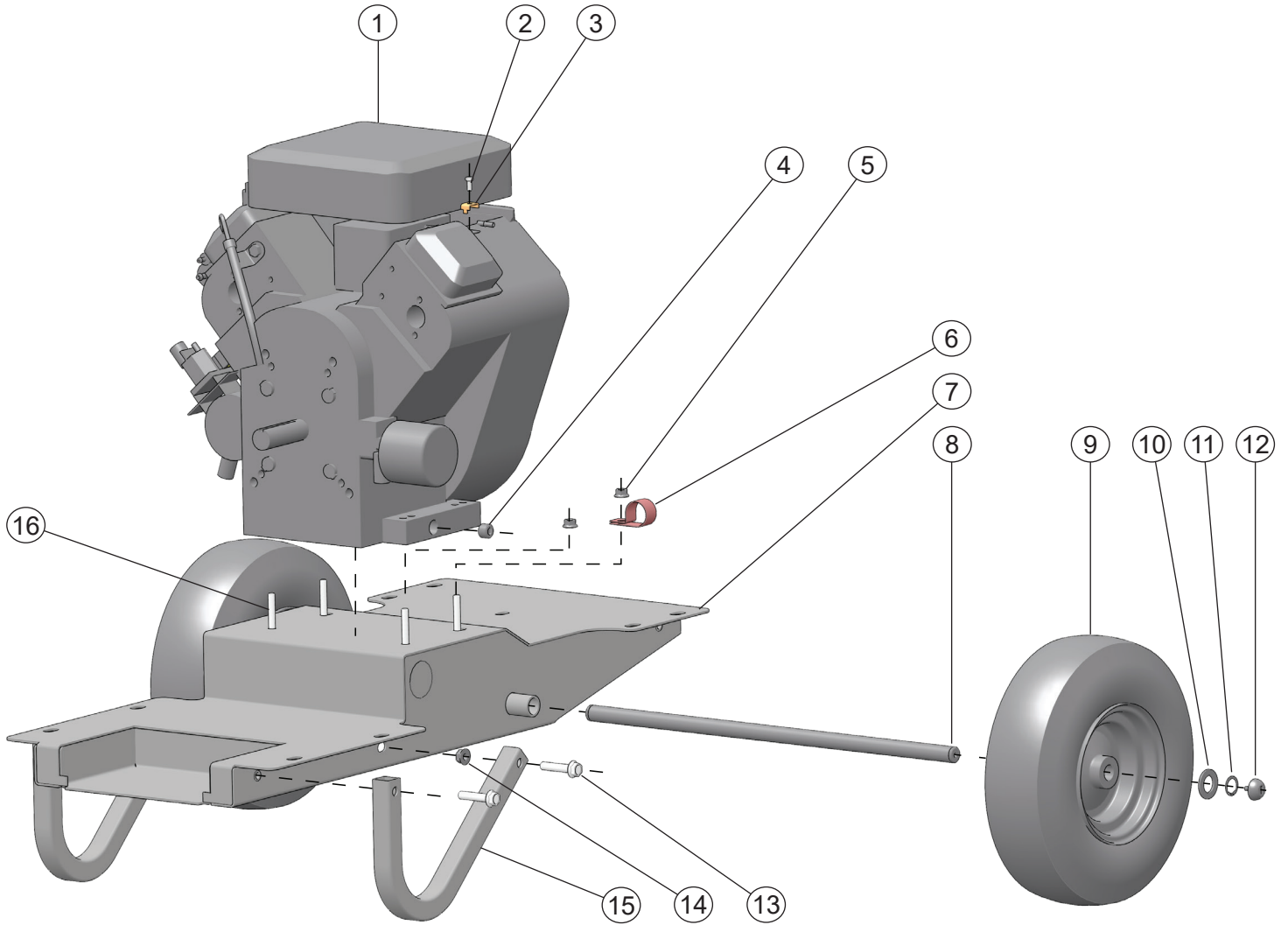
# HP8 ENGINE PARTS ILLUSTRATION - BACK



ITEM #	PART #	QTY	DESCRIPTION
1.	72317	2	Hose Clamp
2.	72451	2	Hose Clamp
3.	62324	1	Heat Shield
4.	65456	1	Spark Arrester
5.	36150	1	Muffler
6.	36152	2	Screw
7.	36151	1	Heat Shield
8.	62385	2	Stud
9.	31765	1	Pressure Switch
10.	40433	4	Flange Bolt
11.	07819	1	Square Key
12.	56656	1	Coupling
13.	56655	1	Pump Mount
14.	01459	4	Washer
15.	07860	4	Hex Head Capscrew
16.	18893	2	Flange Nut
17.	371503	1	Nut
18.	04134	1	Pump

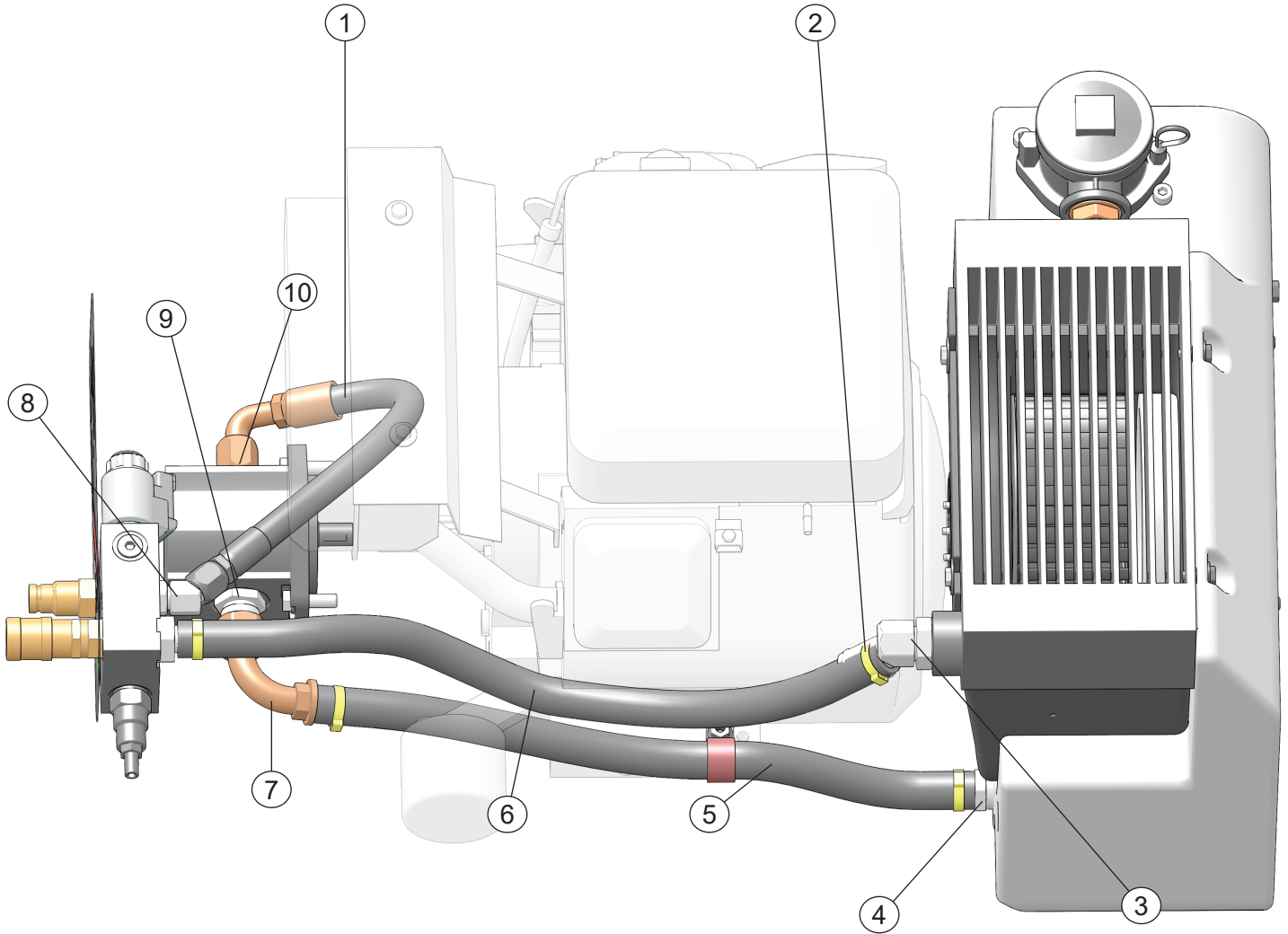
ITEM #	PART #	QTY	DESCRIPTION
19.	72571	1	Fuel Vapor Hose
20.	73050	1	Fuel Tank
21.	04303	1	Battery
22.	60921	1	Battery Cover
23.	60945	1	Washer
24.	15476	1	Hex Head Capscrew
25.	71794	1	Fuel Tank Cap
26.	60920	2	Grommet
27.	72401	1	Grommet Connector
28.	60919	1	Fuel Elbow
29.	62289	1	Fuel Hose

# HP8 ENGINE PARTS ILLUSTRATION - BASE



ITEM #	PART #	QTY	DESCRIPTION
1.	76754	1	Engine
2.	64991	1	Hex Head Capscrew
3.	56709	1	Cable Clamp
4.	01212	1	Pipe Plug
5.	12787	4	Flange Nut
6.	24287	1	Hose Clamp
7.	58897	1	Frame Base Weldment
8.	58917	1	Axle
9.	56633	2	Wheel and Tire
10.	21318	2	Washer
11.	31240	2	Retaining Ring
12.	21714	2	Handle Bumper
13.	58976	4	Flange Bolt
14.	18893	2	Flange Nut
15.	58975	2	Foot
	66721	2	Foot (HP8BM)
16.	58942	4	Flange Bolt

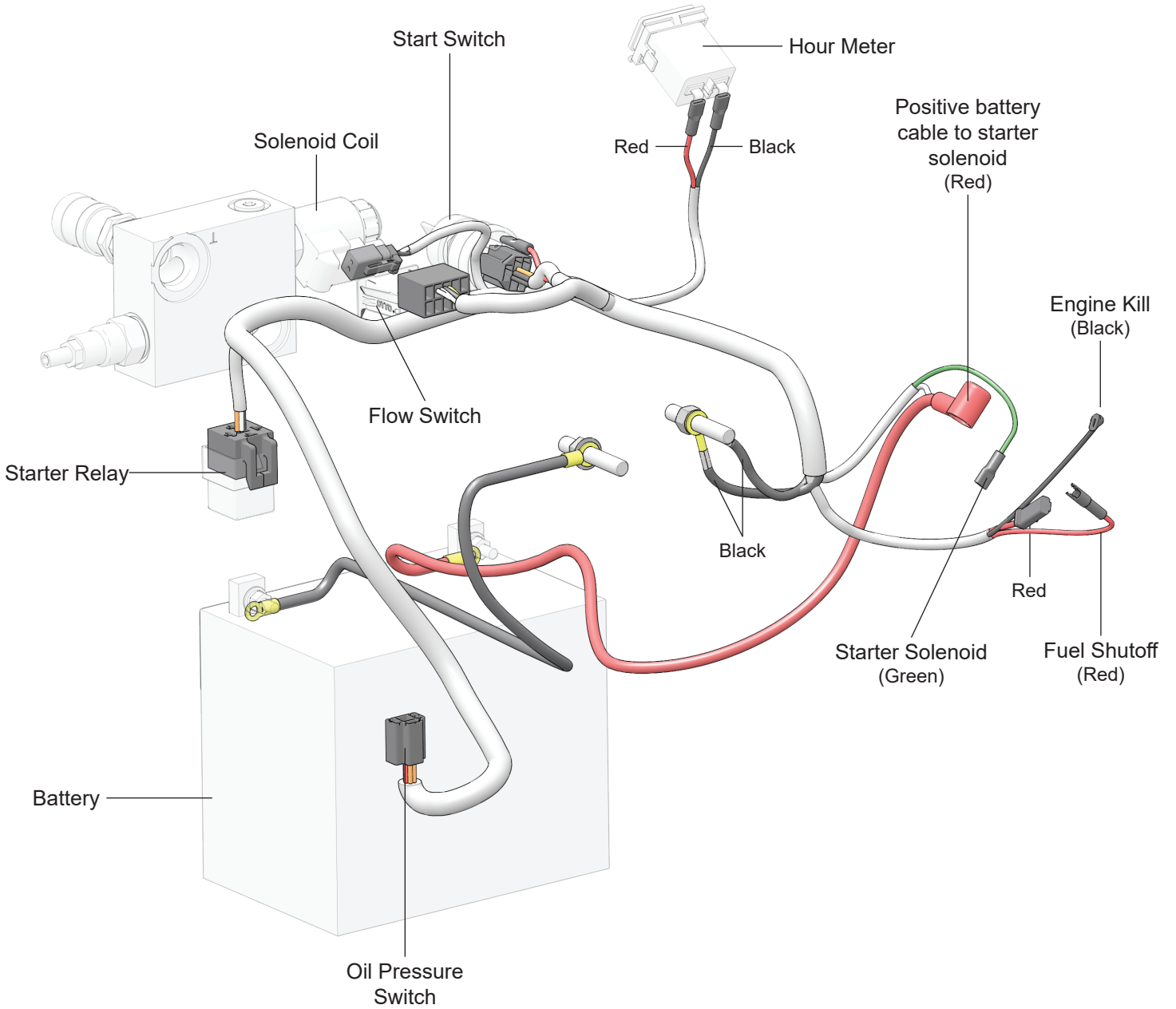
# HOSES, FITTINGS AND CLAMPS



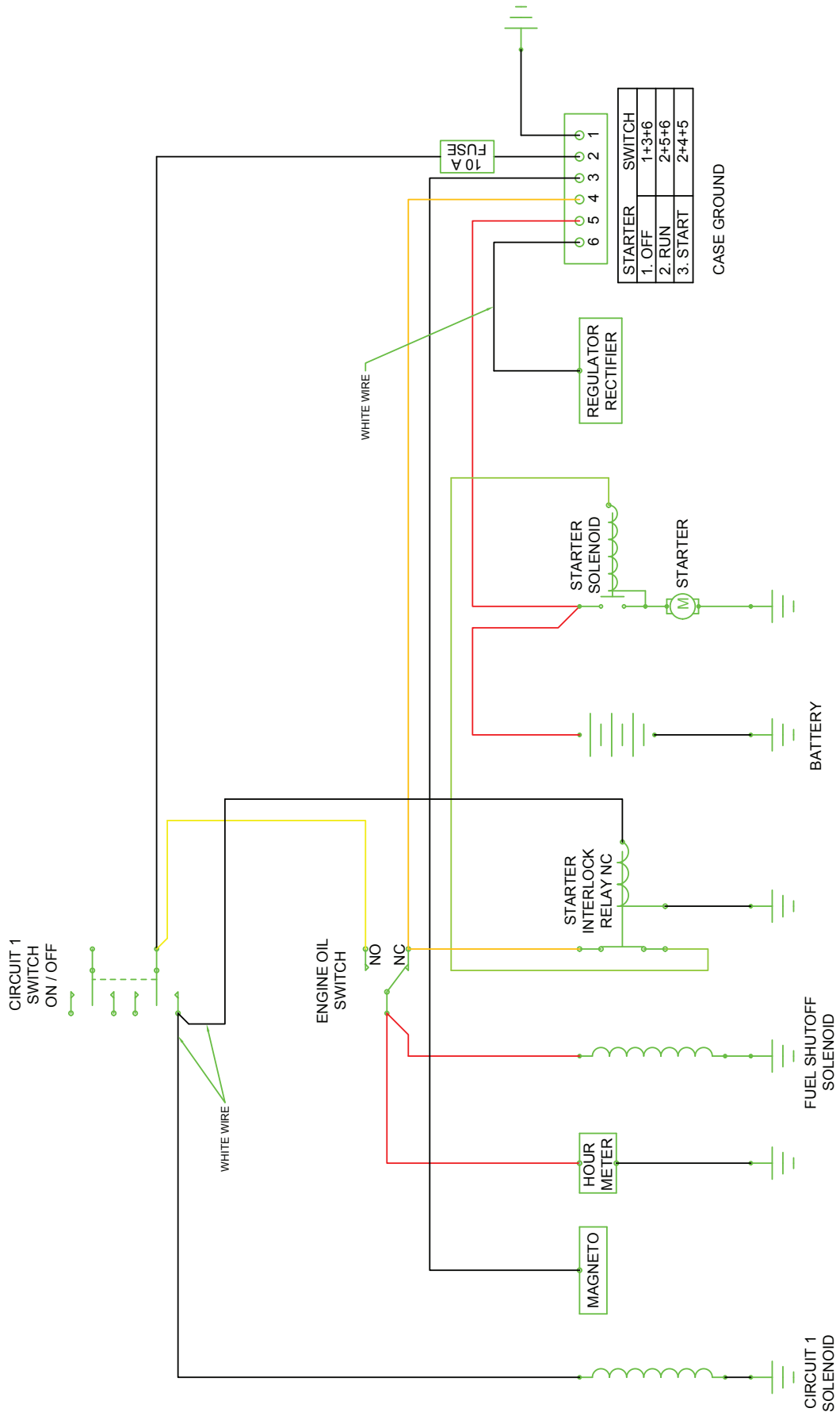
ITEM #	PART #	QTY	DESCRIPTION
1.	58943	1	Hose
2.	62199	4	Hose Clamp
3.	40364	2	45° Elbow Fitting
4.	59105	1	Hose Barb
5.	59089	1	Hose
6.	59088	1	Hose
7.	58569	1	90° Elbow Fitting
8.	350000	1	45° Fitting
9.	02773	1	Adapter
10.	350104	1	Connector

# MAINWIRINGHARNESS

## PART NUMBER 76710



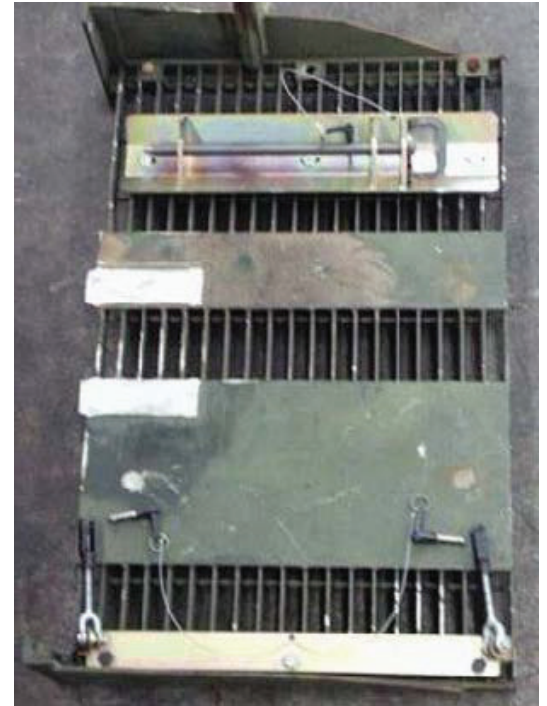
# ELECTRICAL SCHEMATIC





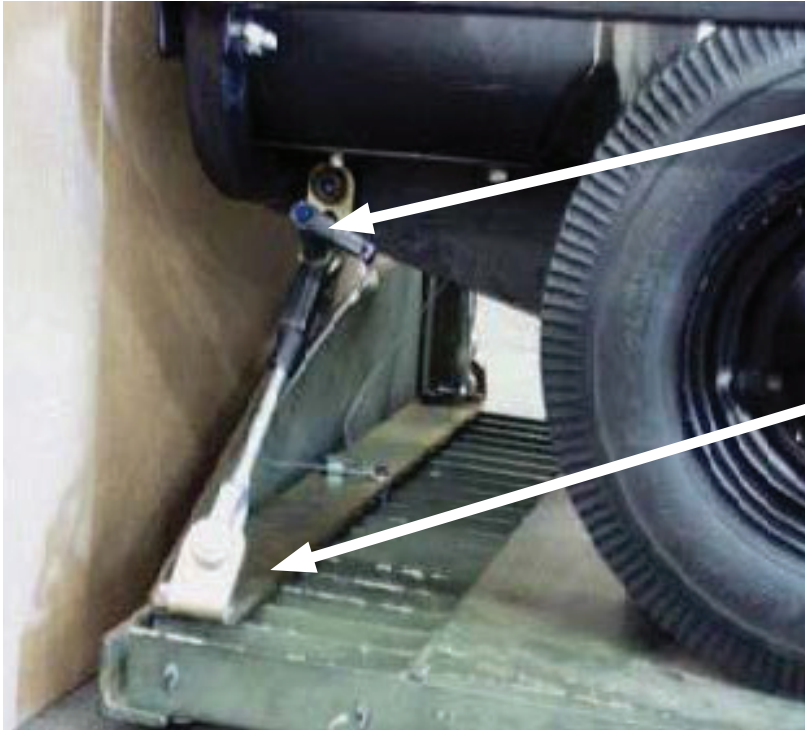
# HOLDDOWNKIT&INSTALLATION

HP8BM ONLY



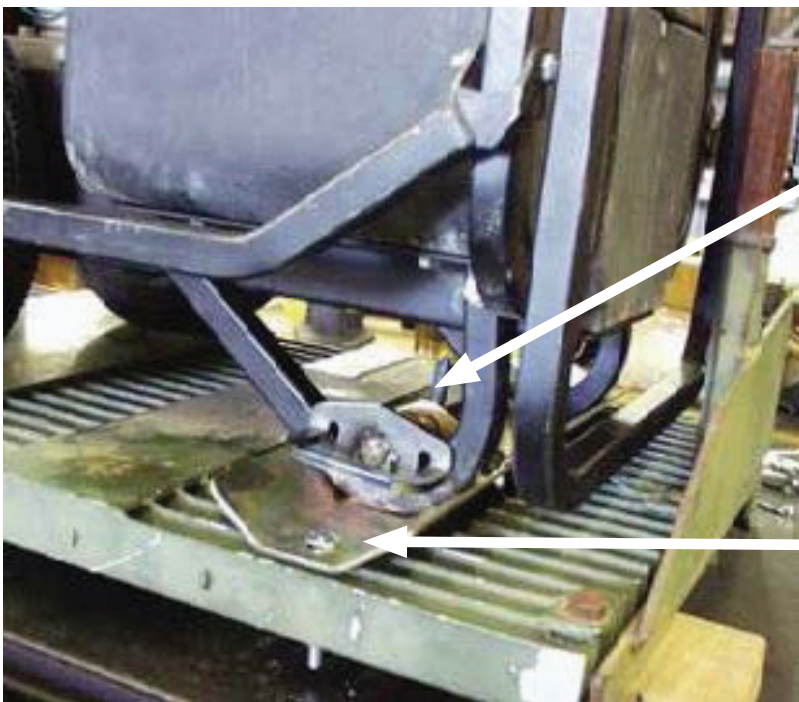
ITEM#	PART #	QTY	DESCRIPTION
	66940	1	Hold Down Kit (Includes Items 2 through 17)
2	04353	3	3/8 Locknut
3	04585	3	3/8 Washer
4	06970	2	Capscrew
5	06971	2	10-24 Locknut
6	66713	1	Hitch Pin
7	66719	1	Hold Down Bracket
8	66755	1	Backup Bar
9	66756	1	Foot Hold Down Weldment
10	66933	3	Carriage Bolt
11	66934	3	Lanyard
12	66935	2	Quick Release Pin, 3/8 x 1
13	66936	1	Quick Release Pin
14	66937	2	Yoke
15	66939	2	Yoke, Male
16	370254	3	Capscrew, 1/2-13 x 3
17	371500	3	Locknut, 1/2-13

## HOLDDOWNKIT & INSTALLATION



Quick release pin inserted through yoke and eye.

Tie down bracket bolted through original grating bolt holes.



Hitch pin to retain feet of power unit. Quick release pin can be inserted in mid position as shown or at the end of hitch pin.

Foot hold down weldment bolted through grating with backup bar under grating.

To install the power unit facing the opposite direction, rotate the grating on the MAAS Trailer 180°.



# **STANLEY®**

STANLEY Infrastructure  
6430 SE Lake Road  
Portland, Oregon 97222 USA  
(503) 659-5660 / Fax (503) 652-1780  
[www.stanleyinfrastructure.com](http://www.stanleyinfrastructure.com)