



SPECIFICATIONS

Engine:23 hp Briggs
 Capacity..... One 8 GPM/30 LPM Circuit, One 10 GPM/40 LPM or One 12 GPM/50 LPM Circuit
 Length:..... 36 in. / 91.4 cm
 Width: 23 in. / 58.4 cm
 Height: 29.5 in. / 74.9 cm
 Weight (Wet): Single Circuit Briggs330 lbs / 149.6 kg
 Fuel Tank Capacity: 5.5 gal. / 20.8 ltr
 Estimated Gas Consumption Per Hour 1.3 gal / 4 ltr
 Hydraulic Reservoir Capacity: 3 gal. / 11 ltr
 Relief Valve setting 2100 psi / 145 bar
 Full relief setting 2500 psi / 172 bar

HTMA Category....."D" (30 LPM @ 138 bar)  or "E" (45 LPM @ 138 bar) 

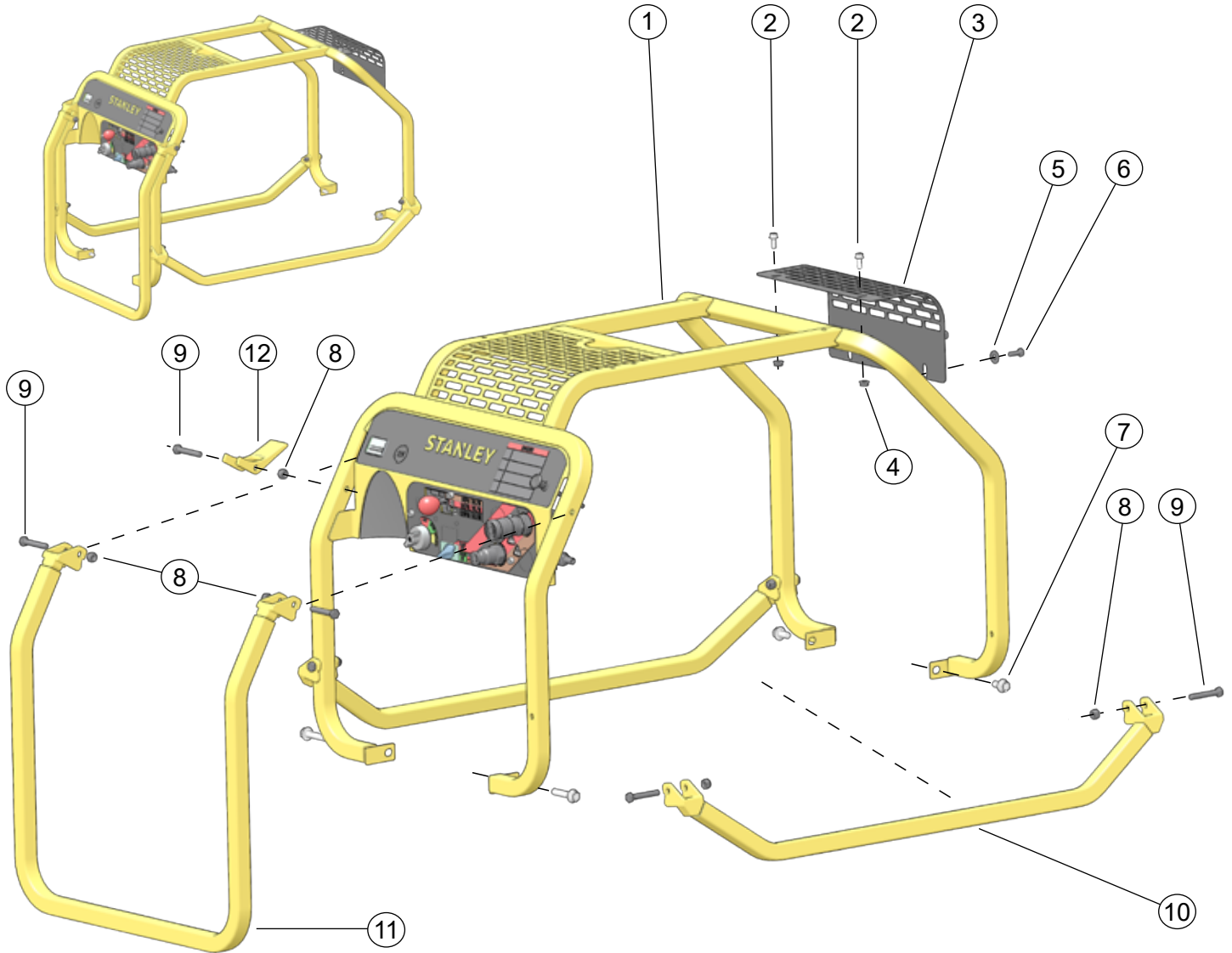
Nominal Pressure 1500 psi/103 bar
 Max Pressure 2000 psi/138 bar

POWER UNITS, TRACHORSE & GAS/FUEL DRIVEN EQUIPMENT: A1. Federal Emission Component Compliance 40CFR part 1060.120 STANLEY warrants all fuel system emission components for 2 years from the date of original purchase provided there has been no abuse, neglect, modifications or improper maintenance.

Components Covered: The emission-related warranty covers all components whose failure would increase the evaporative emissions. Your emission-related warranty does not cover components whose failure would not increase evaporative emissions. Coverage under this warranty extends only to the following parts; fuel tank, fuel cap, fuel hose and vapor hose from the fuel tank to the engine and any connectors that are apart of the fuel system.

The equipment is designed, built, and equipped so it conforms at the time of sale to the ultimate purchaser and each subsequent purchaser and is in compliance with 40 C.F.R. 1060.120 standards. The equipment is free from defects in materials and workmanship that may keep it from meeting these requirements.

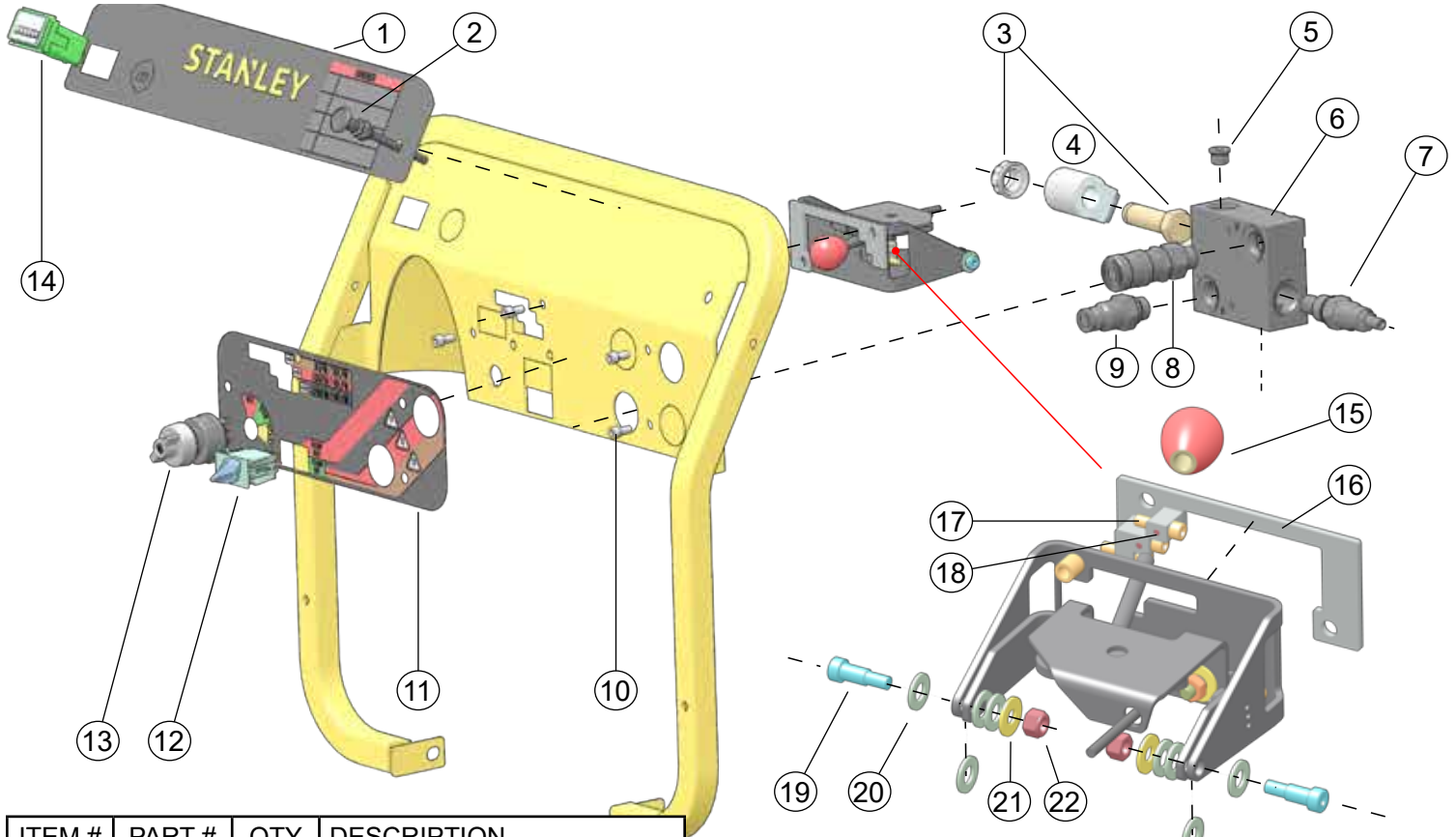
HP12 FRAME PARTS ILLUSTRATION



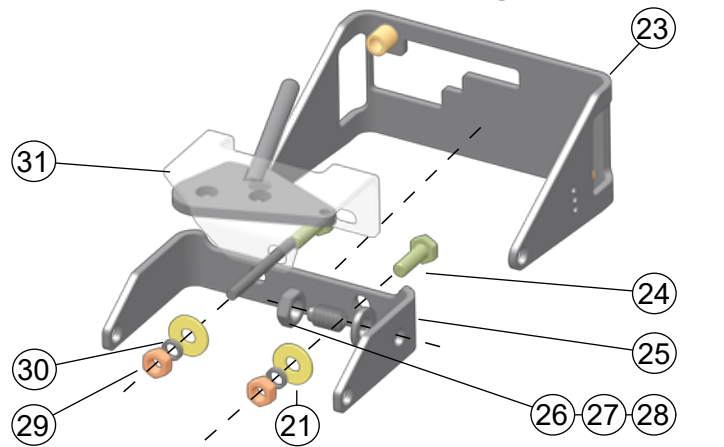
ITEM #	PART #	QTY	DESCRIPTION
1.	76755	1	Frame Weldment
2.	59075	2	Hex Flange Bolt
3.	59079	1	Cooler Guard
4.	59095	2	Hex Flange Nut
5.	60945	2	Washer
6.	15476	2	Hex Head Capscrew - Use if hydraulic oil tank was manufactured BEFORE 1/1/2021.
	14903	2	Hex Head Capscrew - Use if power unit or hydraulic oil tank was manufactured AFTER 1/1/2021
7.	23530	2	Rear Hex Flange Bolt
8.	03906	7	Locknut - Model HP12B Only
9.	370502	7	Hex Head Capscrew

ITEM #	PART #	QTY	DESCRIPTION
10.	62268	2	Lift Handle
11.	62267	1	Rear Lift Handle
12.	58916	1	Handle Lock

HP12 CONTROL PANEL ILLUSTRATION

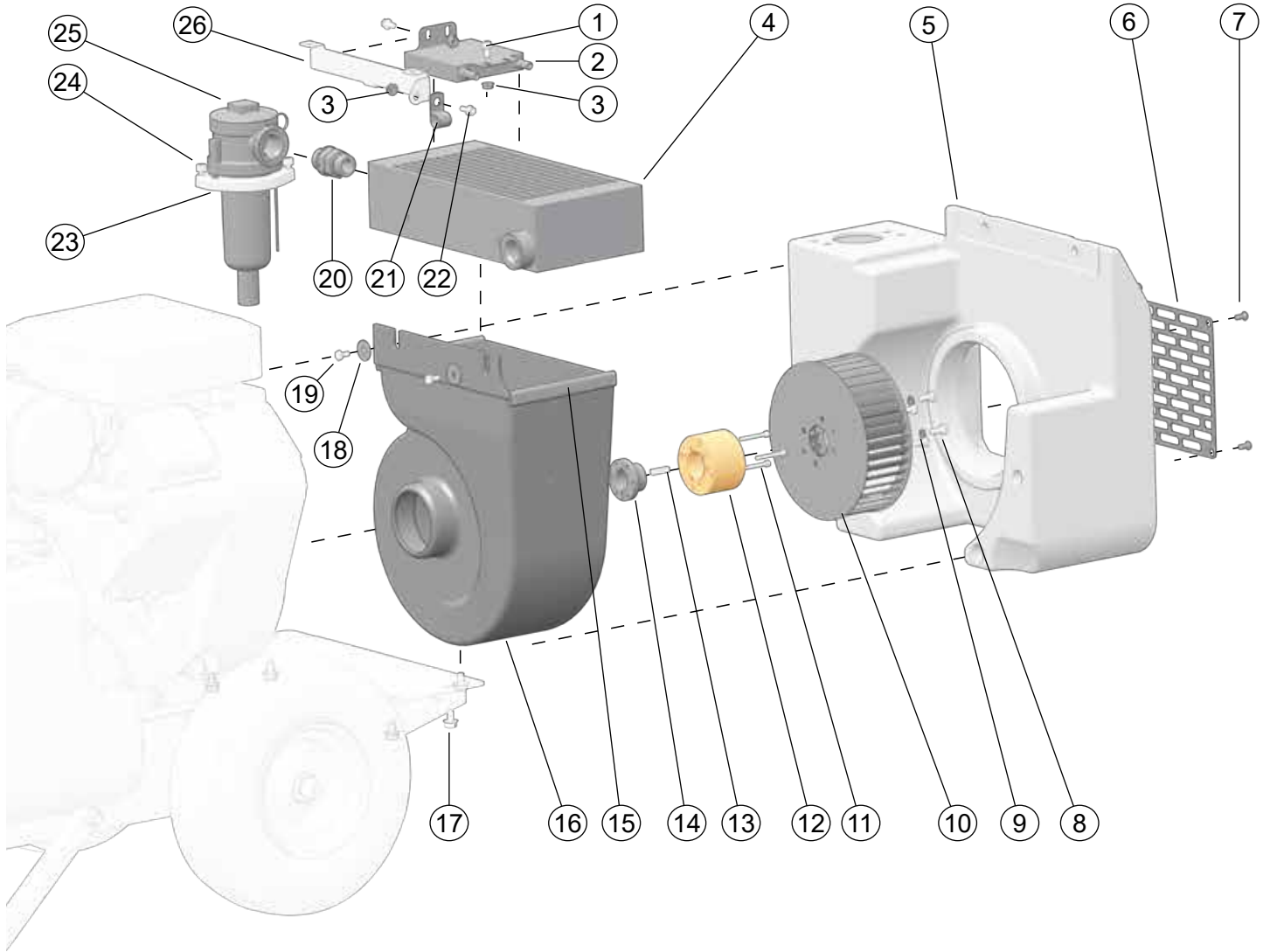


ITEM #	PART #	QTY	DESCRIPTION
1.	74759	1	Dash Decal
2.	62298	1	Choke Cable Assembly
3.	60959	1	Directional Valve with Cap
4.	60958	1	Solenoid Coil
5.	08104	2	Hollow Hex Plug
6.	76711	1	Manifold
	76722		Manifold Assembly (Items 3-7)
7.	59131	1	Relief Valve
8.	58856	1	3/8in. Female Coupler, -8 SAE
9.	58857	1	3/8in. Male Coupler, -8 SAE
10.	60962	4	Capscrew
11.	76748	1	Single Circuit Decal
12.	60955	1	2 Position Rotary Switch
13.	67899	1	3 Position Rotary Switch
14.	60946	1	Hour Meter
15.	204332	1	Throttle Knob
16.	76705	1	Throttle Adjustment Plate
17.	76791	3	Setscrew
18.	76702	3	Socket Head Cap Screw
19.	76785	2	Shoulder Bolt
20.	12175	8	Washer
21.	02259	4	Washer
22.	00719	2	Nut



ITEM #	PART #	QTY	DESCRIPTION
23.	76779	1	Outer Throttle Plate Assembly
24.	02146	2	Hex Head Cap Screw
25.	76700	1	Inner Throttle Plate
26.	20334	1	Nut
27.	210854	1	Ball Detent
28.	01214	1	Washer
29.	00038	2	Nut
30.	00046	2	Washer
31.	208887	1	Throttle Cable Assembly
32.	76710	1	Wire Harness (see page 22)

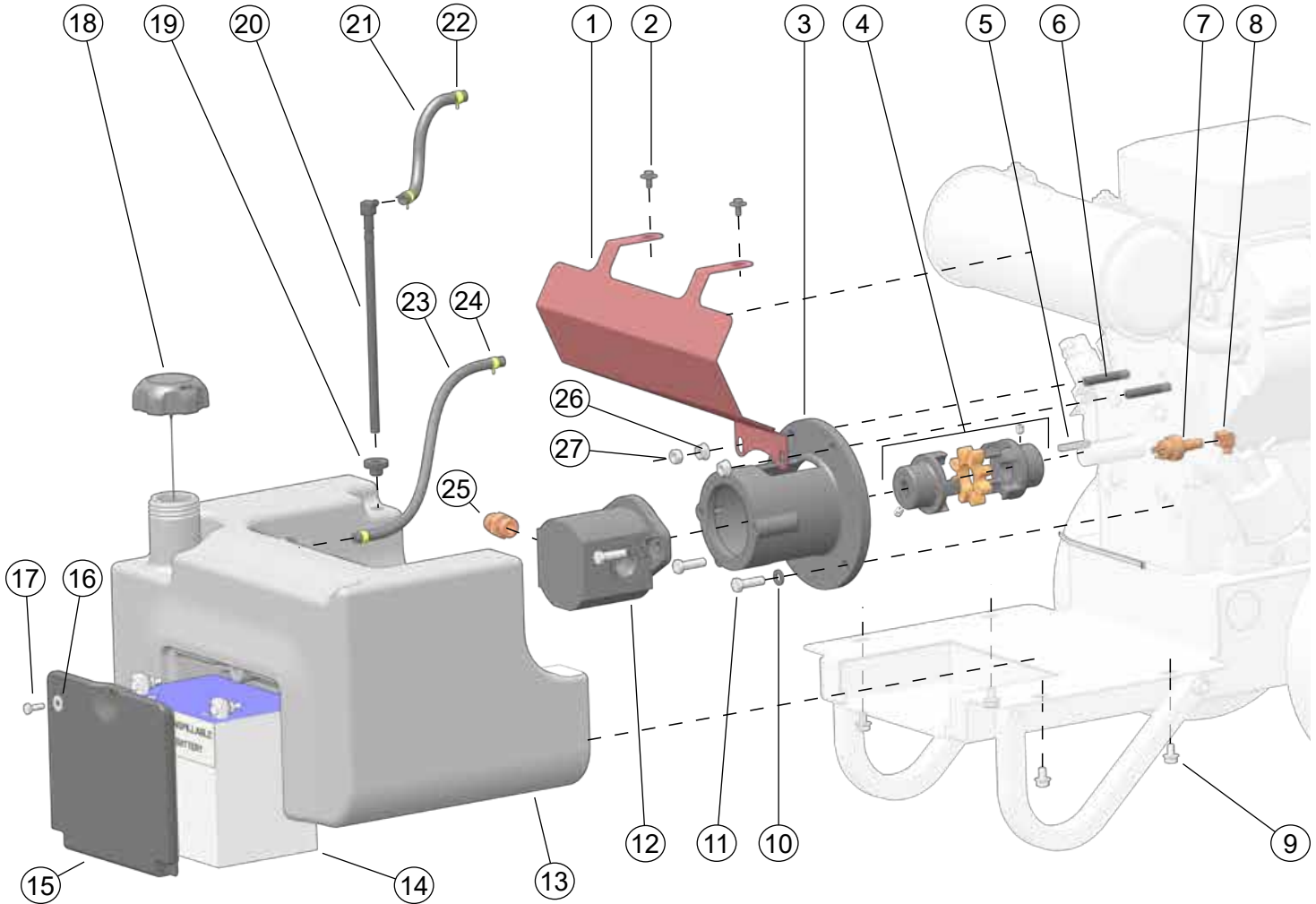
HP12 ENGINE ILLUSTRATION - FRONT



ITEM #	PART #	QTY	DESCRIPTION
1.	59074	2	Flange Bolt
2.	-	-	Provided as Part of Engine
3.	59095	3	Nut
4.	59091	1	Oil Cooler
5.	59077	1	Hydraulic Oil Tank
6.	59080	1	Front Grille
7.	17821	4	Button Head Capscrew
8.	80986	4	Hex Head Capscrew
9.	80984	4	Lock Washer
10.	65107	1	Blower Wheel
11.	00111	3	Capscrew
12.	65108	1	Blower Hub
13.	20990	1	Key
14.	59076	1	Bushing

ITEM #	PART #	QTY	DESCRIPTION
15.	62296	2	Weather Strip
16.	59083	1	Blower Housing
17.	40433	5	Flange Bolt
18.	26831	2	Washer
19.	01213	2	Hex Head Capscrew
20.	51292	1	Standard Thread Union
21.	60774	1	Hose Clamp
22.	59075	1	Flange Bolt
23.	64937	1	Grip Plate
24.	43687	2	Capscrew
25.	40080	1	Filter Assembly
26.	66215	1	Cooler Mount

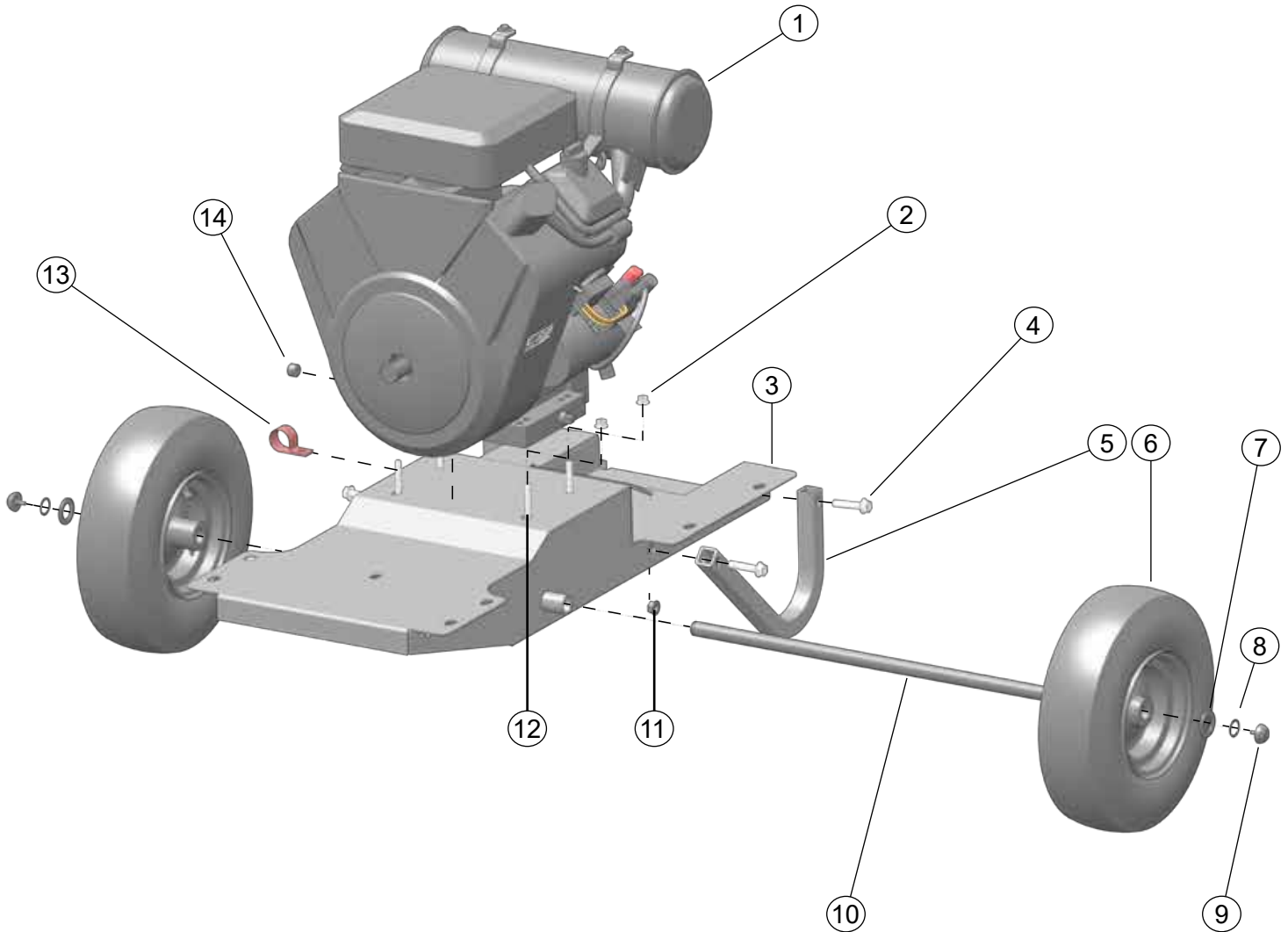
HP12 ENGINE ILLUSTRATION - BACK



ITEM #	PART #	QTY	DESCRIPTION
1.	66214	1	Heat Shield
2.	36152	2	Hex Washer Screw
3.	56655	1	Pump Mount
4.	56656	1	Coupling
5.	07819	1	Square Key
6.	62385	2	Stud
7.	31765	1	Pressure Switch
8.	69387	1	1/8in NPT Elbow Fitting
9.	40433	4	Flange Bolt
10.	01459	4	Washer
11.	07860	4	Hex Head Capscrew
12.	81743	1	Pump
13.	73050	1	Fuel Tank
14.	04303	1	Battery

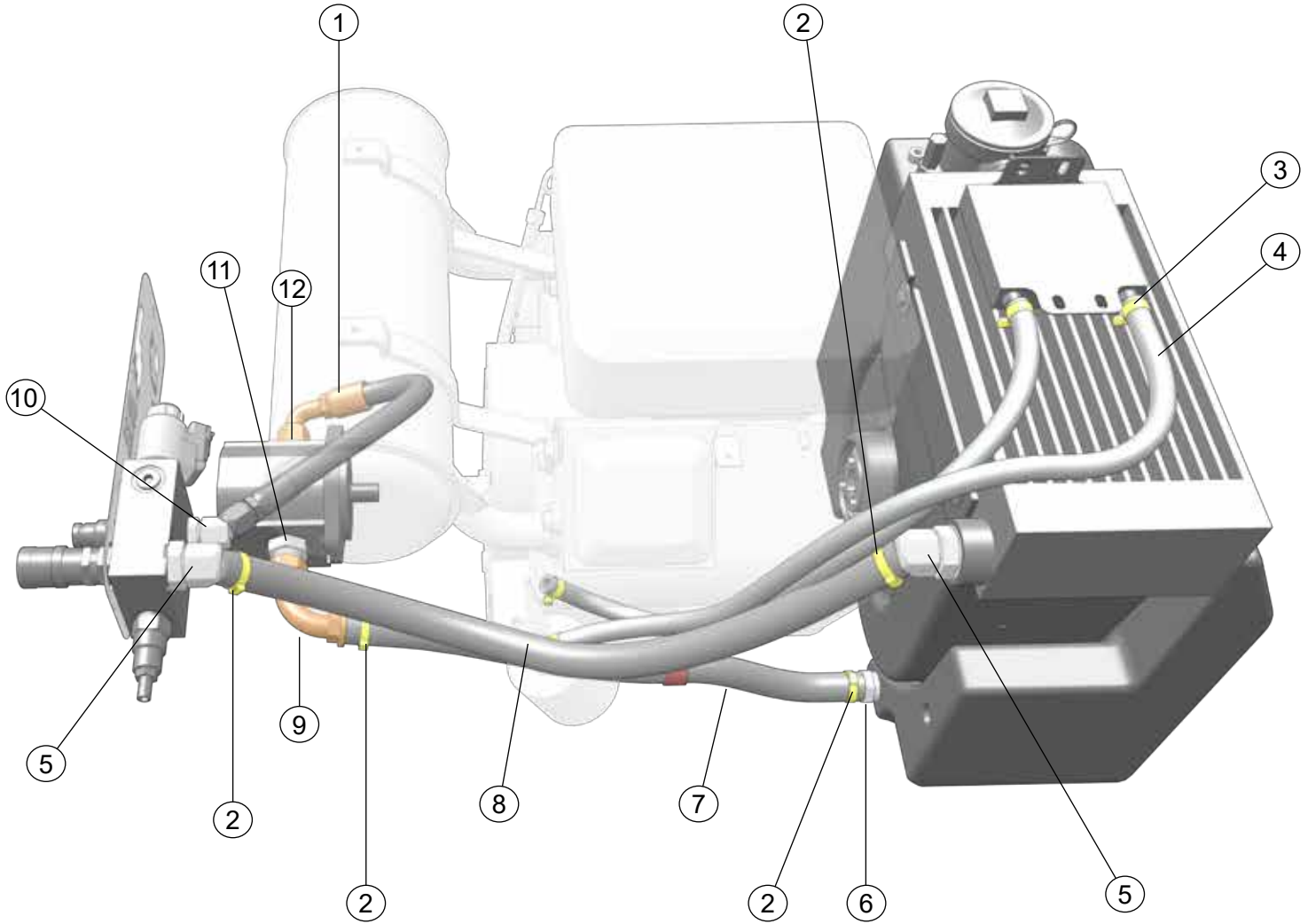
ITEM #	PART #	QTY	DESCRIPTION
15.	60921	1	Battery Cover
16.	60945	1	Washer
17.	15476	1	Hex Head Cap Screw
18.	71794	1	Fuel Tank Cap
19.	60920	2	Grommet
20.	60919	1	Fuel Elbow
21.	62289	1	Fuel Hose
22.	72317	2	Hose Clamp
23.	72571	1	Fuel Vapor Hose
24.	72451	3	Hose Clamp
25.	350104	1	Connector
26.	18893	2	Flange Nut
27.	371503	1	Nut

HP12 ENGINE ILLUSTRATION - BASE



ITEM #	PART #	QTY	DESCRIPTION
1.	76721	1	Engine
2.	12787	4	Flange Nut
3.	58897	1	Frame Base Weldment
4.	58976	4	Flange Bolt
5.	58975	2	Foot
6.	56633	2	Wheel and Tire - Model HP12B Only
7.	21318	2	Washer - Model HP12B Only
8.	31240	2	Retaining Ring - Model HP12B Only
9.	21714	2	Handle Bumper - Model HP12B Only
10.	58917	1	Axle - Model HP12B Only
11.	18893	2	Flange Nut
12.	58942	4	Flange Bolt
13.	24287	1	Hose Clamp
14.	01212	1	Pipe Plug

HOSES, FITTINGS AND CLAMPS



ITEM #	PART #	QTY	DESCRIPTION
1.	58943	1	Hose
2.	62199	4	Hose Clamp
3.	69384	4	Hose Clamp
4.	69383	2	Hose
5.	40364	2	45° Elbow Fitting
6.	59105	1	Hose Barb
7.	59089	1	Hose
8.	59088	1	Hose
9.	58569	1	90° Elbow Fitting
10.	350000	1	45° Fitting
11.	02773	1	Adapter
12.	350104	1	Connector

MAIN WIRING HARNESS

PART NUMBER 76710

