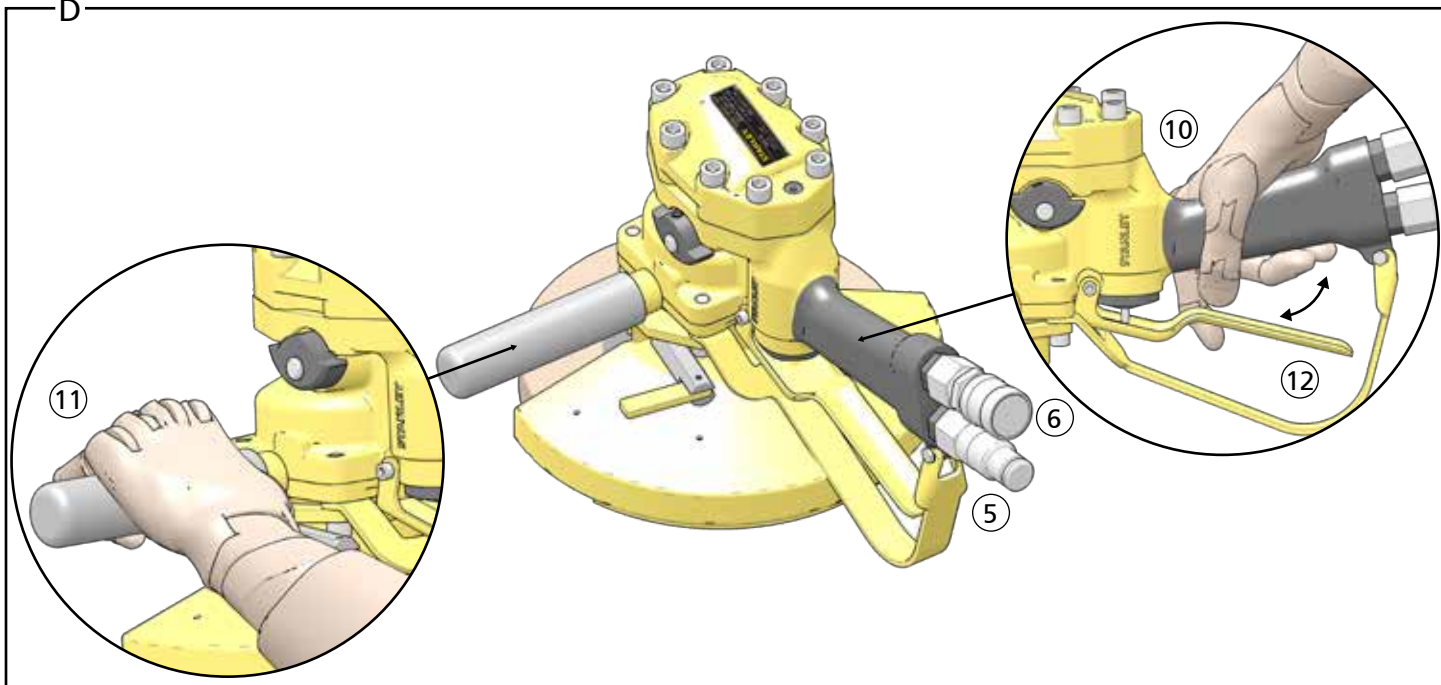
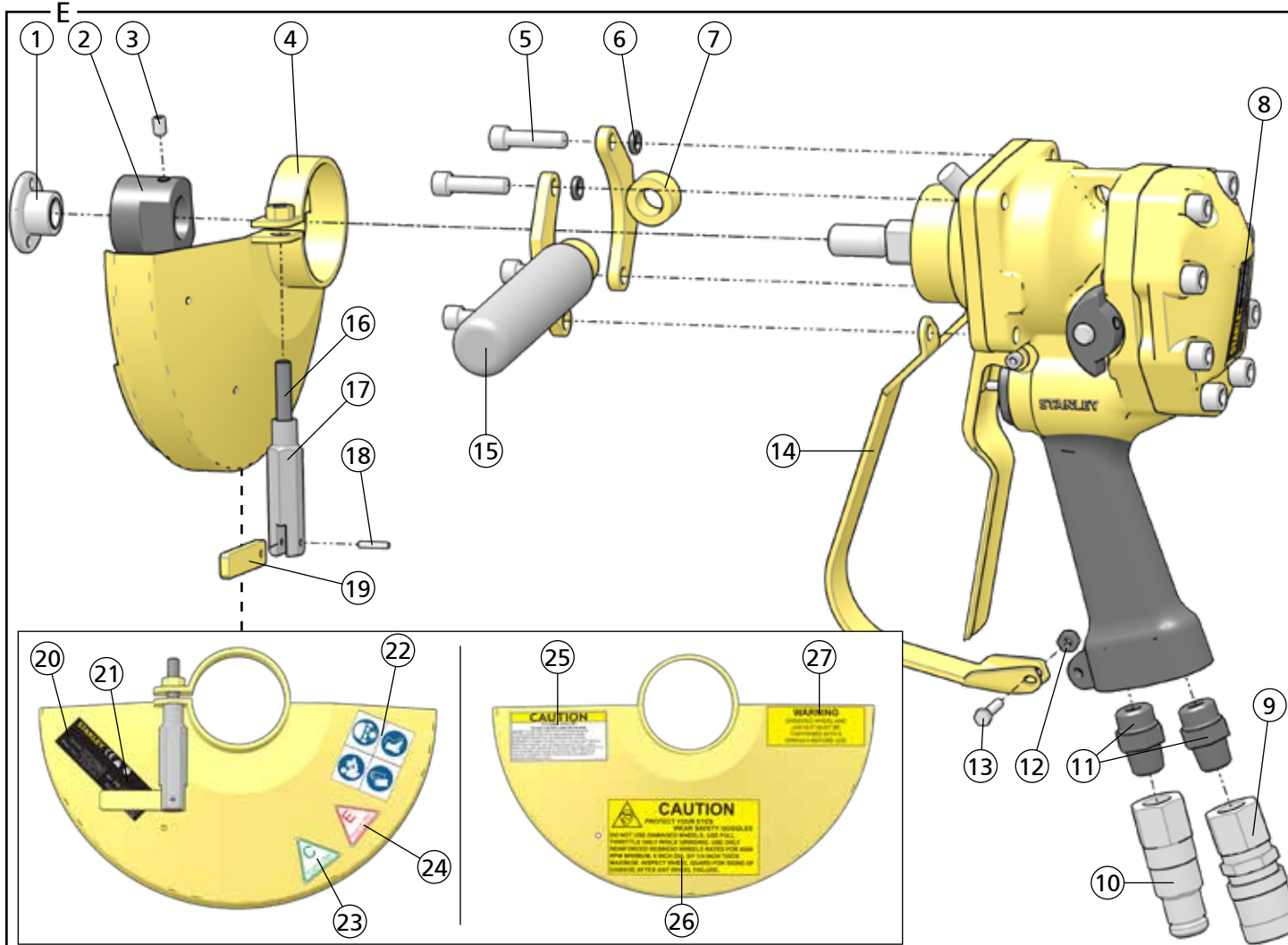
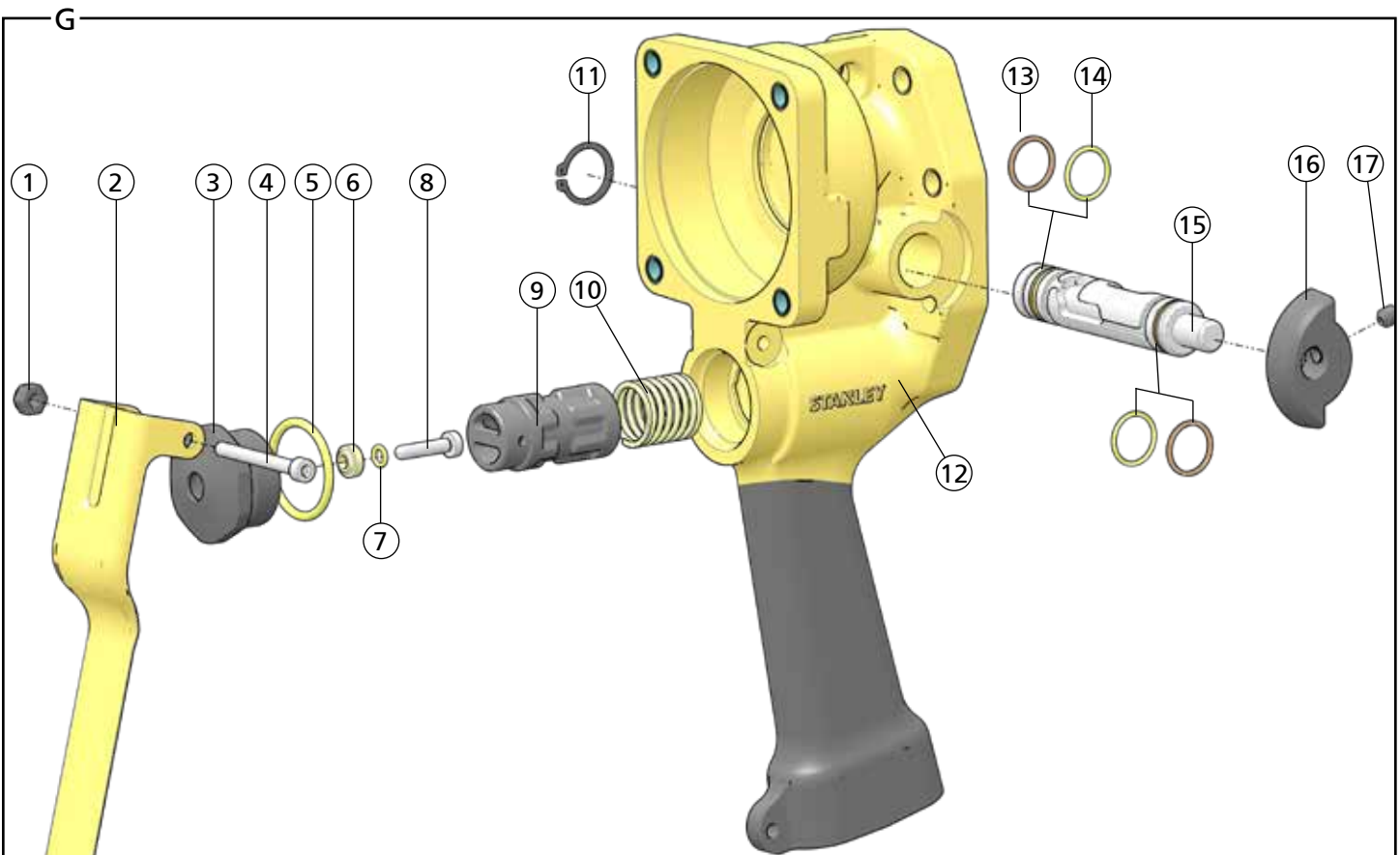
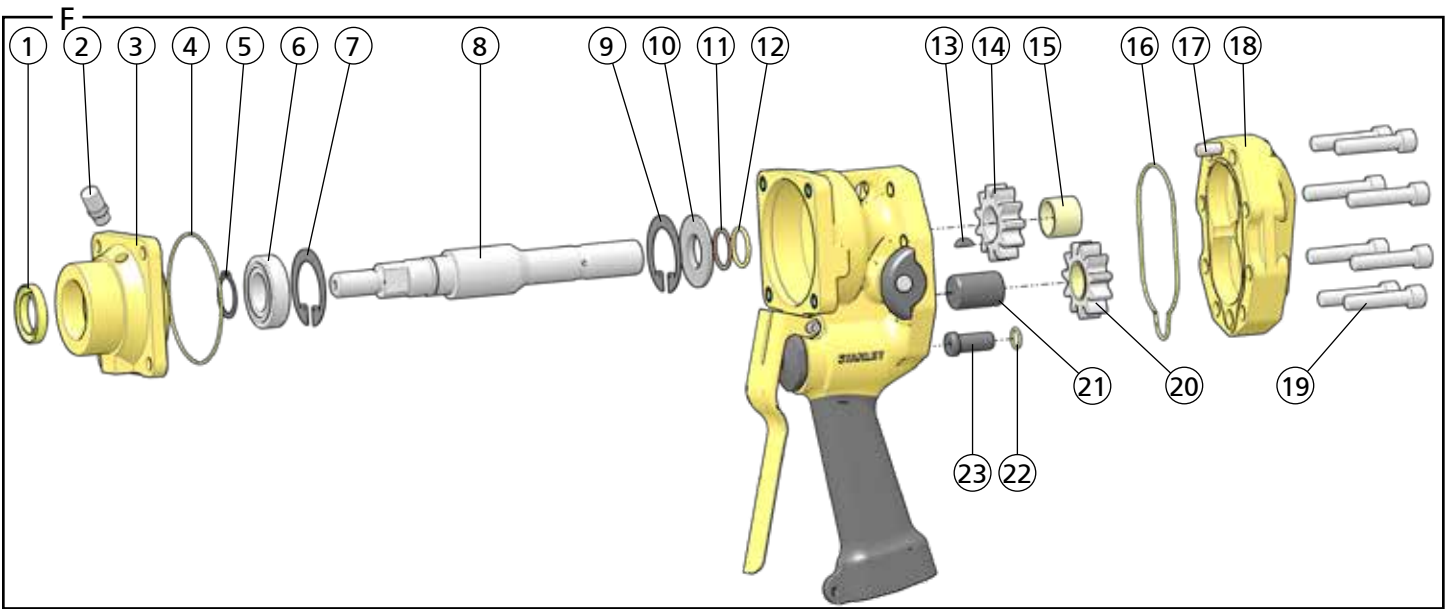


D



E





GR29 Parts Illustration - Detail E		
ITEM	P/N	DESCRIPTION
1	16495	Hub Nut - Model GR2930101
	13779	Jam Nut - Model GR29310
2	28913	Drive Flange - Model GR2930101
3	00599	Set Screw - Model GR2930101
4	11937	Wheel Guard - Model GR2930101
	08322	Wheel Guard - Model GR29310
5	00230	Cap Screw
6	00231	Washer
7	13796	Assist Handle Bracket
8	73684	Tool Name Tag
9	03972	Female Coupler
10	03973	Male Coupler
11	00936	Adapter
12	07724	Nylock Nut
13	12470	Cap Screw
14	12285	Trigger Guard
15	08130	Assist Handle
16	12786	Stud - Model GR2930101
17	12290	Clamp Screw - Model GR2930101
18	00285	Roll Pin - Model GR2930101
19	12291	Thumb Plate - Model GR2930101
20	74818	Tool Information Tag - Model GR2930101
21	88345	Importer Decal - Model GR2930101
22	88347	Composite Safety Decal - Model GR2930101
23	11206	Circuit Type "C" Decal - Model GR2930101
24	12535	Circuit Type "E" Decal - Model GR2930101
25	03788	GPM Decal
26	08688	Grinding Wheel Safety Decal
27	10396	Warning Decal
28	16969	Seal Kit (Not Shown) - * In Seal Kit

GR29 Motor Parts Illustration - Detail F		
ITEM	P/N	DESCRIPTION
1	13812	Rotary Shaft Seal*
2	01220	Grease Fitting
3	13790	Bearing Carrier
4	00149	O-ring*
5	00672	Retaining Ring
6	13813	Bearing
7	00166	Retaining Ring
8	13791	Spindle
9	00166	Retaining Ring
10	07987	Back-up Washer
11	09396	Back-up Ring*
12	08017	O-ring*
13	13828	Woodruff Key
14	13783	Drive Gear
15	08014	Bushing

GR29 Motor Parts Illustration - Detail F		
ITEM	P/N	DESCRIPTION
16	08023	O-ring*
17	372055	Dowel Pin
18	13789	Motor Cap Assembly (Includes 08014 & 372055)
19	01870	Cap Screw
20	07989	Idler Gear Assembly (Includes bushing)
21	07991	Idler Shaft
22	03252	O-ring
23	13782	Insert
24	16969	Seal Kit (Not Shown) - * In Seal Kit

GR29 Trigger & Reversing Spool Parts Illustration - Detail G		
ITEM	P/N	DESCRIPTION
1	07724	Nylock Nut
2	12283	Trigger
3	22063	Spool Cap
4	00786	Cap Screw
5	06533	O-ring*
6	22064	Rod Wiper*
7	00026	O-ring*
8	23678	Headed Push Pin
9	73041	Valve Spool
Note: Models with a serial number of 020516107 or earlier use an older version valve spool, part number 13781. Newer model spools are not backwards compatible. Contact your STANLEY dealer for service.		
10	07988	Spring
11	09275	Retaining Ring
12	73311	Main Housing Assembly
13	08015	Back-up Ring*
14	01211	O-ring*
15	08002	Reversing Spool
16	17061	Valve Keeper
17	00580	Set Screw
18	16969	Seal Kit (Not Shown) - * In Seal Kit