

DS12 Hydraulic Utility Saw

71069 User Manual 2/2022 Ver. 21

DECLARATION OF CONFORMITY
ÜBEREINSTIMMUNGS-ERKLÄRUNG
DECLARATION DE CONFORMITE CEE
DECLARACION DE CONFORMIDAD
DICHIARAZIONE DI CONFORMITA

STANLEY
 Infrastructure



I, the undersigned:
 Ich, der Unterzeichnende:
 Je soussigné:
 El abajo firmante:
 Io sottoscritto:

Nuerenberg, David

Surname and First names/Familiennamen und Vornamen/Nom et prénom/Nombre y apellido/Cognome e nome

hereby declare that the equipment specified hereunder:
 bestätige hiermit, daß erklaren Produkt genannten Werk oder Gerät:
 déclare que l'équipement visé ci-dessous:
 Por la presente declaro que el equipo se especifica a continuación:
 Dichiaro che le apparecchiature specificate di seguito:

- Category: **Utility Chainsaw, Hydraulic**
 Kategorie:
 Catégorie:
 Categoría:
 Categoria:
- Make/Marke/Marque/Marca/Marca **STANLEY**
- Type/Typ/Type/Tipo/Tipo: **DS1231801**
- Serial number of equipment:
 Seriennummer des Geräts:
 Numéro de série de l'équipement:
 Numero de serie del equipo:
 Matricola dell'attrezzatura:

All

Has been manufactured in conformity with
 Wurde hergestellt in Übereinstimmung mit
 Est fabriqué conformément
 Ha sido fabricado de acuerdo con
 E' stata costruita in conformità con

Directive/Standards Richtlinie/Standards Directives/Normes Directriz/Los Normas Direttiva/Norme	No. Nr Numéro No n.	Approved body Prüfung durch Organisme agréé Aprobado Collaudato
EN ISO	5349	Self
EN ISO	3744 (15744)	Self
EN ISO	13732-1	Self
Machinery Directive	2006/42/EC:2006	Self

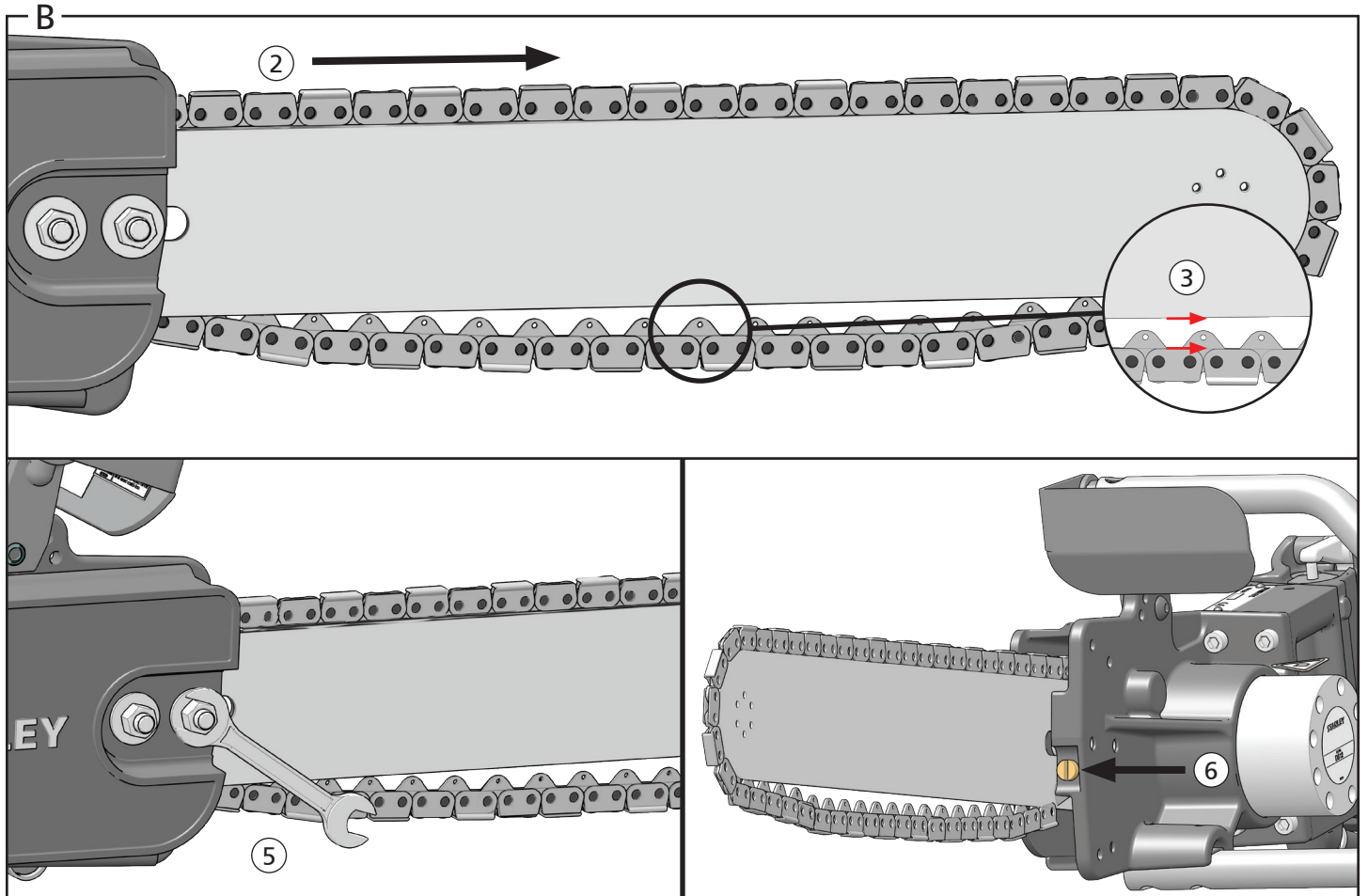
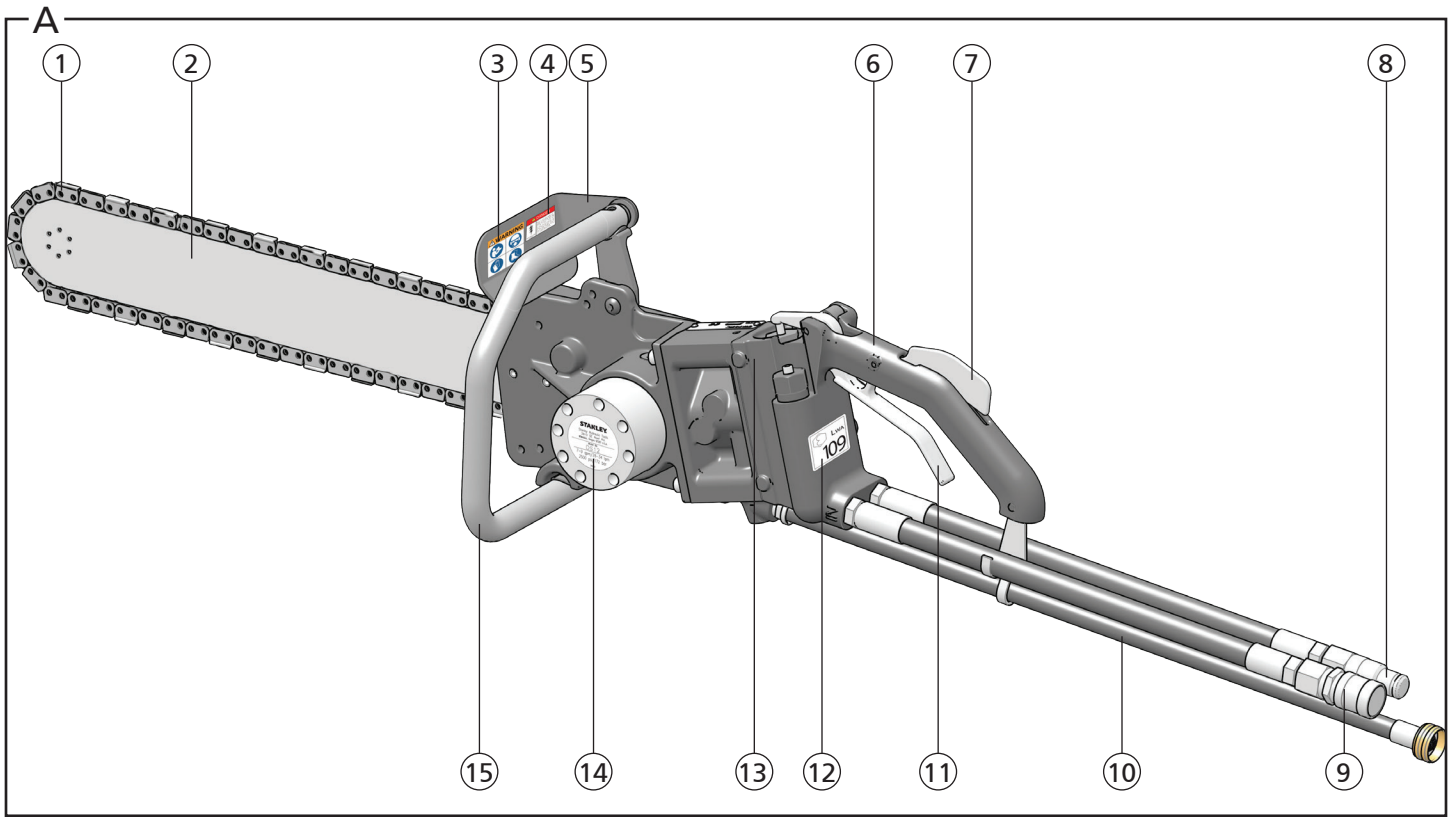
- Special Provisions: **None**
 Spezielle Bestimmungen:
 Dispositions particulières:
 Provisiones especiales:
 Disposizioni speciali:
- Representative in the Union: **Patrick Vervier, Stanley Dubuis 17-19, rue Jules Berthonneau-BP 3406 41034 Blois Cedex, France.**
 Vertreter in der Union/Représentant dans l'union/Representante en la Union/Rappresentante presso l'Unione

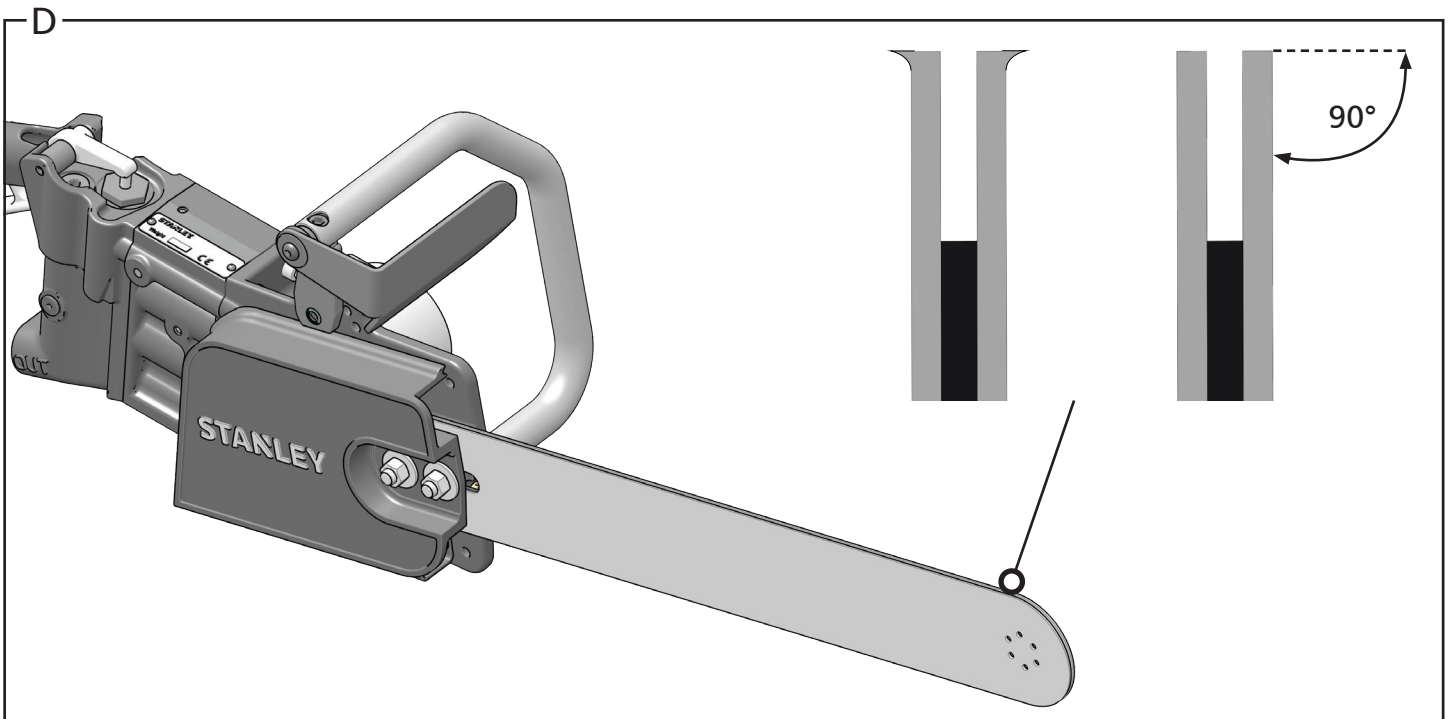
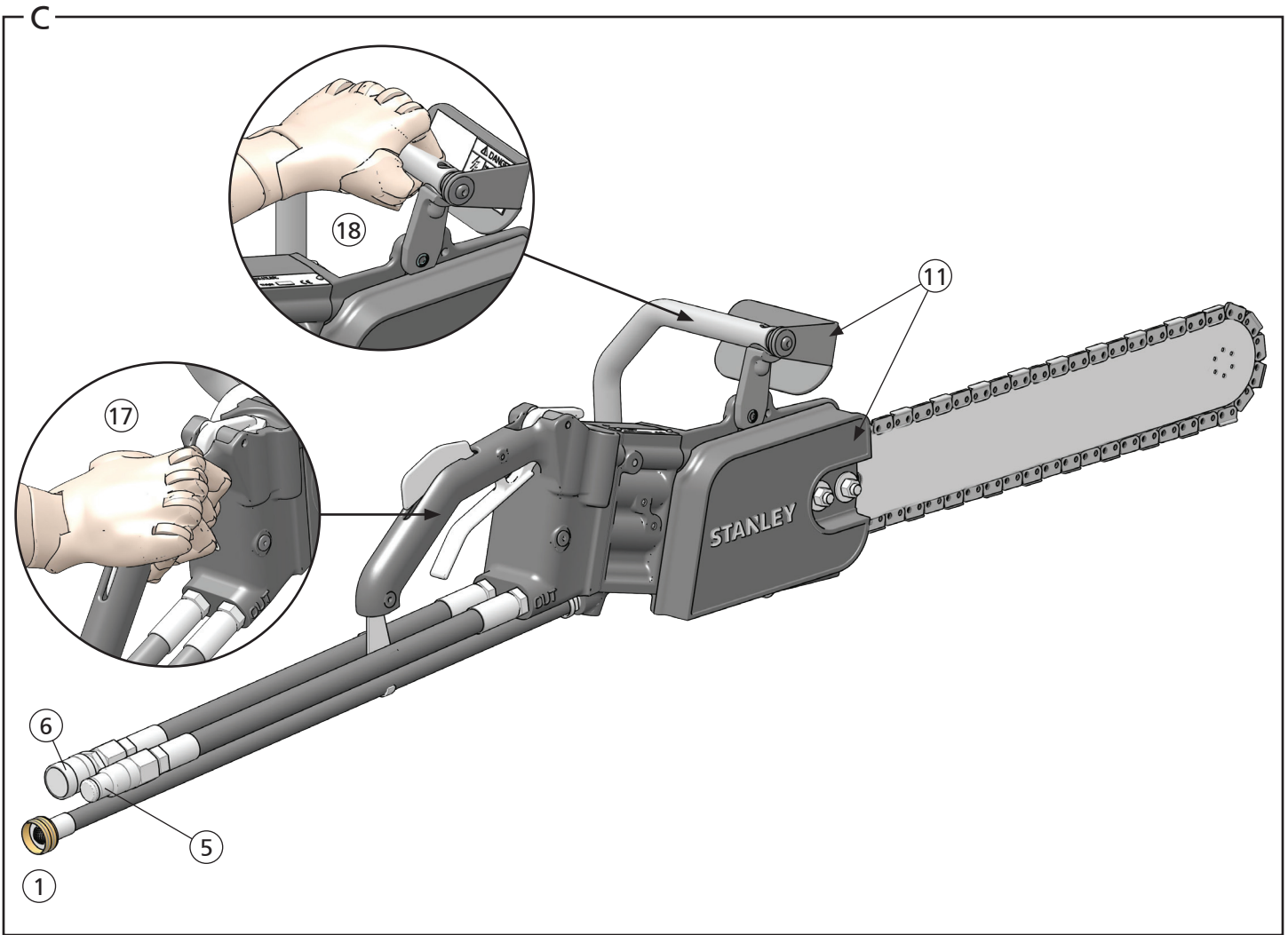
Done at/Ort/Fait à/Dado en/Fatto a STANLEY Infrastructure, Milwaukie, Oregon USA Date/Datum/le/Fecha/Data 4-30-2018

Signature/Unterschrift/Signature/Firma/Firma

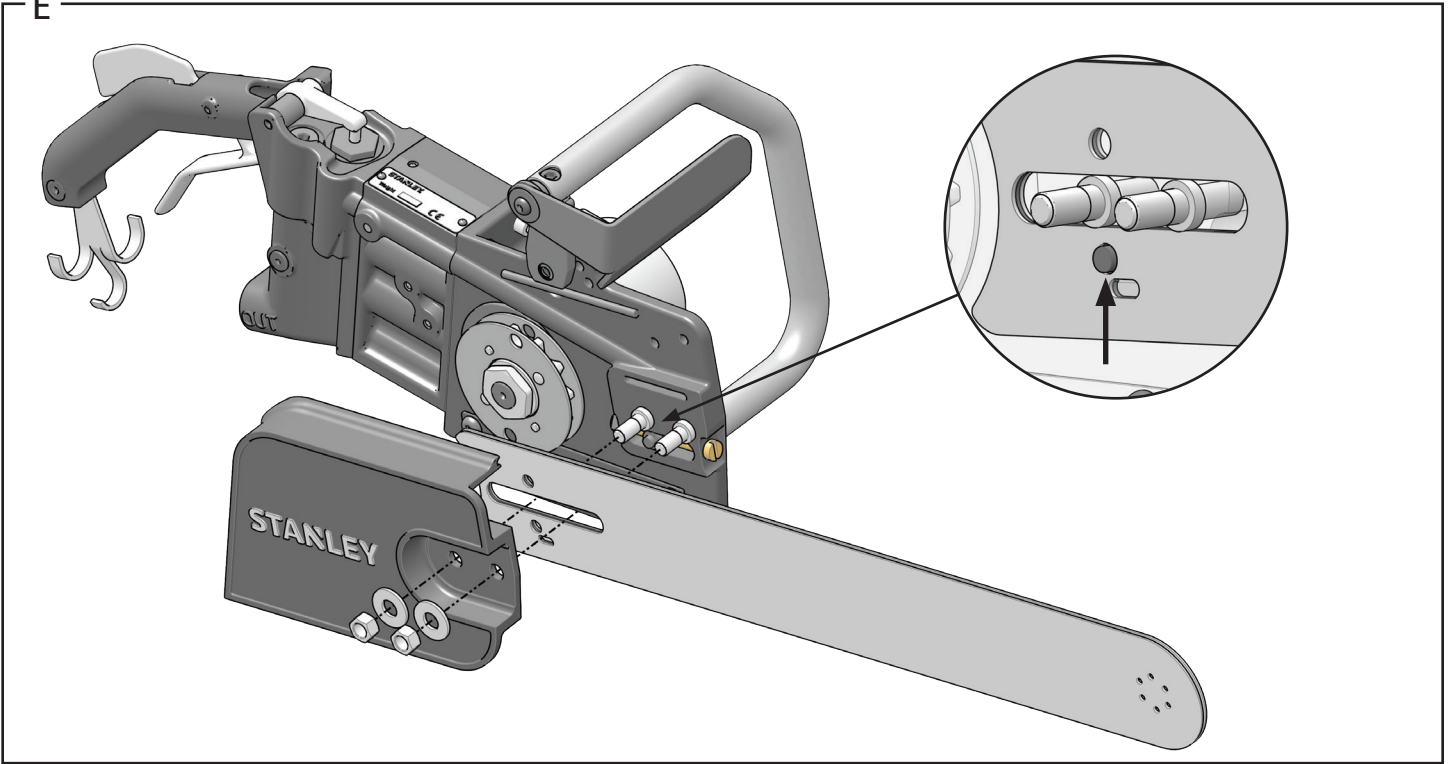
David Nuerenberg
 North America Quality Manager

Position/Position/Fonction/Cargo/Posizione

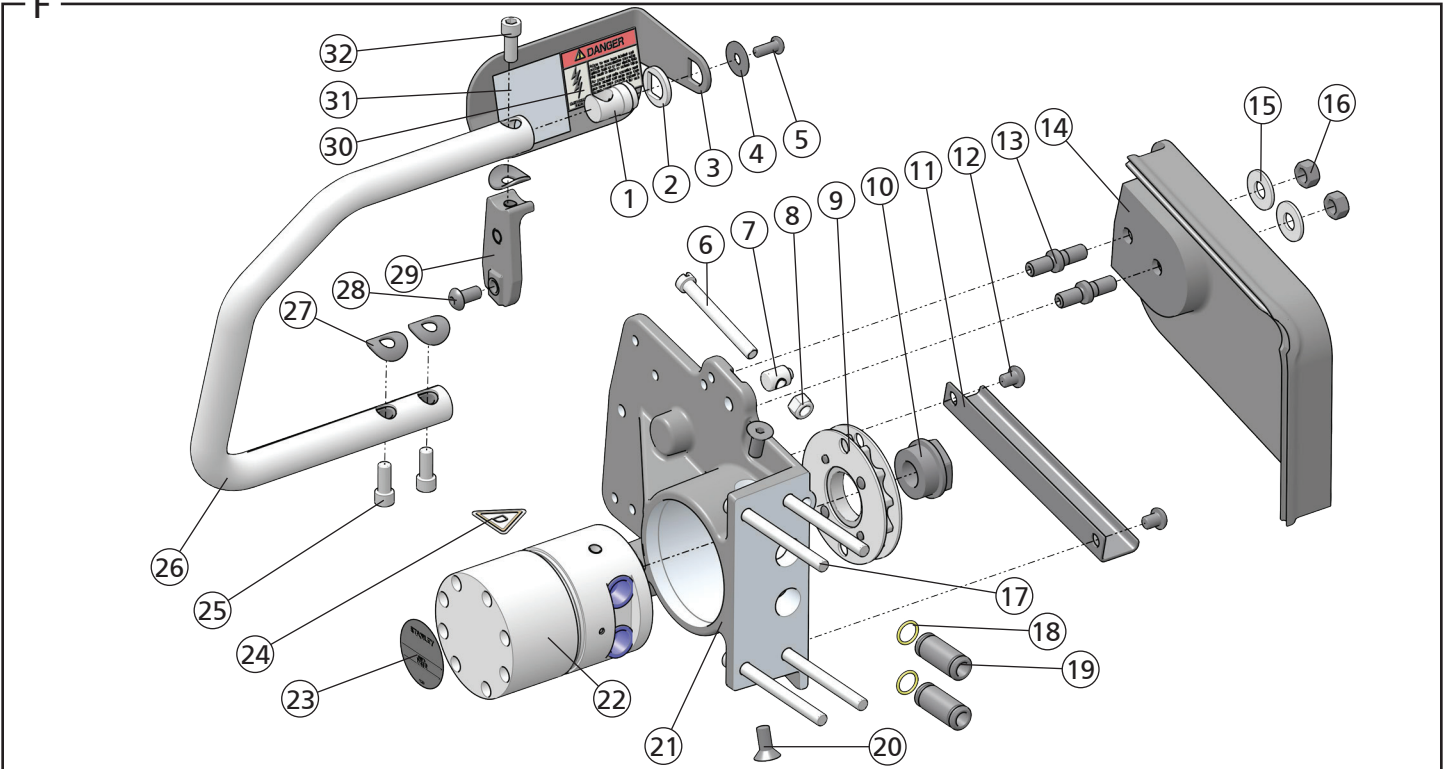


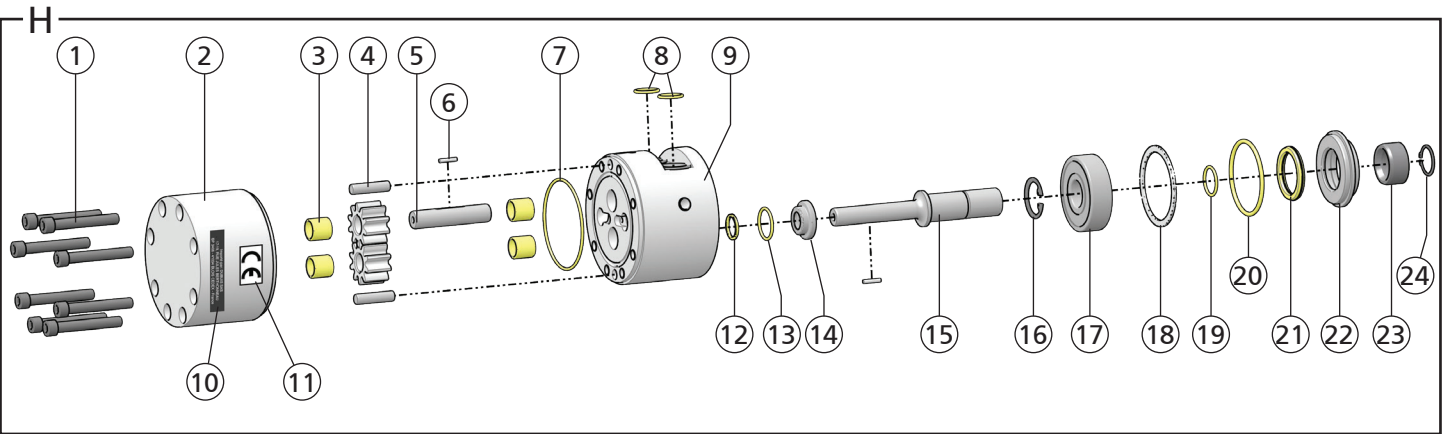
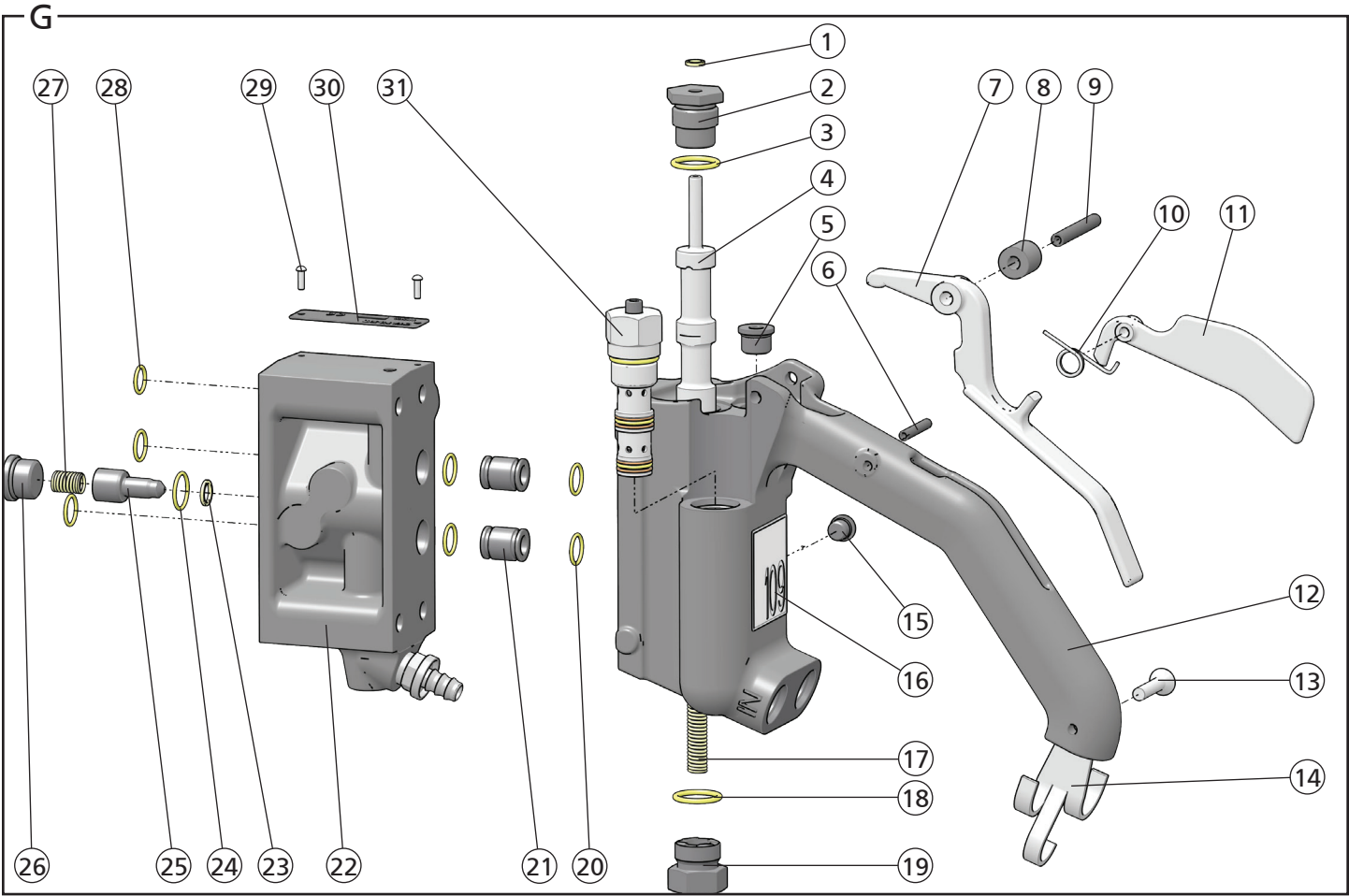


E



F









DS12 Main Body Parts Illustration - Detail F			
ITEM	P/N	DESCRIPTION	Qty
1	81779	Handle Retainer	1
2	73583	Hand Guard Spacer	1
3	73582	Hand Guard	1
4	33261	Washer	1
5	33260	Cap Screw - 1/4-20 X 5/8	1
6	22714	Fill Head Screw - 5/16-18 X 2.750	1
7	22702	Bar Adjustment Nut	1
8	22752	Nylock Nut - 5/16-18Unc	1
9	71046	Chain Sprocket	1
10	20471	Trantorque Adapter - Torque To 23-30 Ft. Lbs.	1
11	22945	Chain Cover	1
12	23196	Cap Screw - 5/16-18 X 3/8	2
13	20465	Stud	2
14	71051	Chain Guard	1
15	02766	Washer	2
16	03276	Hex Nut - 3/8-16Unc	2
17	01758	Cap Screw - 5/16-18 X 3.50	4
18	00175	O-Ring - 1/2 X 5/8 X 1/16-014*	8
19	02912	Oil Tube	2
20	03006	Cap Screw - 5/16-18 X 3/4	2
21	22713	Chain Saw Adapter	1
22	25688	Motor Assembly	1
23	74773	Tool Name Tag	1
24	11207	Circuit Type "D" Sticker	1
25	02764	Cap Screw - 5/16-18 X 3/4	2
26	02936	Handle	1
27	02643	Washer	3
28	22715	Cap Screw - 5/16-18 X 5/8	1
29	20461	Handle Strut Assembly	1
30	12412	Electrical Danger Sticker	1
31	88347	Composite Safety Sticker	1
32	02764	Cap Screw - 5/16-18 X 3/4	3
33	22798	Seal Kit (not shown) - *In seal kit	-

DS12 Handle Parts Illustration - Detail G			
ITEM	P/N	DESCRIPTION	Qty
34	00112	Quad Ring - 1/4 x 3/8 x 1/16-010*	1
35	02931	ON/OFF Valve Cap	1
36	01604	O-ring - .755 x .949 x .097-910*	2
37	02925	Valve Spool	1
38	08104	Hex Plug	1
39	74841	Roll Pin	1
40	22707	Trigger	1
41	02920	ON/OFF Valve Spacer	1
42	31804	Roll Pin	1
43	22701	Spring	1
44	22704	Safety Catch	1
45	28552	Valve Handle Assembly - Includes part 08104. Must purchase with part 74841.	1

DS12 Handle Parts Illustration - Detail G			
ITEM	P/N	DESCRIPTION	Qty
46	00787	Cap Screw - 1/4-20 x 1.250	1
47	20459	Hose Clip	1
48	350023	Hex Plug	1
49	88358	Sound Power Decal	1
50	02916	Spring	1
51	01604	O-ring - .755 x .949 x .097-910	2
52	09437	Plug	1
53	00175	O-ring - 1/2 x 5/8 x 1/16-014	8
54	00174	Oil Tube	2
55	20453	Extension Housing Assembly	1
56	25260	O-ring - 3/8 x 1/2 x 1/16-012*	1
57	01211	O-ring - 5/8 x 3/4 x 1/16-016*	1
58	20463	Water Valve	1
59	350237	Hex Plug	1
60	20458	Spring	1
61	00018	O-ring - 7/16 x 9/16 x 1/16-013*	1
62	02004	Drive Screw	2
63	76544	CE Tool Plate	1
64	71799	Flow Relief Cartridge	1
65	09612	Caution Sticker (Not Shown)	1
66	22798	Seal Kit (not shown) - *In seal kit	-

DS12 Motor Parts Illustration - Detail H			
ITEM	P/N	DESCRIPTION	Qty
1	00208	Cap Screw	8
2	06861	Gear Housing	1
3	06316	Bushing	4
4	00713	Dowel Pin	2
5	73308	Idle Shaft	1
6	03227	Dowel Pin	2
7	00178	O-ring	1
8	00175	O-ring	2
9	21417	Front Bearing Housing	1
10	88345	Importer Label - Model DS1231801	1
11	28323	CE Label - Model DS1231801	1
12	00669	Quad Ring	1
13	350771	O-ring	1
14	19884	Seal Gland	1
15	20466	Motor Shaft	1
16	00170	Retaining Ring	1
17	00148	Bearing	1
18	00633	Retaining Ring	1
19	01211	O-ring	1
20	02905	O-ring	1
21	03110	Rotary Shaft Seal	1
22	03104	Keeper Seal & Bearing	1
23	03280	Spacer	1
24	20472	Retaining Ring	1

Safety Precautions

	The Safety Alert Symbol alerts you to potential personal injury hazards. Obey all safety messages that follow to avoid possible injury or death.
	Indicates an imminently hazardous situation which will result in death or serious injury.
	Indicates a potentially hazardous situation which could result in death or serious injury.
	Indicates a potentially hazardous situation which could result in property damage.

Always observe safety symbols. They are included for your safety and for the protection of the tool.



WARNING: Read all safety warnings and instructions. Failure to follow warnings and instructions may result in tool damage and/or serious injury.

WARNING: To reduce the risk of injury, read the instruction manual.

General

- Do not discard safety instructions. Give to the operator.
- This tool will provide dependable service if operated in accordance with the instructions given in this manual. Read and understand this manual and any stickers and tags attached to the tool and hoses before operation. Failure to do so could result in personal injury or equipment damage.
- Inspect the tool before each use and ensure all decals are legible. Contact STANLEY if replacements are needed.
- Establish a training program for all operators to ensure safe operation. Do not operate the tool unless thoroughly trained or under the supervision of an instructor. Keep out of the reach of children.
- Operators and maintenance personnel shall be able to physically handle the bulk, weight and power of the tool.
- Avoid unsuitable postures as these positions do not allow for counteracting of normal or unexpected movement of the tool, such as a sudden break of the tool bit. Change postures during extended tasks to help avoid discomfort or fatigue.
- Do not operate a damaged, improperly adjusted, modified or incompletely assembled tool.
- Do not operate the tool in explosive atmospheres, such as in the presence of flammable liquids, gases or dust. Power tools create sparks which may ignite the dust or fumes.
- Provide adequate ventilation in closed areas when operating a gas or diesel hydraulic power source.
- Do not inspect, carry, clean, change accessories or perform maintenance on the tool while the power source is connected. Accidental engagement of the tool can cause serious injury.
- Ensure work piece is securely fixed. Be aware that failure of the work piece or accessories may generate high velocity projectiles.
- Stay alert, watch what you are doing and use common sense when operating a hydraulic tool. Do not operate this tool if you are tired or under the influence of drugs or alcohol. A moment of inattention while operating hydraulic tools may result in serious injury.
- Assess risks to others around you before operating the tool.
- During operation, do not contact mechanisms, accessories or hardware as they can become very hot; use your Personal Protection Equipment (PPE).
- Use and maintain the tool as stated in this manual. Misuse of this tool is forbidden. Misuse of the tool can cause serious injury. Do not modify the tool in any way.
- Supervising personnel should develop additional precautions relating to the specific work area and local safety regulations.
- Never operate the tool if you cannot be sure that underground utilities are not present, such as electrical cables, gas pipes, etc. These can cause a hazard if damaged with the tool.
- The tool is not insulated against coming into contact with electric power. Use hose certified as non-conductive.
- Do not overreach. Maintain proper footing and balance at all times when using the tool.
- Slips, trips and falls are major causes of workplace injury. Be observant of hoses lying about the work area, as they can be a tripping hazard.

- Operator must start in a work area without bystanders and must assess the risk to bystanders, including the risk of serious injury or death caused by the tool or accessories dropped from an elevated height.
- Operators must be familiar with all prohibited work areas such as excessive slopes and dangerous terrain conditions.
- Only use clean hydraulic fluid and lubricants that have been recommended by STANLEY.
- Ensure tools are working properly and safely by performing preventative maintenance (PM) procedures.
- Repair and service of this tool must only be performed by an authorized and certified dealer.
- Use only replacement parts, accessories and consumables recommended by STANLEY.
- Do not force the tool to do the work of a larger tool. Use the correct tool for your application.
- Use only hoses and hose couplings that are rated for a minimum working pressure of 2500 PSI (172 BAR).
- Keep hands away from rotating chuck, drill bits or drives.
- Rotating drive sockets and drive extensions can easily entangle rubber-coated gloves or metal reinforced gloves. Never hold the drive, sockets, drive extensions or other accessories.
- Do not use in confined spaces. Beware of crushing hazards between the tool and the workpiece, especially when unscrewing or reversing the tool.
- Keep the work area well lit.
- Prevent unintentional starting. Ensure the trigger is in the off position before connecting to power source, picking up or carrying the tool. Carrying power tools with your finger on the trigger or energizing power tools that have the trigger on invites accidents.
- In spite of the application of relevant safety regulations and the implementation of safety devices, certain residual risks cannot be avoided. These risks are: repetitive strain injury due to incorrect posture and risk of pinching fingers when changing tool bit or pressing trigger.

Dust and Fumes

- **WARNING:** Some dust created by power sanding, sawing, grinding, drilling, and other construction activities contains chemicals known to the State of California to cause cancer, birth defects or other reproductive harm. Some examples of these chemicals are:
 - Lead from lead-based paints,
 - crystalline silica from bricks and cement and other masonry products, and
 - arsenic and chromium from chemically-treated lumber.

Your risk from these exposures varies, depending on how often you do this type of work. To reduce your exposure to these chemicals: work in a well ventilated area, and work with approved safety equipment, such as those dust masks that are specially designed to filter out microscopic particles. Protect yourself and those around you. Research and understand the materials you are drilling. Follow correct safety procedures and comply with all applicable national, state or provisional health and safety regulations relating to them, including, if appropriate arranging for the safe disposal of the materials by a qualified person.

- When dust or fumes are created, control them at the point of emission. Direct tool exhaust to minimize disturbance of dust.
- Operate and maintain the tool as recommended in this manual to minimize dust.
- Use respiratory protection in accordance with employers instruction or as required by occupational health and safety regulations.
- Avoid prolonged contact with dust. Allowing dust to get into your mouth, eyes or lay on the skin may promote absorption of harmful chemicals.
- Select and replace tool bits as recommended in order to prevent an unnecessary increase in dust or fumes.
- Keep tool handles dry, clean and free from oil and grease. This will enable better control of the tool.

PPE

- Always wear safety equipment such as impact resistant goggles, ear protection, head protection, breathing protection and safety shoes at all times when operating the tool.
- Hands may be exposed to hazards, impacts, cuts, abrasions and heat. Wear gloves.
- Wear a hardhat if performing overhead work.
- Use PPE that conforms to standards ANSI Z87.1 (Eye and Face

Protection), ANSI Z89.1 (Head Protection), ANSI Z41.1 (Foot Protection) and ANSI S12.6 (S3.19) (Hearing Protection).

- Do not wear loose fitting clothing, jewelry or gloves with cut or frayed fingers when operating the tool. Entanglement, choking, scalping and laceration can occur if loose clothing, personal jewelry, neck wear, hair or gloves are not kept away from the rotating tool and it's accessories. Gloves can become entangled with the rotation drive, causing severed or broken fingers.



M003
Wear Ear
Protection



M004
Wear Eye
Protection



M016
Wear a Mask

Sound

- Exposure to high noise levels can cause permanent, disabling hearing loss and other problems, such as tinnitus (ringing, buzzing, whistling or humming in the ears). Use hearing protection in accordance with employer's instructions and as required by occupational health and safety regulations. Appropriate controls to reduce the risk can include actions such as damping materials to prevent work pieces from "ringing".
- Use and maintain as recommended in the manual to prevent an unnecessary increase in noise levels.

Vibration

- When using a rotary or percussive tool to perform work related activities, the operator can experience discomfort in the hands, arms, shoulders, neck or other parts of the body.
- If you experience numbness, tingling, pain or whitening of the skin in your fingers or hands, stop using the tool. Tell your employer and consult a physician.
- Wear warm clothing when working in cold conditions and keep your hands warm and dry.
- Exposure to vibration can cause disabling damage to the nerves and blood supply of the hands and arms.
- Do not use worn or ill-fitting sockets or extensions, as this is likely to cause a substantial increase in vibration.
- Do not touch sockets or accessories during impacting. This increases the risk of cuts, burns or vibration injuries.
- Use and maintain as recommended in the manual to prevent an unnecessary increase in vibration.
- Check the vibration level after each service. If higher than normal, contact your STANLEY dealer.

Hydraulic

- **Warning:** Hydraulic fluid under pressure could cause skin injection injury. Do not check for leaks with your hands. If you are injured by hydraulic fluid, get medical attention immediately.
- Do not let hydraulic oil get on the skin. Hydraulic oil is hot. Wear Personal Protection Equipment (PPE) at all times.
- If exposed to hydraulic fluid, wash hands immediately.
- Do not exceed the maximum relief valve setting stated on the tool.
- Inspect and clean couplers before use, daily. Replace damaged couplers immediately.
- Hydraulic circuit control valve must be OFF before coupling or uncoupling tools. Failure to do so may damage the couplers and cause overheating of the hydraulic system.
- Ensure the couplers are properly connected and are tight.
- Do not operate the tool at fluid temperatures above 140°F (60°C). Higher temperatures can cause operator discomfort and damage to the tool.
- Do not exceed the rated flow and pressure as stated on the tool. Rapid failure of the internal seals may result.

What is a DS12 Hydraulic Utility Saw

DS12 is a chain saw designed for ductile iron to plastic pipe. Utilizing a brazed layer diamond coating on a durable chain chassis, this technology provides improved access with far less excavation in a confined space such as cutting water main pipe in a ditch.

Specifications	
Pressure	2000 PSI (140 BAR)
Flow	7-9 GPM (140 BAR)
Max. Pressure	2000 PSI (140 BAR)
Max. Relief Pressure	2250 PSI (155 BAR)
Recommended Back Pressure	250 PSI (17 BAR) - Can be used with higher back pressures with reduced seal life.
Couplers	3/8 inch flush face
Port Size	-8 SAE O-ring
Drive Sprocket	.444 inch pitch - 12 teeth
Chain Pitch	.444 inches (11.3 mm)
Chain Gauge	.063 inches (1.6 mm)
Tool Weight	26 Lbs (11.8 Kg)
Tool Length	39.5 inches (100 cm)
Width (at handles)	9 inches
Max. Hydraulic Oil Temp.	140°F (60°C)
HTMA/EHTMA Category	Type II, Category D

Sound & Vibration Declaration	
Measured A-Weighted sound power level	108.6 dBA
Measured A-Weighted Sound Pressure	100.6 dBA
Uncertainty	3.39 dBA
Values determined according to noise test code given in ISO 15744 and 11203 using the basic standard ISO 3744. Test conducted by independent notified body to comply with 2000/14/EC:2005.	
Measured Vibration Emission Value: 3-Axis - Trigger Handle	5.0 m/s ²
Measured Vibration Emission Value: 3-Axis - Assist Handle	5.3 m/s ²
Uncertainty	2.3 m/s ²

Parts of a DS12 - Detail A

1	Chain
2	Saw Bar
3	Composite Safety Decal
4	Electrical Danger Decal
5	Hand Guard
6	Tool Handle
7	Trigger Lock
8	Male Hydraulic Coupler
9	Female Hydraulic Coupler
10	Water Hose
11	Trigger
12	Sound Power Level Decal
13	Serial Number and Tool Model
14	Tool Name Tag
15	Assist Handle

Tool Setup

WARNING

Chain saw chains and bars are very sharp. Do not touch without proper Personal Protective Equipment (PPE). Wear leather gloves and only grab the diamond segments of the chain when adjusting chain tension. Serious cuts and abrasions can occur.

WARNING

Do not install, change tool accessories or perform maintenance on the tool while the hydraulic power source is connected. Accidental engagement of the tool can cause serious injury. Disconnect the hydraulic power source and put the direction control in neutral before servicing.

Check & Adjust Chain Tension - Detail B

1. Power down the hydraulic power supply and disconnect it from the tool.

Check

2. Pull the chain around the bar by hand. You should be able to easily pull the chain around the bar. If the chain does not move, loosen the chain.
3. Measure how far the chain links hang from the saw bar.
4. If the links hang from the bar more than 1/2 inches (12 mm), then you must tighten the chain.

Adjust

5. Loosen the side cover nuts that hold the saw bar to the saw body.
- Note: Do not remove the nuts.
6. Tip bar up and adjust the tension screw.
 7. Re-perform the chain tension check and repeat if necessary.

Tool Operation - Detail C

Connect to Water

1. Connect a standard garden hose to the water connection.
- Note: Water pressure must be at least 20 PSI.

Connect to a Hydraulic Power Supply

2. Using a calibrated flow and pressure gauge, check the output of the hydraulic power source. Ensure it matches the flow and pressure in "Specifications" on page 6. Hydraulic fluid must be 50°F or above. Preheat if necessary.

Note: Proper hydraulic flow and pressure are necessary to ensure proper speed of the chain.

3. Ensure that the hydraulic power source is equipped with a relief valve set to open at the maximum relief pressure (see "Specifications" on page 6).
4. Wipe hose couplers with a clean, lint free cloth.
5. Connect the return hose to the male coupler.
6. Connect the pressure hose to the female coupler.
7. Ensure couplers are undamaged, properly connected and are tight.
8. Ensure the tool trigger is not engaged.
9. Power up the hydraulic power supply.

Plan the Cut

10. If cutting pipe 8 - 12 inches in diameter, STANLEY recommends using the pipe clamp accessory. See "Installing and Using the Saw Clamp Accessory" on page 10.
11. Ensure the chain guard and hand guard are installed and are not damaged. Disconnect the tool from the hydraulic power supply and replace immediately if missing or damaged.
12. Ensure the material being cut is clamped or otherwise secured so that it cannot move during the cut. Position the saw to avoid pinching the bar or chain as the material is cut.
13. Ensure that the cut can be made without the chain making contact with

the ground.

14. Mark the planned cut on the material.
15. Plan the cut so that you will not be injured by falling cut-off material.
16. Do not cut with excessive force. The chain could slow and stall, which could cause premature wear of the saw bar and chain.

Tool Use

17. Wrap your right hand around the trigger handle.
18. Wrap your left hand around the assist handle.

⚠WARNING

Keep all body parts away from the chain during operation. Moving chains are sharp and can cause death or serious injury.

19. Stand in the back of the tool.
20. Hold the tool with a light, but safe, grip taking account of the required hand-reaction forces, because the risk from vibration is generally greater when the grip force is higher.

Note: Hold the tool correctly and be ready to counteract normal or sudden movements. Have both hands available. Holding the tool correctly will help reduce kickback.

21. Lift the tool, holding the saw bar away from you.
22. Ensure the saw chain is not touching the material to be cut.
23. Hold down the trigger lock.
24. Slowly hold down the trigger.
25. Run the tool for at least two minutes. Ensure the tool is running properly. If considerable vibration or other defects are detected, stop operation immediately. Contact your STANLEY dealer for service.
26. Release the tool trigger to stop the tool. Do not operate the tool if it does not stop when the trigger is released. Immediately power down the hydraulic power supply. Contact your STANLEY dealer for service.

Note: Release the trigger in case of interruption of the hydraulic power supply.

27. Feed the saw into the material to be cut. Keep feed force over the center line of the saw.
28. During the cut, do not stand in the way of the water discharge as it can contain small pieces of material moving at high velocity.

Note: Do not feed the saw with force greater than 45 Lbs. (20 Kg).

29. When the cut is finished, release the trigger to stop the saw.

Installing and Using the Saw Clamp Accessory

⚠WARNING

Before cutting, ensure the pipe is in a safe condition to be cut. Support the work piece so that the cut remains open during the cutting operation and when finished. Pinching the chain can cause death, serious injury or chain damage.

⚠WARNING

The pipe clamp must be attached to the work piece so it does not move during the cutting operation and/or when the cut is finished. Unexpected movement of the clamp could cause loss of control of the saw and could result in death or serious injury to the operator.

⚠WARNING

Do not install, change tool accessories or perform maintenance on the tool while the hydraulic power source is connected. Accidental engagement of the tool can cause serious injury. Disconnect the hydraulic power source and put the direction control in neutral before servicing.

Installation

1. Disconnect the tool from the hydraulic power supply.
2. Remove the two nuts and washers that secure the chain guard to the saw and install the axle over the chain guard, then re-install the two nuts and washers. Install DS12 to the axle of the saw clamp over the chain guard.
3. Re-install the chain guard hardware.

Use

1. Place the clamp around the top of the pipe and hand tighten the adjustment nut.
2. Position the saw with the attached axle on the pipe clamp by sliding the saw clamp axle through the receiver hole at top of the clamp. Secure with a snap pin.
3. Ensure that the saw is positioned to allow the handle to pivot during the cut unobstructed and to ensure that the saw tip doesn't contact dirt. If necessary, reposition the saw clamp/saw assembly around the pipe to optimum cutting position.
4. Tighten the clamp nut with a wrench to ensure that clamp does not move during cutting operation.
5. When cutting is finished, remove the hydraulic power supply from the tool, then remove the tool from the clamp.

Cutting Tips

- Position the saw to avoid pinching the blade or the chain as the pipe is cut. Support both ends of the pipe to prevent movement and possible injury to the operator.
- Hold the saw so that the chain isn't in contact with the pipe. Start the water and activate the saw to full power. Press the chain against the pipe slowly, applying pressure to cut through the pipe.
- Pressure can be applied to the cut until the saw motor starts to lug.

Maintenance

⚠WARNING

Chain saw chains and bars are very sharp. Do not touch without proper Personal Protective Equipment (PPE). Wear leather gloves and only grab the diamond segments of the chain when adjusting chain tension. Serious cuts and abrasions can occur.

⚠WARNING

Do not install, change tool accessories or perform maintenance on the tool while the hydraulic power source is connected. Accidental engagement of the tool can cause serious injury. Disconnect the hydraulic power source and put the direction control in neutral before servicing.

Daily Maintenance

1. Check chain tension and adjust if necessary. See "Check & Adjust Chain Tension - Detail B" on page 9.
2. Check all hydraulic connections for damage. Replace if damaged.
3. Ensure the chain guard and hand guard are in place and are not damaged. Replace if missing or damaged.
4. Oil the chain to prevent rust.

Check for Saw Bar Wear - Detail D

The saw bar can develop a bur on the edge of the saw bar channel. If a bur develops, redress the saw bar.

1. Disconnect the tool from the hydraulic power supply.
2. Remove the saw bar and chain, as shown in Detail "E" on page 4.
3. Using a square, ensure the saw bar channel is square.
4. If a bur exists, use a flat file to file off the bur until the saw bar channel is square.
5. Check the saw bar bows or bends. If found, replace the saw bar.
6. Periodically remove the saw bar and rotate it. This will allow the saw bar

to wear evenly.

Replacing the Chain and Bar - Detail E

1. Disconnect the tool from the hydraulic power supply.
2. Loosen the chain tension screw.
3. Remove the saw bar and chain.
4. Replace the chain or bar. See "Accessories" on page 11.
5. Reassemble the saw bar and tension the chain as shown in "Check & Adjust Chain Tension - Detail B" on page 9.

Tool Storage & Transport

Storage

Place a cover over the saw bar and chain. Plug open hydraulic ports. Clean the tool and store in a clean, dry space that is safe from damage.

Transport

Never transport tool with the hydraulic power supply connected. Secure the tool to the transport vehicle. Lift only as high as necessary to load. NEVER lift or transport over people. Ensure tool is secured and will not move during transport. An unsecured tool could cause personal injury or damage to the tool.

Tool Disposal

Hydraulic Oil

Hydraulic oil can contaminate the air, ground and water if not properly recycled. Recycle hydraulic oil in accordance with all State, Federal and local laws, at your local oil recycling facility.

Hydraulic Hoses

Hang hydraulic hoses to drain. Collect the oil for recycling. Contact your local municipal recycling authorities for an approved hydraulic hose recycling site.

Tool Body

Drain hydraulic oil from the tool, making sure to collect the oil for recycling. Disassemble the tool and dispose of all non-metal parts. Recycle the metal components. Contact your local municipal recycling authorities for recycling instructions.

Accessories

Description	Part Number
18 inch Saw Bar	71047
18 inch Chain	71048
Replacement drive sprocket	71046
Water Flow Meter, 0-7 GPM	60859
25 feet, 1/2 inch Dual Hose with Couplers	31972
50 feet, 1/2 inch Dual Hose with Couplers	31848
3/8 inch Coupler Set	03971
Pipe Clamp Assembly	71055
12 VDC Water Pump w/ Battery Clips	DPC30101
12 VDC Water Pump w/ DC Plug	DPC30100

Troubleshooting

Problem	Possible Cause	Solution
Tool vibrates and cuts rough.	Loose chain tension	Tension chain. See "Check & Adjust Chain Tension - Detail B" on page 9
	Too much force while cutting.	Do not use cutting force over 45 Lbs. (20 Kg).

Problem	Possible Cause	Solution
Tool does not cut straight.	Force is not applied directly over the center line of the saw.	Hold the assist handle closer to the center line of the saw bar.
	Accumulated saw bar wear or chain wear	Check saw bar for wear and redress if necessary (see "Check for Saw Bar Wear - Detail D" on page 10). Replace the chain and bar if necessary (see "Replacing the Chain and Bar - Detail E" on page 11).
Tool does not run.	Hydraulic power source is not functioning.	Ensure the power source delivers proper flow and pressure. See "Specifications" on page 9.
	Hydraulic hoses or couplers are blocked.	Remove hydraulic power from the tool. Inspect the hoses and couplers for obstruction.
	Mechanical failure.	Contact your STANLEY dealer for service.
Tool runs backwards.	Hydraulic hoses are reversed.	Power down the hydraulic power supply and connect hoses as shown in "Connect to a Hydraulic Power Supply" on page 9
Trigger is hard to press.	Hydraulic hoses are reversed.	Power down the hydraulic power supply and connect hoses as shown in "Connect to a Hydraulic Power Supply" on page 9
	Excessive back pressure	Ensure back pressure is not greater than specified in "Specifications" on page 9.
Tool runs too slow or lacks power.	Hydraulic power source is not functioning.	Ensure the power source delivers proper flow and pressure. See "Specifications" on page 9.
Hydraulic oil is leaking from the tool	Seal failure	Contact your STANLEY dealer for service.

STANLEY®

STANLEY Infrastructure
6430 SE Lake Road, Portland, Oregon 97222 USA
(503) 659-5660 / Fax (503) 652-1780
www.stanleyinfrastructure.com