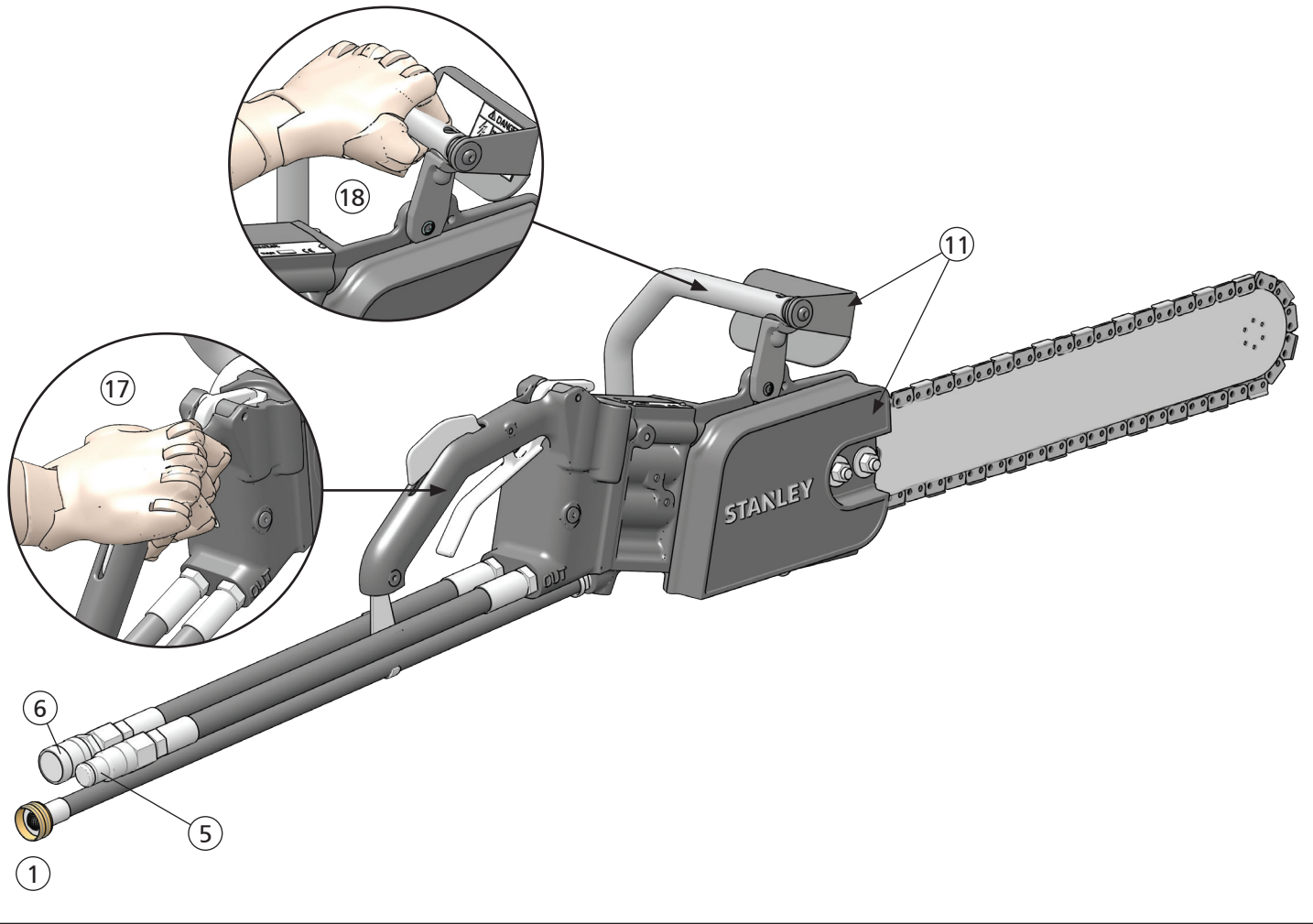
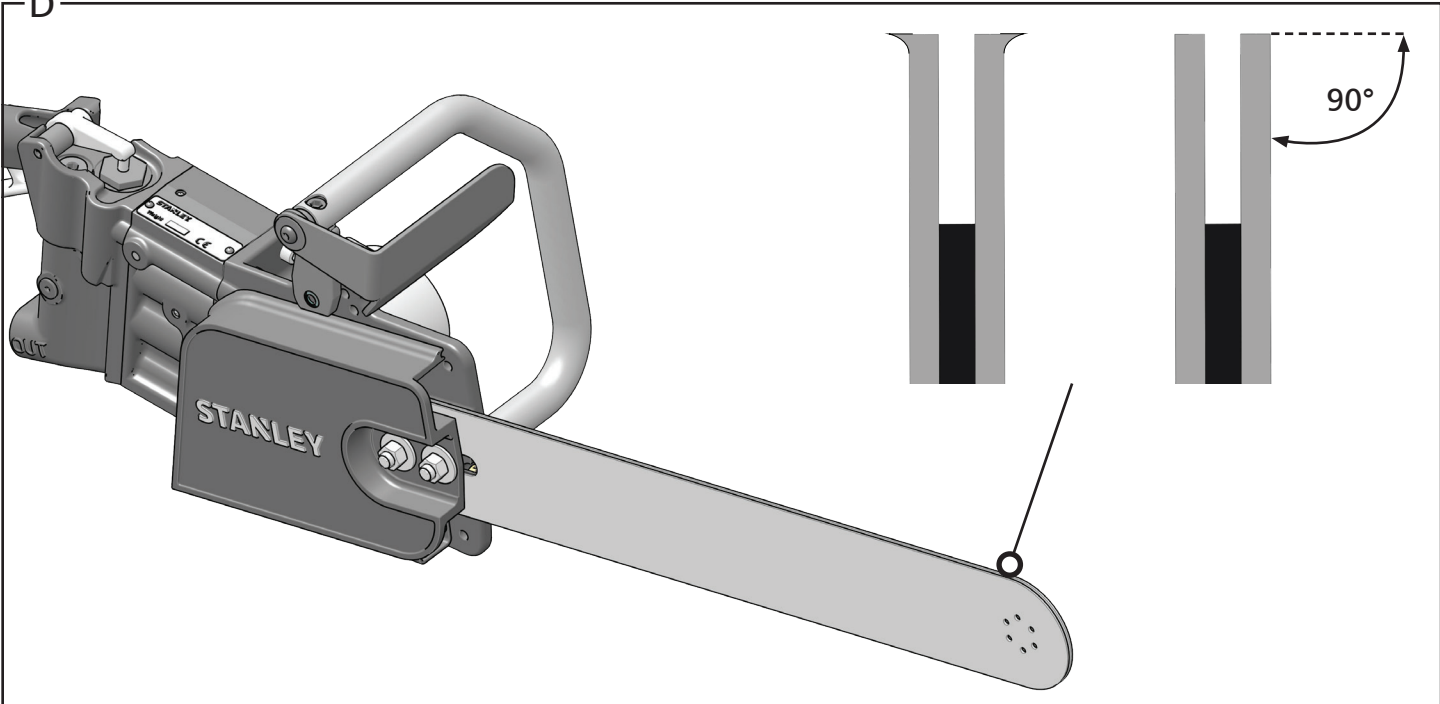


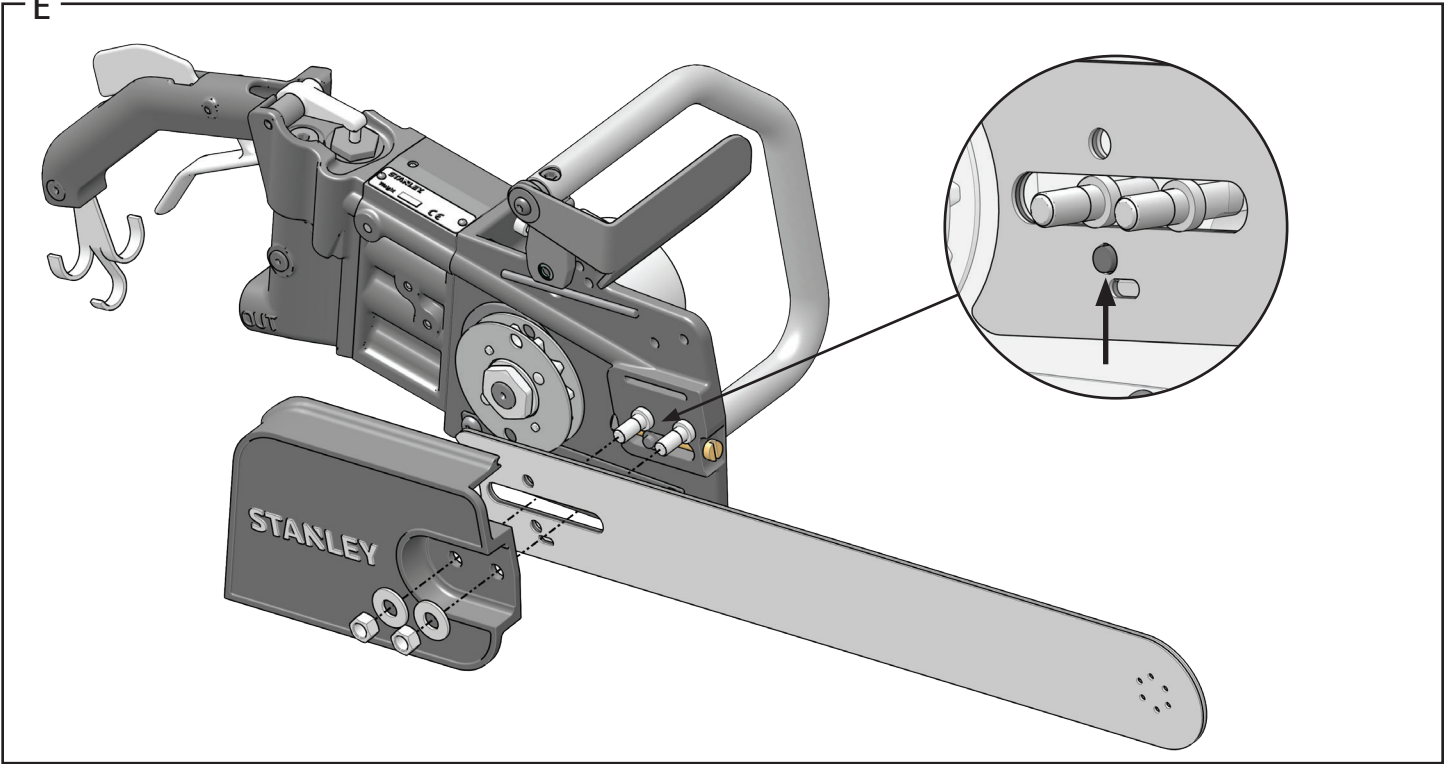
C



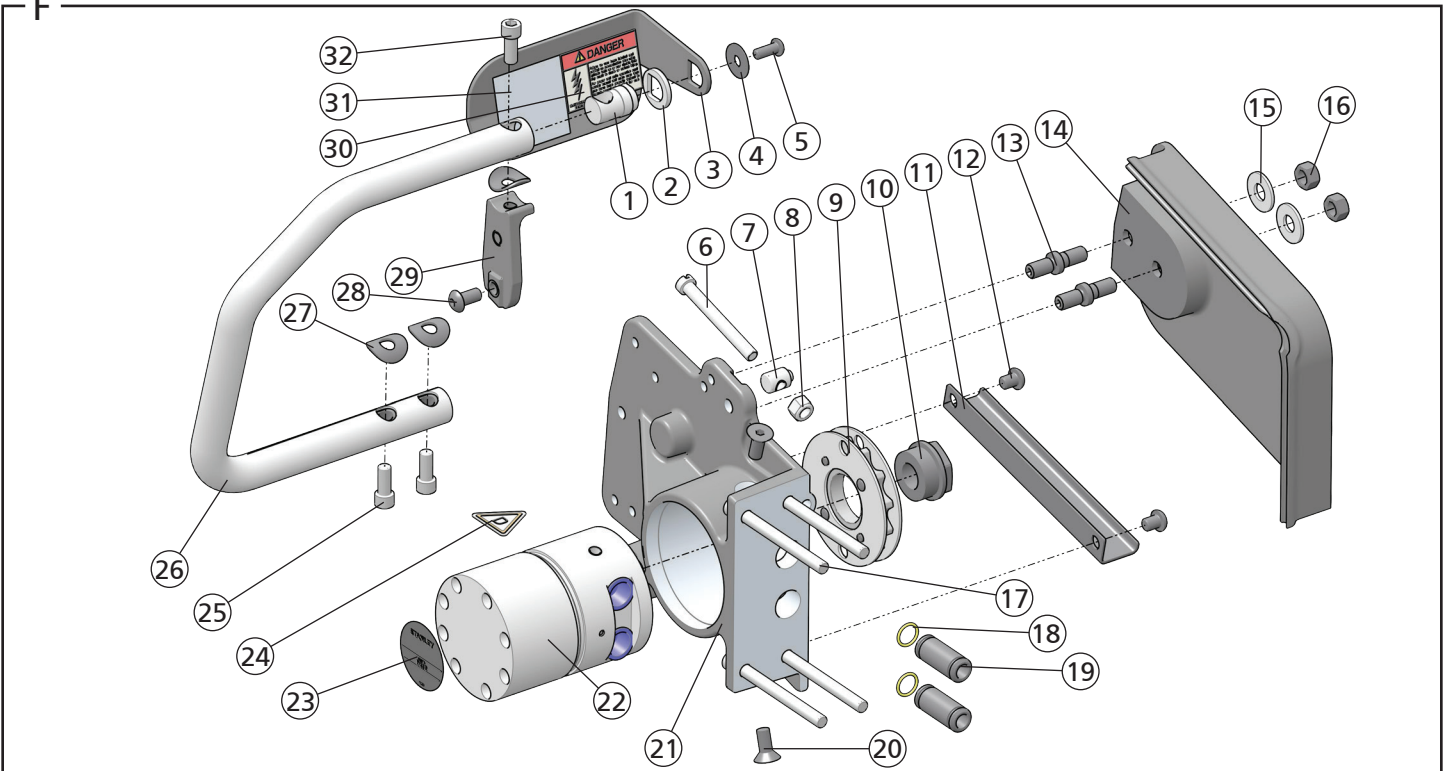
D

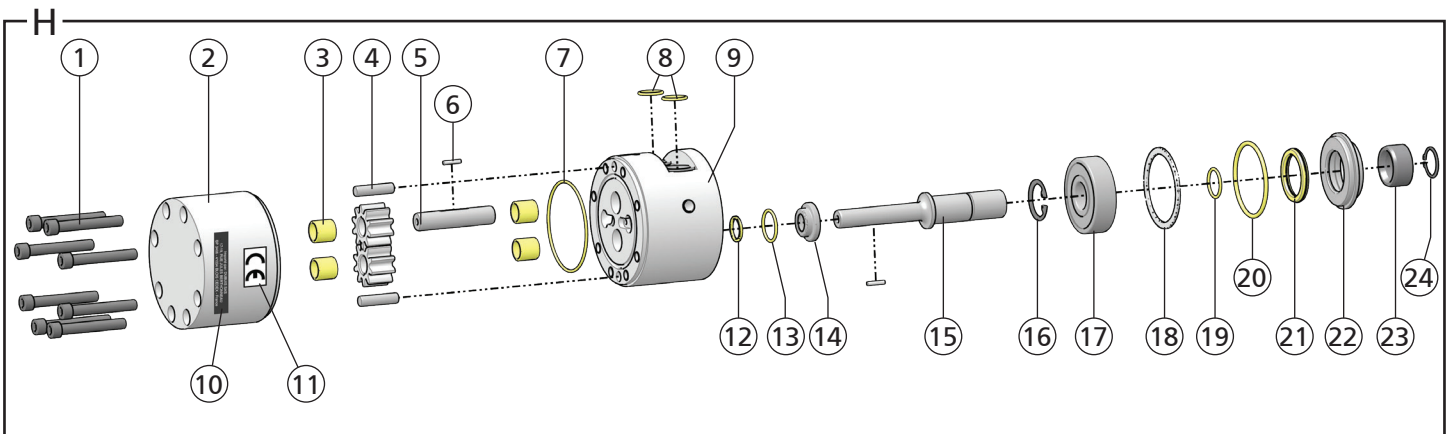
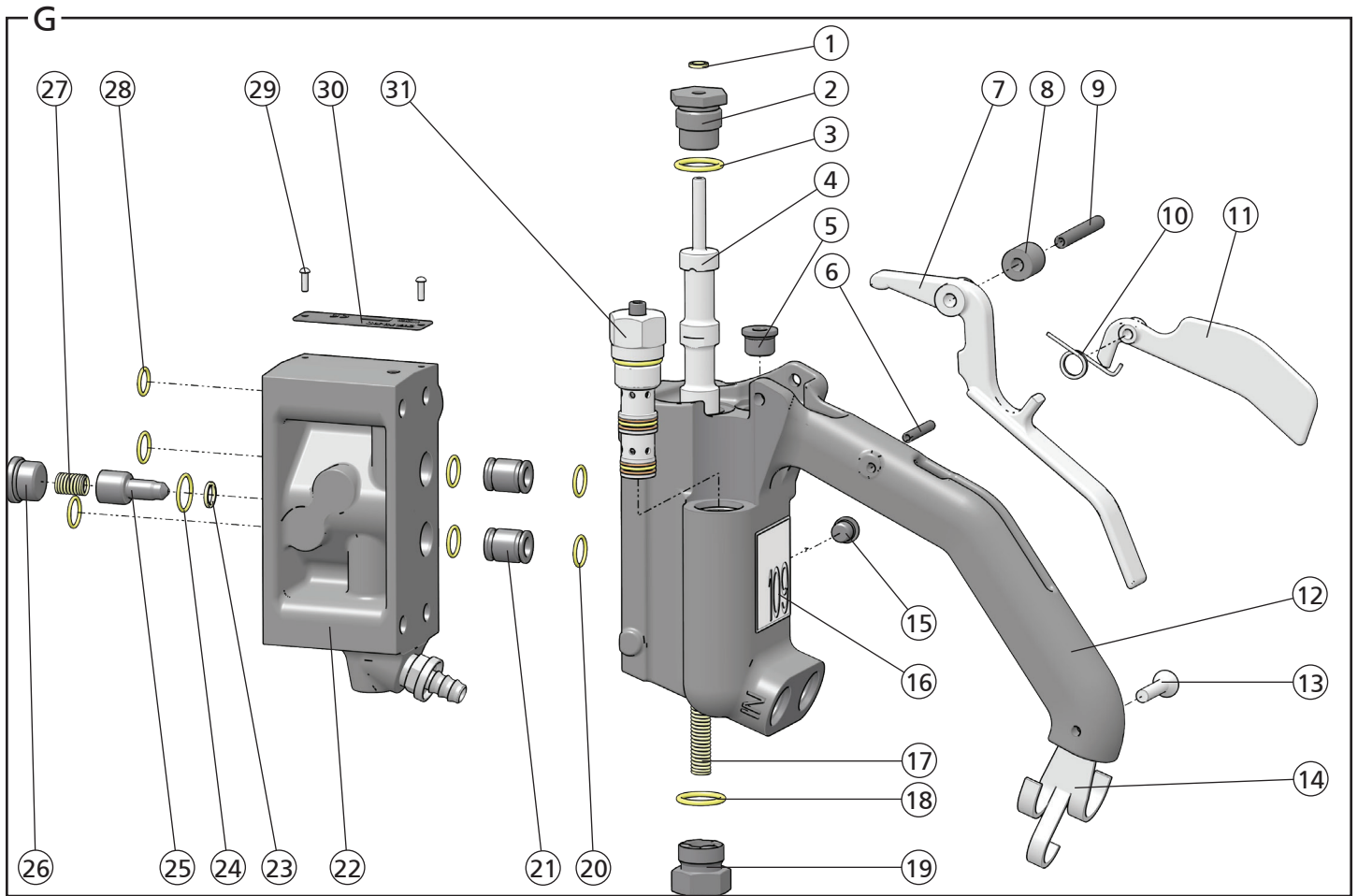


E



F





DS12 Main Body Parts Illustration - Detail F			
ITEM	P/N	DESCRIPTION	Qty
1	81779	Handle Retainer	1
2	73583	Hand Guard Spacer	1
3	73582	Hand Guard	1
4	33261	Washer	1
5	33260	Cap Screw - 1/4-20 X 5/8	1
6	22714	Fill Head Screw - 5/16-18 X 2.750	1
7	22702	Bar Adjustment Nut	1
8	22752	Nylock Nut - 5/16-18Unc	1
9	71046	Chain Sprocket	1
10	20471	Trantorque Adapter - Torque To 23-30 Ft. Lbs.	1
11	22945	Chain Cover	1
12	23196	Cap Screw - 5/16-18 X 3/8	2
13	20465	Stud	2
14	71051	Chain Guard	1
15	02766	Washer	2
16	03276	Hex Nut - 3/8-16Unc	2
17	01758	Cap Screw - 5/16-18 X 3.50	4
18	00175	O-Ring - 1/2 X 5/8 X 1/16-014*	8
19	02912	Oil Tube	2
20	03006	Cap Screw - 5/16-18 X 3/4	2
21	22713	Chain Saw Adapter	1
22	25688	Motor Assembly	1
23	74773	Tool Name Tag	1
24	11207	Circuit Type "D" Sticker	1
25	02764	Cap Screw - 5/16-18 X 3/4	2
26	02936	Handle	1
27	02643	Washer	3
28	22715	Cap Screw - 5/16-18 X 5/8	1
29	20461	Handle Strut Assembly	1
30	12412	Electrical Danger Sticker	1
31	88347	Composite Safety Sticker	1
32	02764	Cap Screw - 5/16-18 X 3/4	3
33	22798	Seal Kit (not shown) - *In seal kit	-

DS12 Handle Parts Illustration - Detail G			
ITEM	P/N	DESCRIPTION	Qty
34	00112	Quad Ring - 1/4 x 3/8 x 1/16-010*	1
35	02931	ON/OFF Valve Cap	1
36	01604	O-ring - .755 x .949 x .097-910*	2
37	02925	Valve Spool	1
38	08104	Hex Plug	1
39	74841	Roll Pin	1
40	22707	Trigger	1
41	02920	ON/OFF Valve Spacer	1
42	31804	Roll Pin	1
43	22701	Spring	1
44	22704	Safety Catch	1
45	28552	Valve Handle Assembly - Includes part 08104. Must purchase with part 74841.	1

DS12 Handle Parts Illustration - Detail G			
ITEM	P/N	DESCRIPTION	Qty
46	00787	Cap Screw - 1/4-20 x 1.250	1
47	20459	Hose Clip	1
48	350023	Hex Plug	1
49	88358	Sound Power Decal	1
50	02916	Spring	1
51	01604	O-ring - .755 x .949 x .097-910	2
52	09437	Plug	1
53	00175	O-ring - 1/2 x 5/8 x 1/16-014	8
54	00174	Oil Tube	2
55	20453	Extension Housing Assembly	1
56	25260	O-ring - 3/8 x 1/2 x 1/16-012*	1
57	01211	O-ring - 5/8 x 3/4 x 1/16-016*	1
58	20463	Water Valve	1
59	350237	Hex Plug	1
60	20458	Spring	1
61	00018	O-ring - 7/16 x 9/16 x 1/16-013*	1
62	02004	Drive Screw	2
63	76544	CE Tool Plate	1
64	71799	Flow Relief Cartridge	1
65	09612	Caution Sticker (Not Shown)	1
66	22798	Seal Kit (not shown) - *In seal kit	-

DS12 Motor Parts Illustration - Detail H			
ITEM	P/N	DESCRIPTION	Qty
1	00208	Cap Screw	8
2	06861	Gear Housing	1
3	06316	Bushing	4
4	00713	Dowel Pin	2
5	73308	Idle Shaft	1
6	03227	Dowel Pin	2
7	00178	O-ring	1
8	00175	O-ring	2
9	21417	Front Bearing Housing	1
10	88345	Importer Label - Model DS1231801	1
11	28323	CE Label - Model DS1231801	1
12	00669	Quad Ring	1
13	350771	O-ring	1
14	19884	Seal Gland	1
15	20466	Motor Shaft	1
16	00170	Retaining Ring	1
17	00148	Bearing	1
18	00633	Retaining Ring	1
19	01211	O-ring	1
20	02905	O-ring	1
21	03110	Rotary Shaft Seal	1
22	03104	Keeper Seal & Bearing	1
23	03280	Spacer	1
24	20472	Retaining Ring	1