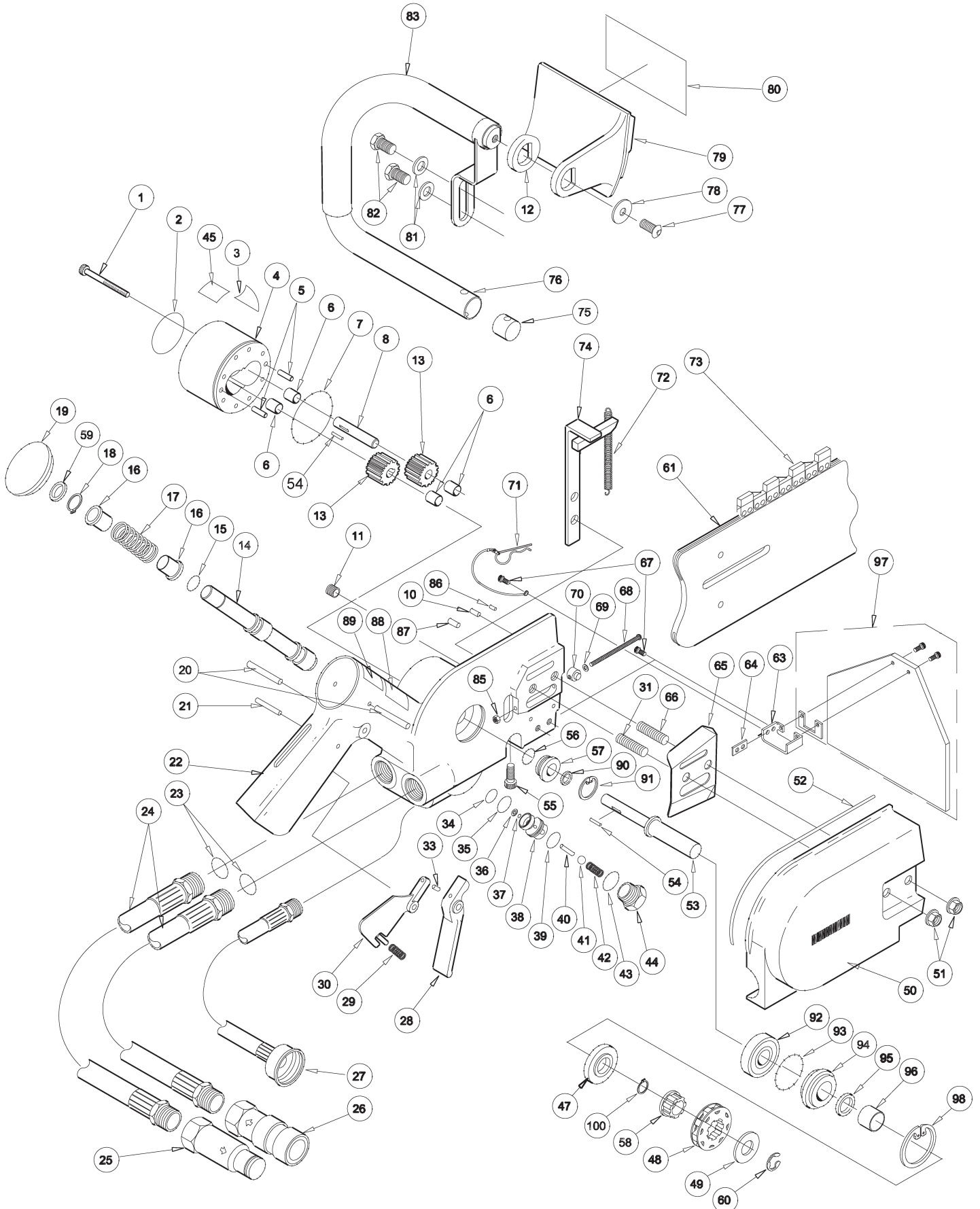


# DS06 PARTS ILLUSTRATION



# DS06 PARTS LIST

ITEM	PART NO.	QTY	DESCRIPTION
1	00753	8	SHCS 10-24 UNC × 1-1/4
2	73659	1	NAME TAG (5-GPM MODELS)
	74806		NAME TAG (8-GPM MODELS)
3	11207	1	CIRCUIT D DECAL (8-GPM MODEL)
	11206		CIRCUIT C DECAL (5-GPM MODEL)
4	07652	1	REAR GEAR HOUSING ASSY (INCL ITEMS 5-6, 8-GPM MODEL ONLY)
	07834	1	REAR GEAR HOUSING ASSY (INCL ITEMS 5-6, 5-GPM MODEL ONLY)
5	00289	2	DOWEL PIN
6	04041	4	BUSHING
7	00020	1	O-RING
8	07612	1	IDLER SHAFT
9	—	—	NO ITEM
10	32190	1	PIVOT PIN
11	00961	1	PIPE PLUG
12	73583	1	HAND GUARD SPACER
13	04106	2	DRIVE GEAR (8-GPM MODEL ONLY)
	07832	2	DRIVE GEAR (5-GPM MODEL ONLY)
14	32207	1	ON/OFF VALVE
15	07626	1	O-RING
16	07609	2	SPRING WASHER
17	34119	1	SPRING
18	04512	1	RETAINING RING, 1/2 EX
19	07625	1	PLUG BUTTON
20	17668	2	ROLL PIN
21	07624	1	ROLL PIN, 3/16 × 1
22	73656	1	VALVE HANDLE ASSY (INCL ITEMS 6, 31, 66)
23	01605	—	O-RING (SUPPLIED W/ ITEM 24)
24	01652	2	PIGTAIL HOSE ASSY
25	03973	1	MALE COUPLER
26	03972	1	FEMALE COUPLER
27	33443	1	WATER HOSE ASSY
28	58879	1	TRIGGER
29	07602	1	SPRING
30	34105	1	SAFETY CATCH
31	32197	1	STUD (SUPPLIED W/ ITEM 22)
32	—	—	NO ITEM
33	00072	1	ROLL PIN
34	07627	1	O-RING
35	00074	1	O-RING
36	33488	1	SELF-LOCKING RETAINING RING
37	05632	1	O-RING
38	58970	1	WATER VALVE SLEEVE
39	01403	1	O-RING

ITEM	PART NO.	QTY	DESCRIPTION
40	33380	1	PIN
41	36259	1	STEEL BALL, 3/8" DIA.
42	32188	1	SPRING
43	04052	1	O-RING
44	32189	1	SEAL CAP
45	28323	1	CE DECAL
46	—	—	NO ITEM
47	38898	1	SEAL SPACER
48	09098	1	SPROCKET
49	41765	1	WASHER
50	73658	1	CHAIN GUARD
51	32203	2	NUT
52	35181	1	CORD STOCK, 3/16" DIA.
53	43690	1	MOTOR SHAFT (SEE ITEM #60 FOR SERIAL NO. BREAK)
54	04044	2	NEEDLE ROLLER
55	02688	1	SHCS 5/16 -18 UNC × 3/4
56	60804	1	O-RING
57	19215	1	SEAL BACK-UP WASHER
58	43689	1	SPROCKET ADAPTER
59	58969	1	WIPER SEAL
60	66299	1	SPIRAL RETAINER RING
61	—	—	SAW BAR (SEE ACCESSORIES)
62	—	—	NO ITEM
63	32196	1	FLAP MOUNT
64	33219	1	SPACER
65	32192	1	CHAIN GUIDE PLATE
66	32245	1	STUD (SUPPLIED W/ ITEM 22)
67	58968	2	SHCS 1/4 -20 UNC × 5/8
68	02687	1	MACHINE SCREW
69	32191	1	STAT-O-SEAL
70	32198	1	BAR ADJUSTMENT NUT
71	33481	1	WALL WALKER CLEVIS PIN
72	—	—	SPRING (INCL W/ ITEM 74)
73	—	—	CHAIN (SEE ACCESSORIES)
74	32206	1	WALL WALKER
75	02649	1	HANDLE BAR RETAINER
76	33229	1	HANDLE WELDMENT
77	33260	1	BHCS 1/4 -20 × .625 ZINC
78	33261	1	FENDER WASHER
79	73582	1	HAND GUARD
80	12412	1	ELECTRICAL WARNING DECAL
81	12175	2	WASHER
82	33454	2	HHCS 5/16 -18 × 5/8 ZINC
83	33263	1	HANDLE GRIP

# DS06 PARTS LIST

ITEM	PART NO.	QTY	DESCRIPTION
84	—	—	NO ITEM
85	17134	1	NUT, 1/4 -20 HHD LT SST
86	31614	1	SPIROL PIN
87	30635	1	SPIROL PIN, 5/16 × 7/8
88	28409	1	COMPOSITE DECAL (CE)
89	81438	1	SOUND POWER LEVEL DECAL (CE)
90	00173	1	QUAD RING
91	04856	1	RETAINING RING
92	35965	1	BEARING
93	00621	1	O-RING
94	38897	1	SEAL WASHER
95	39070	1	V-RING
96	38700	1	SEAL RING
97	65797	1	FLAP KIT DS06
98	07324	1	RETAINING RING
99	37793	1	EXTENSION SPRING ANCHOR
100	41764	1	RETAINING RING
	33360	1	SEAL KIT