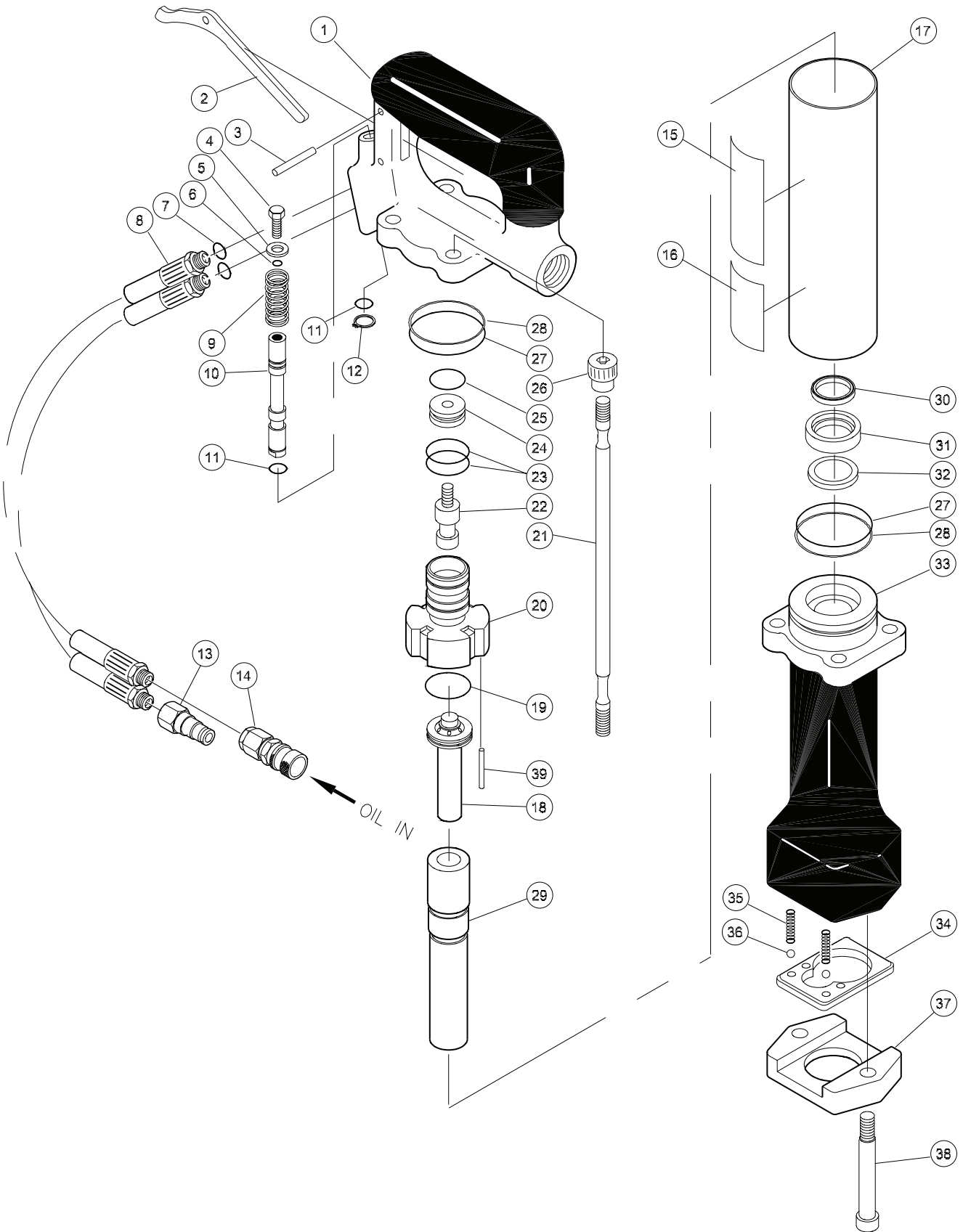


DR19 PARTS ILLUSTRATION



DR19 PARTS LIST

ITEM	PART NO.	QTY	DESCRIPTION
1	02890	1	HANDLE BODY ASSEMBLY
2	02853	1	TRIGGER
3	24316	1	DOWEL PIN 3/16 × 1-1/2
4	02959	1	SPOOL SCREW
5	24348	1	WASHER
6	02901	1	O-RING .239 × .367 × .064
7	03252	2	O-RING 7/16 × 9/16 × 1/16
8	01412	2	HOSE ASSEMBLY
9	02846	1	SPRING
10	02881	1	ON/OFF SPOOL, OPEN CENTER
11	03252	2	O-RING
12	00752	1	RETAINING RING 7/16 EXT
13	03973	1	MALE COUPLER BODY
14	03972	1	FEMALE COUPLER BODY
15	28853	1	NAME TAG
16	03786	1	GPM STICKER
17	71475	1	FLOW SLEEVE ASSEMBLY
18	03958	1	OIL TUBE
19	01259	1	O-RING 1-1/2 × 1-5/8 × 1/16
20	03253	1	VALVE BODY
21	02848	4	BOLT ASSEMBLY
22	02880	1	REVERSING SPOOL
23	00211	2	O-RING 1 × 1-1/8 × 1/16
24	03254	1	VALVE GLAND
25	01772	1	O-RING 3/4 × 7/8 × 1/16
26	02454	4	ALLEN NUT (INCL WITH ITEM 21)
27	02177	1	O-RING 2-1/16 × 2-1/4 × 3/32
28	02865	1	BACK-UP RING
29	03959	1	PISTON
30	02907	1	ROD SEAL 1-1/4 × 1-1/2 × 5/16 × 3/16
31	04175	1	INSERT
32	03127	1	WIPER RING
33	03537	1	RETAINING NOSE ASSEMBLY
34	03536	1	RETAINER
35	03190	2	SPRING
36	02436	2	BALL
37	03552	1	RETAINER CAP
38	03553	2	CAPSCREW 3/8 × 24 × 2-1/2
39	02843	1	PIN

SEAL KIT PART NUMBER 03843		
02901	O-RING	1
03252	O-RING	2
02865	BACK-UP RING	2
02177	O-RING	2
03127	ROD WIPER	1
02302	ROD SEAL	1
01259	O-RING	1
01772	O-RING	1
00211	O-RING	2
02907	ROD SEAL	1

REPAIR KIT PART NUMBER 03943		
00752	RETAINING RING	1
02848	BOLT ASSEMBLY	2
02843	PIN	1
03536	RETAINER	1
03190	SPRING	2
02436	BALL	2
03331	SEAL KIT	1