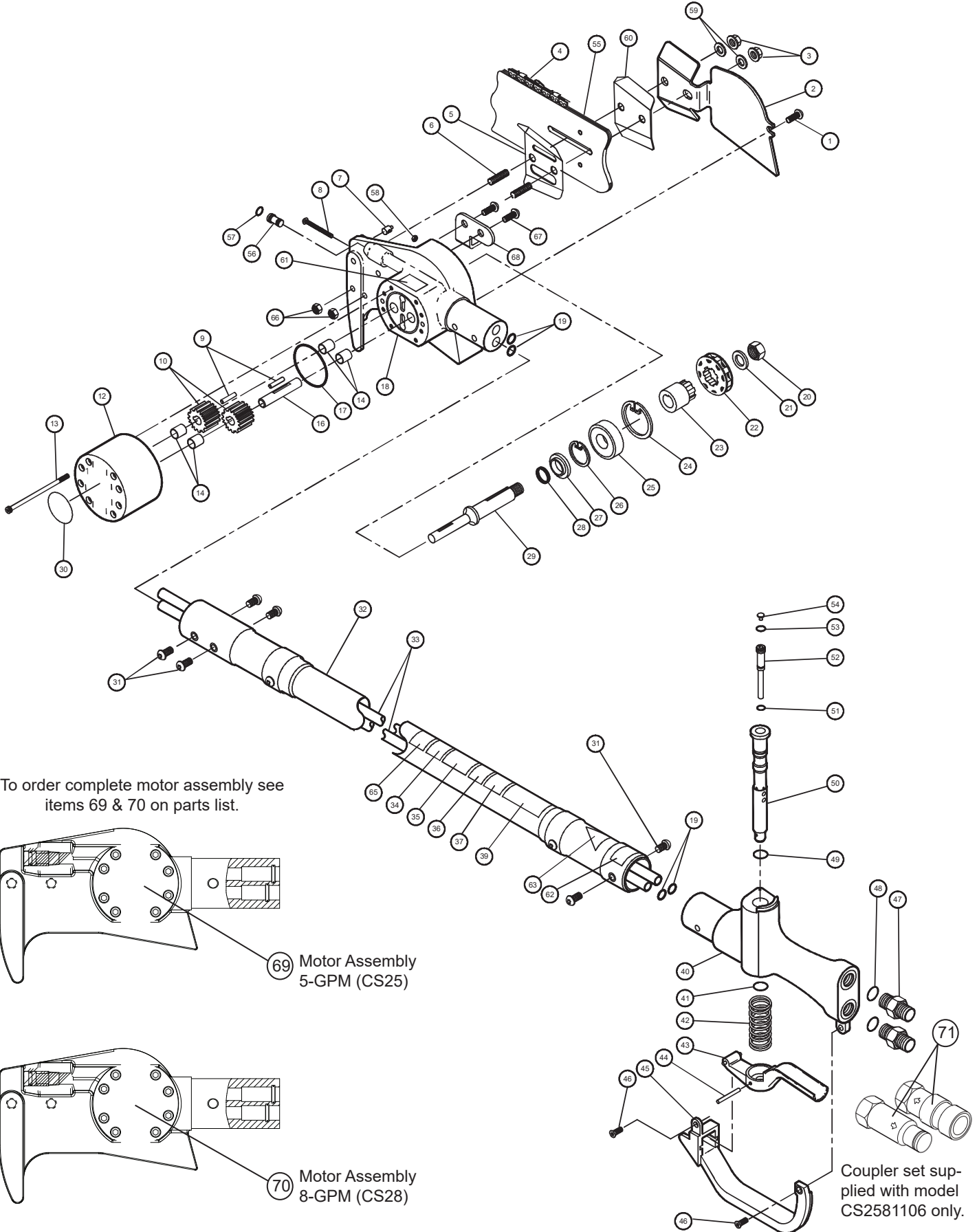


CS25 / CS28 PARTS ILLUSTRATION



To order complete motor assembly see items 69 & 70 on parts list.

69 Motor Assembly 5-GPM (CS25)

70 Motor Assembly 8-GPM (CS28)

Coupler set supplied with model CS2581106 only.

CS25 / CS28 PARTS LIST

ITEM	PART NO.	QTY	DESCRIPTION
1	19212	1	CAPSCREW
2	76599	1	CHAIN GUARD
3	07631	2	NUT
4	08348	1	SAW CHAIN – 12 INCH
	07641	1	SAW CHAIN – 15 INCH
5	66577	1	CHAIN GUIDE PLATE
6	07630	2	STUD
7	07620	1	BAR ADJUSTMENT NUT
8	07632	1	SCREW
9	04044	2	NEEDLE ROLLER
10	04106	2	DRIVER GEAR (8 GPM)
	07832	2	DRIVER GEAR (5 GPM)
11	—	—	NO ITEM
12	07652	1	REAR GEAR HOUSING ASSY (8 GPM)
	07834	1	REAR GEAR HOUSING ASSY (5 GPM)
13	00753	8	CAPSCREW
14	04041	4	BUSHING
15	—	—	NO ITEM
16	07612	1	IDLER SHAFT
17	00020	1	O-RING*
18	66201	1	MOTOR HOUSING SERVICE ASSY
19	16668	4	O-RING*
20	00453	1	NUT
21	07617	1	WASHER
22	07629	1	RIM SPROCKET
23	07616	1	SPROCKET ADAPTER
24	06635	1	RETAINING RING
25	00335	1	BEARING
26	04856	1	RETAINING RING
27	07615	1	SEAL BACK-UP WASHER
28	04037	1	SEAL*
29	60975	1	MOTOR SHAFT
30	74752	1	NAME TAG – CS25
	74753	1	NAME TAG – CS28
31	18089	6	CAPSCREW
32	65937	1	OUTER TUBE ASSY – CS258X1
	65936	1	OUTER TUBE ASSY – CS258X2
	60973	1	OUTER TUBE ASSY – CS288X1
	62237	1	OUTER TUBE ASSY – CS288X2
33	00042	2	OIL TUBE ASSY – CS2X8X1
	62238	2	OIL TUBE ASSY – CS2X8X2
34	NA	1	DIELECTRIC TEST DECAL
35	15863	1	WARNING DECAL
36	74754	1	STANLEY DECAL
37	03786	1	7-9 GPM DECAL

ITEM	PART NO.	QTY	DESCRIPTION
	03782	1	4-6 GPM DECAL
39	12412	1	ELECTRIC WARNING DECAL
40	24833	1	HANDLE ASSY (NOTE: DOES NOT COME WITH SPOOL OR O-RING)
41	07627	1	O-RING*
42	19868	1	SPRING
43	51183	1	TRIGGER
44	01534	1	ROLL PIN
45	51182	1	TRIGGER GUARD
46	22147	2	CAPSCREW
47	00936	2	ADAPTER
48	01605	2	O-RING*
49	07626	1	O-RING*
50	19874	1	VALVE SPOOL
51	00026	1	O-RING*
52	19875	1	SELECTOR SPOOL
53	16070	1	RETAINING RING*
54	26414	1	LOCK OUT KIT
55	08347	1	SAW BAR – 12 IN
	07638	1	SAW BAR – 15 IN
56	02921	1	AUTOMATIC OILER
57	01362	1	O-RING*
58	06971	1	LOCK NUT
59	02634	2	WASHER
60	66578	1	CHAIN GUIDE
61	04746	1	AUTOMATIC OILER DECAL
66	00038	2	NUT, 8 FT. LBS. TORQUE - LOCTITE 263
67	33260	2	CAPSCREW, 4 FT. LBS. TORQUE - LOCTITE 263
68	76819	1	CHAIN CATCHER
69	73196	1	CS25 MOTOR ASSY (5-GPM) SEE NOTE BELOW
70	73195	1	CS28 MOTOR ASSY (8-GPM) SEE NOTE BELOW
71	03971	1	COUPLER SET (MALE & FEMALE)
	03693	1	CLOSED-CENTER DECAL (NOT ILLUSTRATED)
SK	21053	1	SEAL KIT

* Denotes Part in Seal Kit

Note: To order the full motor assembly which includes the following items: 6 thru 29 and 56 thru 58.