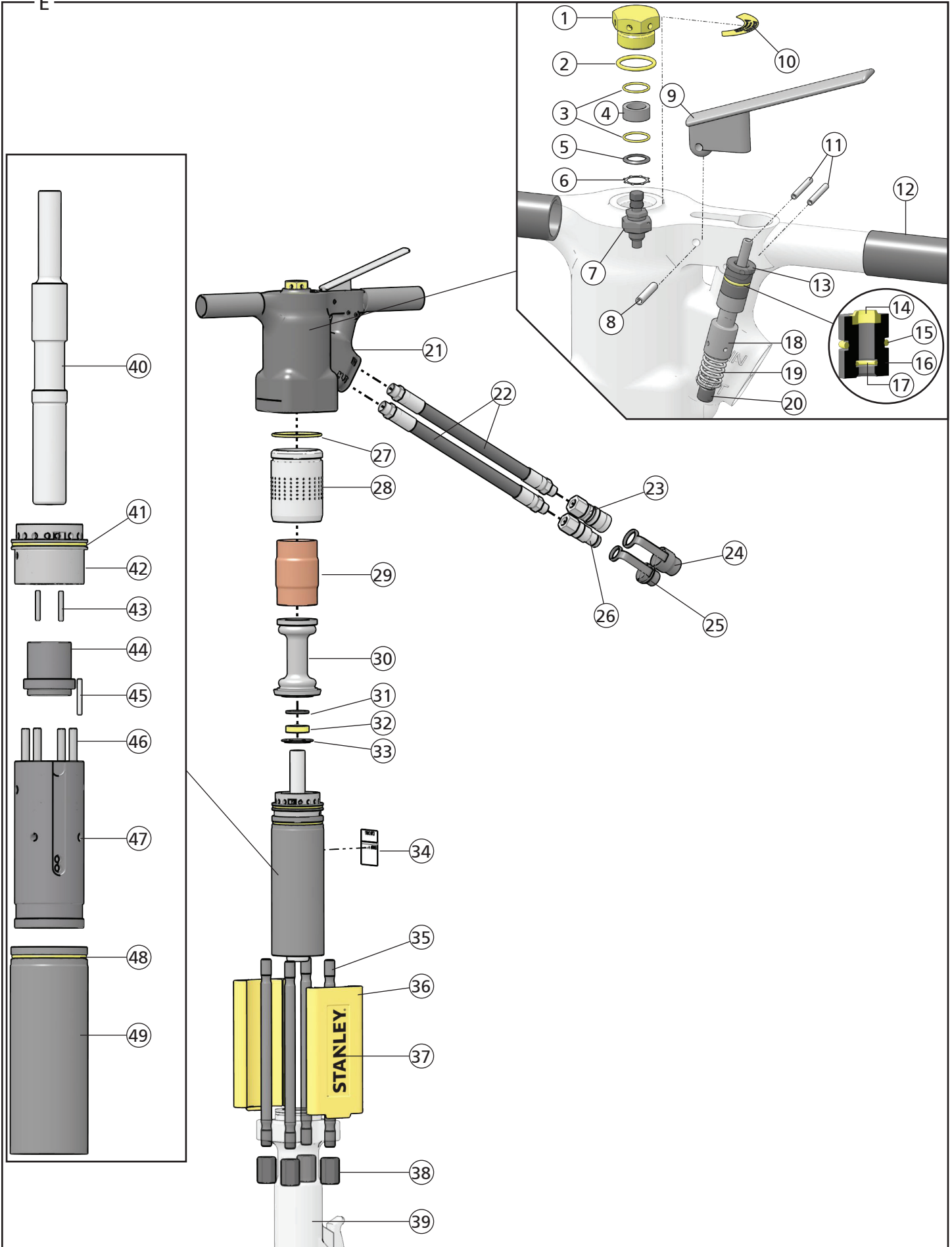
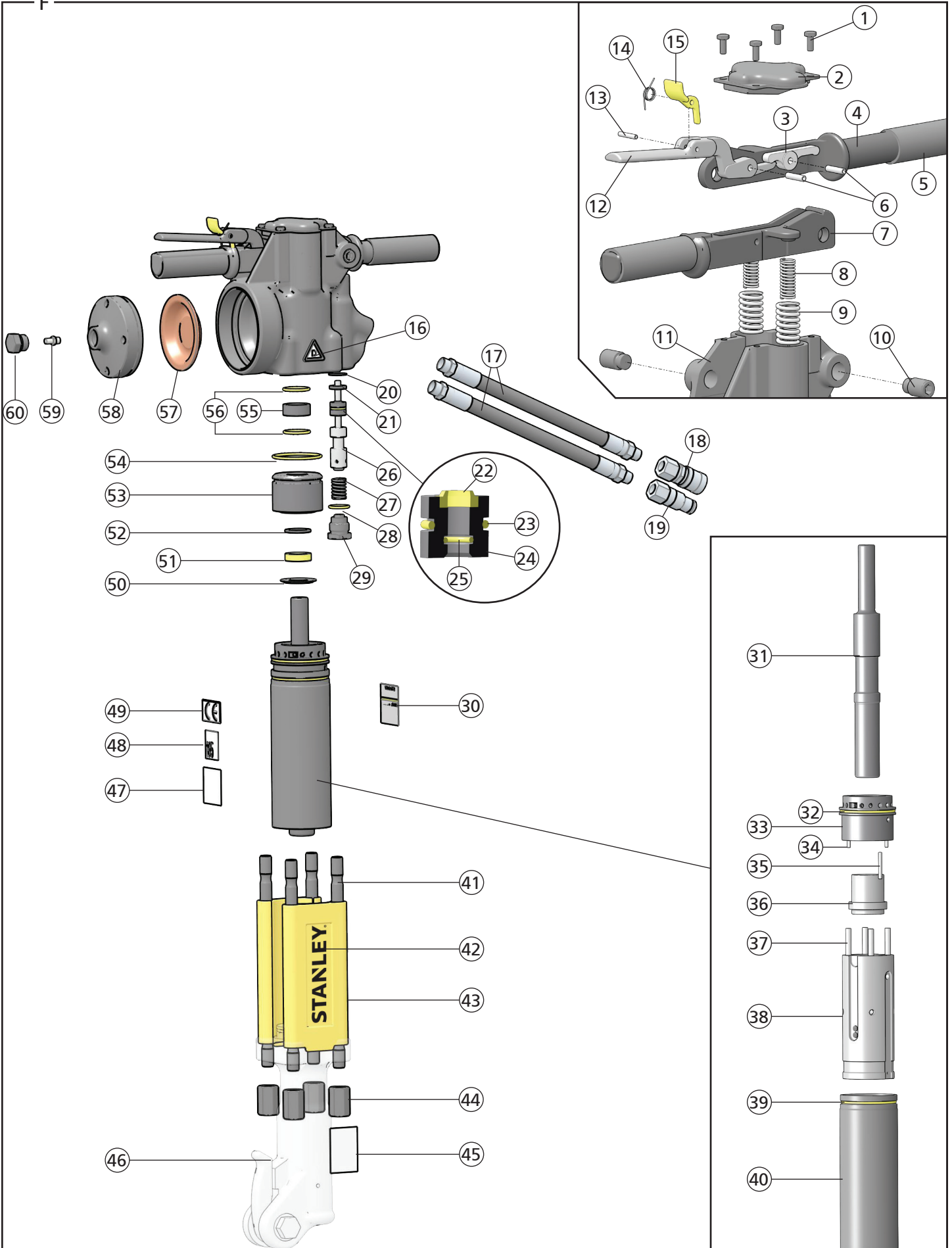
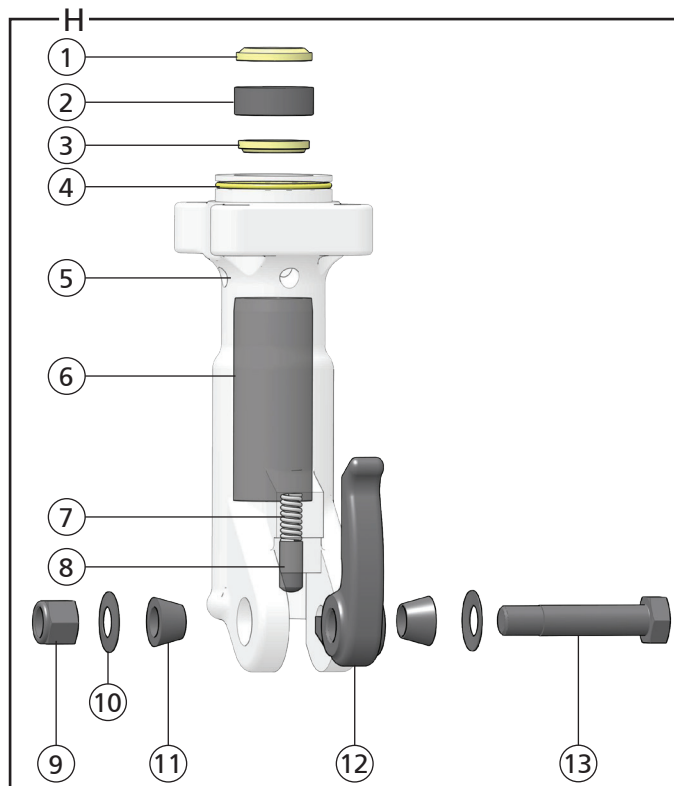
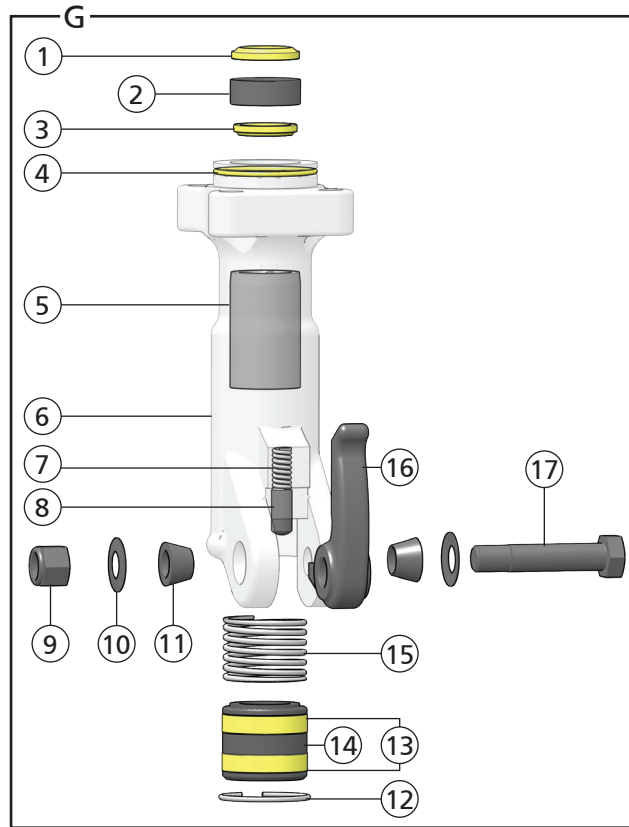


E







T-Handle Parts Illustration - Detail E		
ITEM	P/N	DESCRIPTION
1	06687	Valve Cap
2	04052	O-ring*
3	01772	O-ring
4	06684	Sintered Filter
5	22768	Seal Spacer
6	06688	Retaining Ring
7	04051	Charging Valve
8	00844	Roll Pin
9	04053	Trigger
10	10180	Gas Under Pressure Decal
11	22891	Roll Pin
12	02494	Handle Grip
13	04055	Washer
14	04056	Rod Wiper*
15	00293	O-ring*
16	04057	Bushing
17	01362	O-ring*
18	04077	Valve Spool
19	04058	Spring
20	04350	Orifice Plug
21	04049	Breaker Handle
22	01652	Hose
23	03972	Female Coupler
24	02324	Cap - Models BR67120D, BR6713016
25	03288	Cap - Models BR67120D, BR6713016
26	03973	Male Coupler
27	04054	O-ring*
28	04060	Accumulator Cylinder
29	04059	Accumulator Diaphragm
30	04061	Accumulator Chamber
31	04062	Backup Washer
32	04063	Rod Seal*
33	04064	Seal Retainer Washer
34	74667	Tool Name Tag
35	04071	Side Rod
36	73025	Snap-on Filler - Model BR67120
37	74832	STANLEY Logo Decal
38	04075	Side Rod Nut
39	Depends on Model	Breaker Foot (See Detail G & H)
40	04070	Piston
41	04054	O-ring*
42	04066	Automatic Valve Body
43	04571	Push Pin
44	04065	Automatic Valve
45	07890	Roll Pin
46	04067	Push Pin
47	04069	Flow Sleeve
48	04054	O-ring*

T-Handle Parts Illustration - Detail E		
ITEM	P/N	DESCRIPTION
49	04068	Flow Sleeve Tube
50	04596	Seal Kit (Not Shown) - * In Seal Kit

Anti Vibration Handle Parts Illustration - Detail F		
ITEM	P/N	DESCRIPTION
1	07628	Hex Head Cap Screw
2	26450	Top Plate
3	20511	Lever
4	28369	Handle
5	02494	Handle Grip
6	20500	Roll Pin
7	58529	Handle
8	20541	Spring
9	20498	Spring
10	20508	Pivot Screw
11	26596	Accumulator Valve Block
12	58526	Trigger - Models BR6717801A, BR6717801AA, BR6717802AA
	20502	Trigger - Models BR67125, BR67135, BR6713516,
13	07624	Roll Pin - Models BR6717801A, BR6717801AA, BR6717802AA
14	66828	Spring - Models BR6717801A, BR6717801AA, BR6717802AA
15	58527	Trigger Lock - Models BR6717801A, BR6717801AA, BR6717802AA
16	11207	Circuit Type "D" Decal
17	01652	Hose
18	03972	Female Coupler
19	03973	Male Coupler
20	24067	Retaining Ring
21	04055	Washer
22	04056	Rod Wiper*
23	00293	O-ring*
24	26451	Bushing
25	01362	O-ring*
26	20515	Valve Spool
27	04058	Spring
28	06891	O-ring*
29	31067	Spacer Plug
30	74668	Tool Name Tag
31	04070	Piston
32	04054	O-ring*
33	04066	Automatic Valve Body
34	04571	Push Pin
35	07890	Roll Pin
36	04065	Automatic Valve
37	04067	Push Pin
38	04069	Flow Sleeve
39	04054	O-ring*
40	04068	Flow Sleeve Tube
41	04071	Side Rod
42	74832	STANLEY Logo Decal
43	73025	Snap-on Filler
44	04075	Side Rod Nut

Anti Vibration Handle Parts Illustration - Detail F		
ITEM	P/N	DESCRIPTION
45	11208	Hex Shank Length Decal
46	Depends on Model	Breaker Foot (See Detail G & H)
47	28409	Composite Safety Sticker
48	66654	Sound Power Decal
49	28322	CE Decal
50	04064	Seal Retainer Washer
51	04063	Rod Seal*
52	04062	Backup Washer
53	26448	Spacer
54	16732	O-ring*
55	26452	Sintered Filter
56	04795	O-ring*
57	26574	Accumulator Diaphragm
58	26449	Accumulator Plug
59	20499	Charging Valve
60	07493	Plug
61	04596	Seal Kit (Not Shown) - * In Seal Kit

Breaker Foot Assembly - Detail G				
ITEM	DESCRIPTION	QTY	MODEL	
			BR6713015E, BR67130E	BR6717801A, BR6717801AA, BR6717802A
1	Cup Seal	1	34127	
2	Seal Insert	1	07524 (Must purchase entire foot assembly)	11236 (Must purchase entire foot assembly)
3	Rod Wiper*	1	04074	
4	O-ring*	1	04073	
5	Hex Bushing	1	07524 (Must purchase entire foot assembly)	11236 (Must purchase entire foot assembly)
6	Breaker Foot	1	07524 (Must purchase entire foot assembly)	11236 (Must purchase entire foot assembly)
7	Spring	1	01744	
8	Detent	1	08411	
9	Nut	1	04984	
10	Spring Washer	2	04985	
11	Taper Sleeve	2	01269	
12	Retaining Ring	1	07522	
13	Wear Ring	2	07516	
14	Collar Support	1	07520	12013
15	Spring	1	08158	
16	Latch	1	01837	
17	Foot Latch Bolt	1	04983	

Breaker Foot Assembly - Detail H					
ITEM	DESCRIPTION	QTY	MODEL		
			BR67120, BR67120D, BR67125	BR67130, BR6713016, BR67135, BR6713516	BR67320
1	Cup Seal	1	34127		
2	Seal Insert	1	05466 (Must purchase entire foot assembly)	05467 (Must purchase entire foot assembly)	08855 (Must purchase entire foot assembly)
3	Rod Wiper*	1	04074		
4	O-ring*	1	04073		
5	Breaker Foot	1	05466 (Must purchase entire foot assembly)	05467 (Must purchase entire foot assembly)	08855 (Must purchase entire foot assembly)
6	Hex Bushing	1	05466 (Must purchase entire foot assembly)	05467 (Must purchase entire foot assembly)	08855 (Must purchase entire foot assembly)
7	Spring	1	01744		
8	Detent	1	08411		
9	Nut	1	04984		
10	Spring Washer	2	04985		
11	Taper Sleeve	2	01269		
12	Latch	1	01837		
13	Foot Latch Bolt	1	04983		